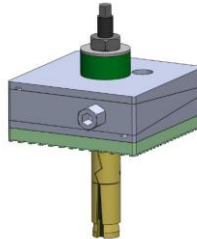
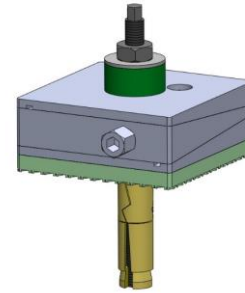


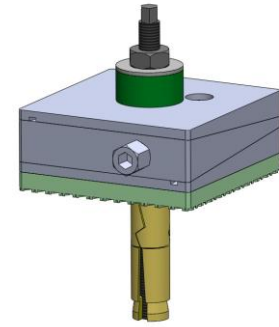
DTOP1



DTOP3



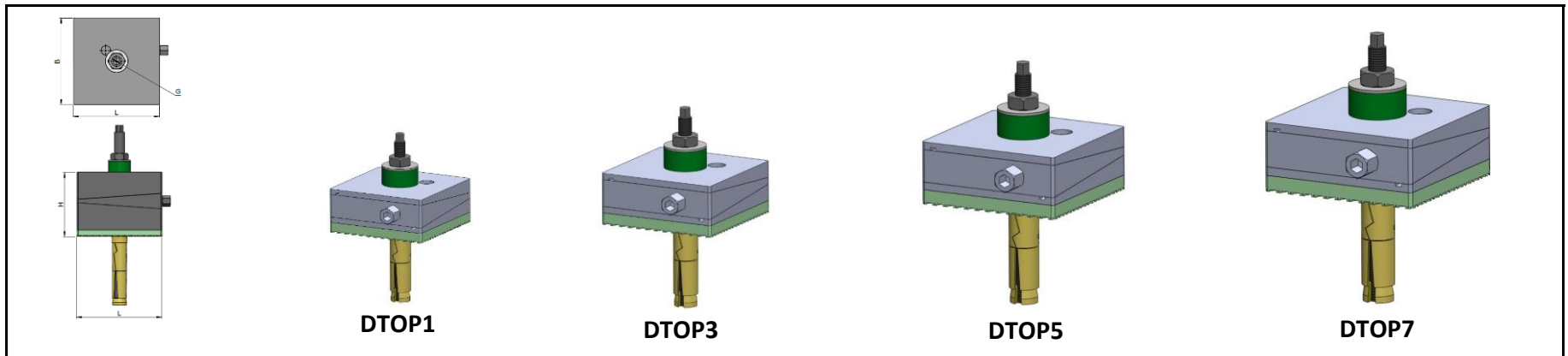
DTOP5



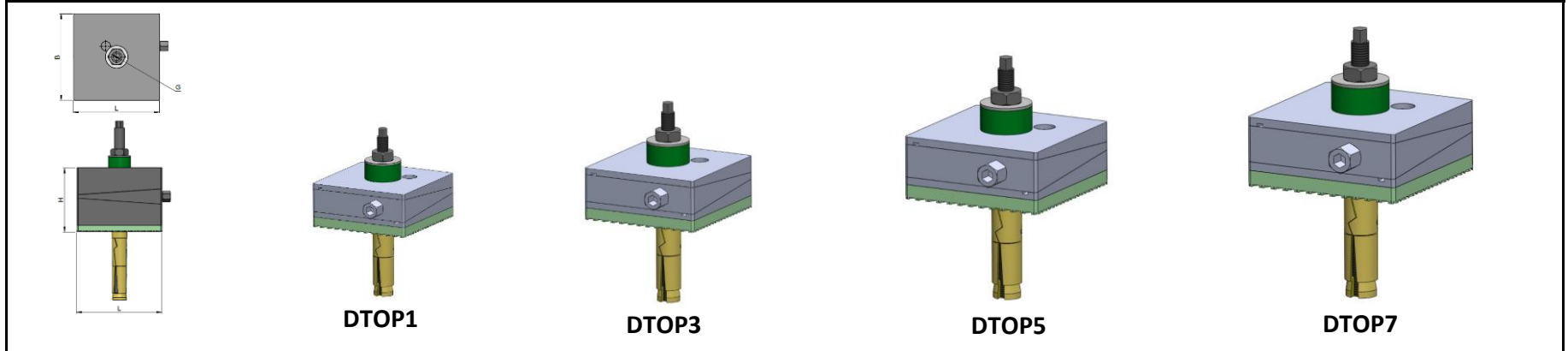
DTOP7

Dynemech Wedge mounts, Series DTOP-100 mounts is designed for machines which are top heavy or have eccentric motion or machines which must be anchored to the ground. Boring machine, Drilling and milling machines, machining centres, special purpose machines, long lathes, long planers, power presses etc.

Model	Load Capacity Kg/pc	Length (L) mm	Width (B) mm	Height (H) at mean position (mm)	BORE* Ø(mm)	Adjustment Range (mm)	Bottom pad Type	Bottom pad Thickness (mm)	SW1 (mm)	SW2 (mm)	Coeff. of Friction against Concrete	Natural Frequency at Max. Load (Hz)	Temperature Range (°C)	Color	Applications
DTOP1-u-100-26T-FG-GR	1100	115	115	100	26	+4/-4	Du	15	19	10	0.9	18	From -16 to 90	Dark Grey/Green	Applications: Tool Room Machines, Plastic Injection Moulding Machines, Pressure Die Casting Machines, Shaper, Printing and Textile Machines etc.
DTOP2-u-100-26T-FG-GR	1800	150	150	100	26	+5/-5	Du	15	22	12	0.9	18	From -16 to 90	Dark Grey/Green	
DTOP3-u-100-32T-FG-GR	3200	200	200	100	32	+6/-6	Du	15	22	12	0.9	18	From -16 to 90	Dark Grey/Green	
DTOP4-u-100-32T-FG-GR	4000	200	250	100	32	+9/-9	Du	15	27	14	0.9	18	From -16 to 90	Dark Grey/Green	
DTOP5-u-100-42T-FG-GR	6400	250	320	100	42	+9/-9	Du	15	32	18	0.9	18	From -16 to 90	Dark Grey/Green	
DTOP6-u-100-42T-FG-GR	9600	300	400	100	42	+10/-10	Du	15	32	18	0.9	18	From -16 to 90	Dark Grey/Green	
DTOP7-u-100-42T-FG-GR	16000	400	500	100	42	+10/-10	Du	15	39	22	0.9	18	From -16 to 90	Dark Grey/Green	
DTOP1-u-10-95-26T-FG-GR	1100	115	115	95	26	+4/-4	Du-10	10	19	10	0.9	25	From -16 to 90	Dark Grey/Green	Applications: Tool Room Machines, Plastic Injection Moulding Machines, Pressure Die Casting Machines, Shaper, Printing and Textile Machines etc.
DTOP2-u-10-95-26T-FG-GR	1800	150	150	95	26	+5/-5	Du-10	10	22	12	0.9	25	From -16 to 90	Dark Grey/Green	
DTOP3-u-10-95-32T-FG-GR	3200	200	200	95	32	+6/-6	Du-10	10	22	12	0.9	25	From -16 to 90	Dark Grey/Green	
DTOP4-u-10-95-32T-FG-GR	4000	200	250	95	32	+9/-9	Du-10	10	27	14	0.9	25	From -16 to 90	Dark Grey/Green	
DTOP5-u-10-95-42T-FG-GR	6400	250	320	95	42	+9/-9	Du-10	10	32	18	0.9	25	From -16 to 90	Dark Grey/Green	
DTOP6-u-10-95-42T-FG-GR	9600	300	400	95	42	+10/-10	Du-10	10	32	18	0.9	25	From -16 to 90	Dark Grey/Green	
DTOP7-u-10-95-42T-FG-GR	16000	400	500	95	42	+10/-10	Du-10	10	39	22	0.9	25	From -16 to 90	Dark Grey/Green	
DTOP1-u-12-97-26T-FG-GR	1100	115	115	97	26	+4/-4	Du-12	12	19	10	0.9	20	From -16 to 90	Dark Grey/Green	Applications: Tool Room Machines, Plastic Injection Moulding Machines, Pressure Die Casting Machines, Shaper, Printing and Textile Machines etc.
DTOP2-u-12-97-26T-FG-GR	1800	150	150	97	26	+5/-5	Du-12	12	22	12	0.9	20	From -16 to 90	Dark Grey/Green	
DTOP3-u-12-97-32T-FG-GR	3200	200	200	97	32	+6/-6	Du-12	12	22	12	0.9	20	From -16 to 90	Dark Grey/Green	
DTOP4-u-12-97-32T-FG-GR	4000	200	250	97	32	+9/-9	Du-12	12	27	14	0.9	20	From -16 to 90	Dark Grey/Green	
DTOP5-u-12-97-42T-FG-GR	6400	250	320	97	42	+9/-9	Du-12	12	32	18	0.9	20	From -16 to 90	Dark Grey/Green	
DTOP6-u-12-97-42T-FG-GR	9600	300	400	97	42	+10/-10	Du-12	12	32	18	0.9	20	From -16 to 90	Dark Grey/Green	
DTOP7-u-12-97-42T-FG-GR	16000	400	500	97	42	+10/-10	Du-12	12	39	22	0.9	20	From -16 to 90	Dark Grey/Green	

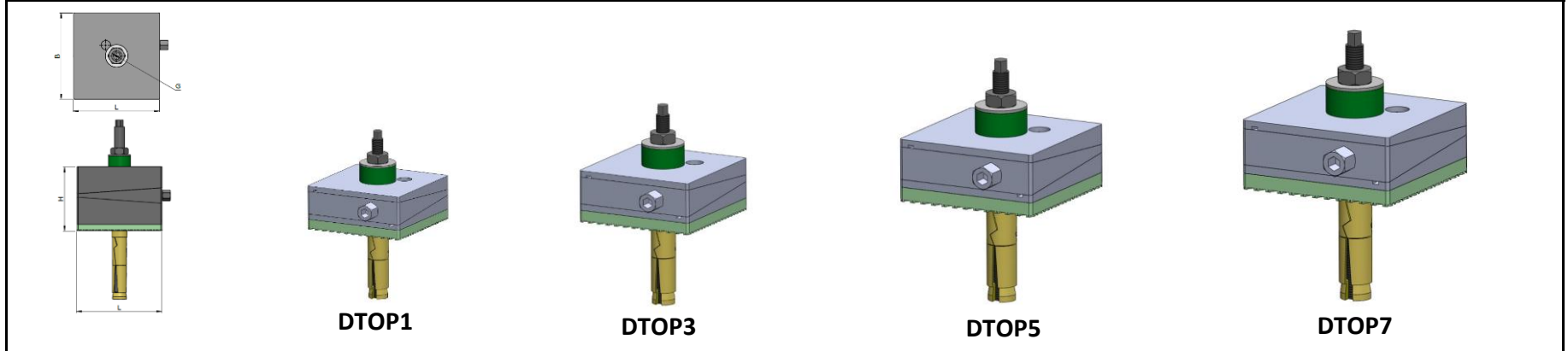


Model	Load Capacity Kg/pc	Length (L) mm	Width (B) mm	Height (H) at mean position (mm)	BORE* Ø(mm)	Adjustment Range (mm)	Bottom pad Type	Bottom pad Thickness (mm)	SW1 (mm)	SW2 (mm)	Coeff. of Friction against Concrete	Natural Frequency at Max. Load (Hz)	Temperature Range (°C)	Color	Applications
DTOP1-m-100-26T-FG-GR	1400	115	115	100	26	+4/-4	Dm	15	19	10	0.7	30	From -16 to 90	Dark Grey/Green	Applications: Power Presses, Stamping Machines, Shearing Machines, Punching Machines. For machines with high vertical impact.
DTOP2-m-100-26T-FG-GR	2200	150	150	100	26	+5/-5	Dm	15	22	12	0.7	30	From -16 to 90	Dark Grey/Green	
DTOP3-m-100-32T-FG-GR	4000	200	200	100	32	+6/-6	Dm	15	22	12	0.7	30	From -16 to 90	Dark Grey/Green	
DTOP4-m-100-32T-FG-GR	5000	200	250	100	32	+9/-9	Dm	15	27	14	0.7	30	From -16 to 90	Dark Grey/Green	
DTOP5-m-100-42T-FG-GR	8000	250	320	100	42	+9/-9	Dm	15	32	18	0.7	30	From -16 to 90	Dark Grey/Green	
DTOP6-m-100-42T-FG-GR	12000	300	400	100	42	+10/-10	Dm	15	32	18	0.7	30	From -16 to 90	Dark Grey/Green	
DTOP7-m-100-42T-FG-GR	20000	400	500	100	42	+10/-10	Dm	15	39	22	0.7	30	From -16 to 90	Dark Grey/Green	

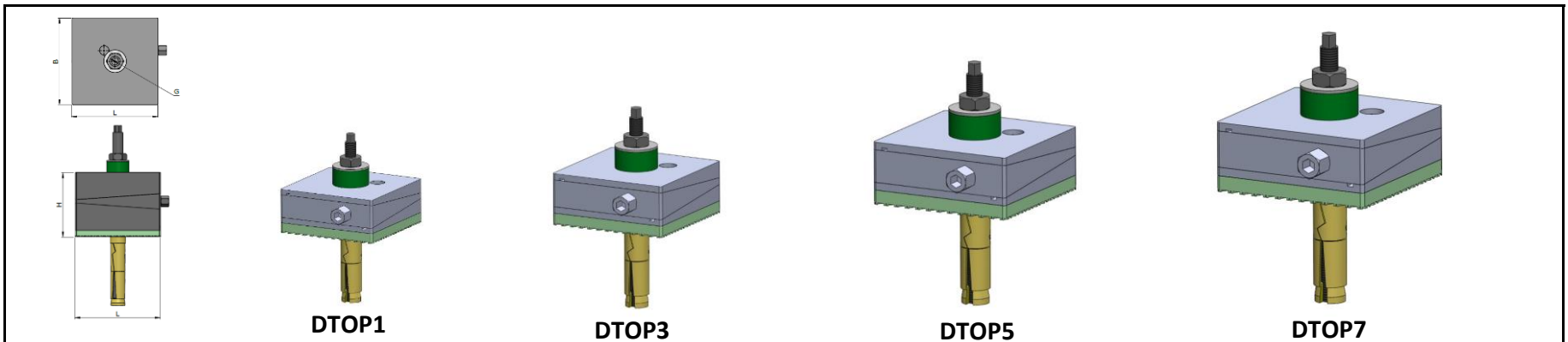


Model	Load Capacity Kg/pc	Length (L) mm	Width (B) mm	Height (H) at mean position (mm)	BORE* Ø(mm)	Adjustment Range (mm)	Bottom pad Type	Bottom pad Thickness (mm)	SW1 (mm)	SW2 (mm)	Coeff. of Friction against Concrete	Natural Frequency at Max. Load (Hz)	Temperature Range (°C)	Color	Applications
DTOP1-i-110-26T-FG-GR	1800	115	115	110	26	+4/-4	Di	25	19	10	0.8	7	From -16 to 90	Dark Grey/Green	Applications: Power Presses, Stamping Machines, Shearing Machines, Punching Machines. For machines with high vertical impact.
DTOP2-i-110-26T-FG-GR	2900	150	150	110	26	+5/-5	Di	25	22	12	0.8	7	From -16 to 90	Dark Grey/Green	
DTOP3-i-110-32T-FG-GR	5200	200	200	110	32	+6/-6	Di	25	22	12	0.8	7	From -16 to 90	Dark Grey/Green	
DTOP4-i-110-32T-FG-GR	6500	200	250	110	32	+9/-9	Di	25	27	14	0.8	7	From -16 to 90	Dark Grey/Green	
DTOP5-i-110-42T-FG-GR	10000	250	320	110	42	+9/-9	Di	25	32	18	0.8	7	From -16 to 90	Dark Grey/Green	

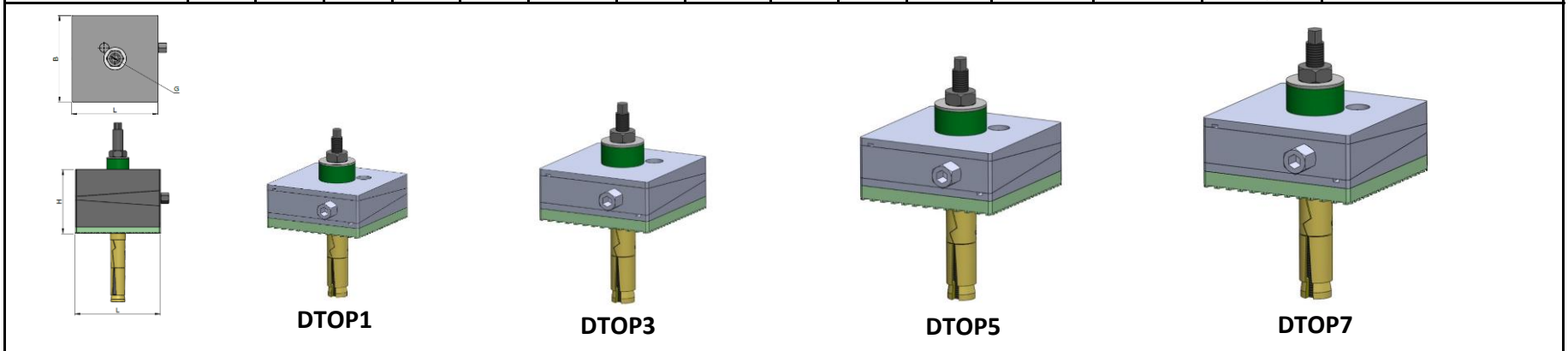
DTOP6-i-110-42T-FG-GR	15000	300	400	110	42	+10/-10	Di	25	32	18	0.8	7	From -16 to 90	Dark Grey/Green	vertical impact.
DTOP7-i-110-42T-FG-GR	26000	400	500	110	42	+10/-10	Di	25	39	22	0.8	7	From -16 to 90	Dark Grey/Green	



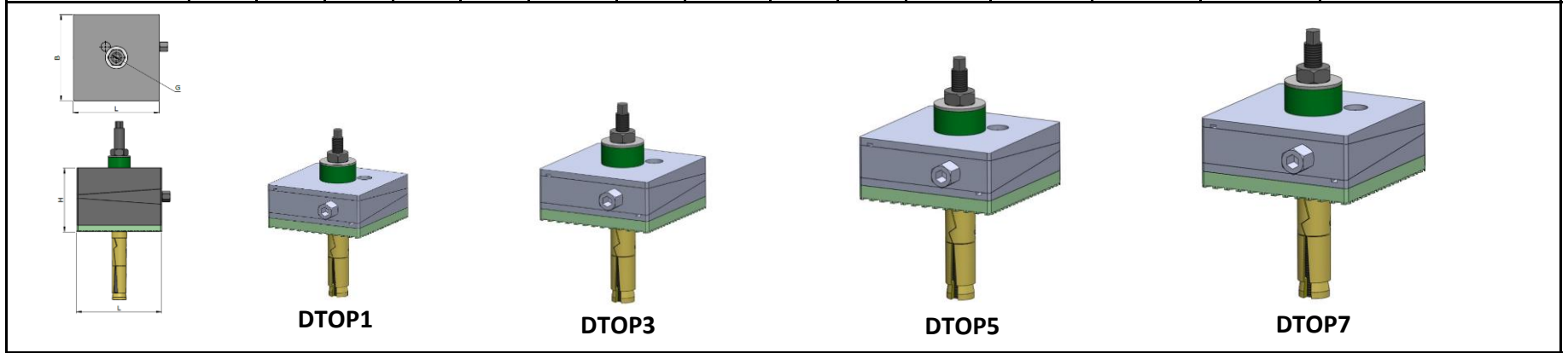
Model	Load Capacity Kg/pc	Length (L) mm	Width (B) mm	Height (H) at mean position (mm)	BORE* Ø(mm)	Adjustment Range (mm)	Bottom pad Type	Bottom pad Thickness (mm)	SW1 (mm)	SW2 (mm)	Coeff. of Friction against Concrete	Natural Frequency at Max. Load (Hz)	Temperature Range (°C)	Color	Applications
DTOP1-p1-100-26T-FG-GR	530	115	115	100	26	+4/-4	Dp1	15	19	10	0.8	7	From -16 to 90	Dark Grey/Green	Applications: Power Presses, Stamping Machines, Shearing Machines, Punching Machines. For machines with high vertical impact.
DTOP2-p1-100-26T-FG-GR	900	150	150	100	26	+5/-5	Dp1	15	22	12	0.8	7	From -16 to 90	Dark Grey/Green	
DTOP3-p1-100-32T-FG-GR	1600	200	200	100	32	+6/-6	Dp1	15	22	12	0.8	7	From -16 to 90	Dark Grey/Green	
DTOP4-p1-100-32T-FG-GR	2000	200	250	100	32	+9/-9	Dp1	15	27	14	0.8	7	From -16 to 90	Dark Grey/Green	
DTOP5-p1-100-42T-FG-GR	3200	250	320	100	42	+9/-9	Dp1	15	32	18	0.8	7	From -16 to 90	Dark Grey/Green	
DTOP6-p1-100-42T-FG-GR	4800	300	400	100	42	+10/-10	Dp1	15	32	18	0.8	7	From -16 to 90	Dark Grey/Green	
DTOP7-p1-100-42T-FG-GR	8000	400	500	100	42	+10/-10	Dp1	15	39	22	0.8	7	From -16 to 90	Dark Grey/Green	
DTOP1-p2-105-26T-FG-GR	660	115	115	105	26	+4/-4	Dp2	20	19	10	0.8	12	From -16 to 90	Dark Grey/Green	Applications: Medium Presses, Punching Presses, Centreless Grinding Machines, Gear Shapers, High Speed Machines on upper floors.
DTOP2-p2-105-26T-FG-GR	1130	150	150	105	26	+5/-5	Dp2	20	22	12	0.8	12	From -16 to 90	Dark Grey/Green	
DTOP3-p2-105-32T-FG-GR	2000	200	200	105	32	+6/-6	Dp2	20	22	12	0.8	12	From -16 to 90	Dark Grey/Green	
DTOP4-p2-105-32T-FG-GR	2500	200	250	105	32	+9/-9	Dp2	20	27	14	0.8	12	From -16 to 90	Dark Grey/Green	
DTOP5-p2-105-42T-FG-GR	4000	250	320	105	42	+9/-9	Dp2	20	32	18	0.8	12	From -16 to 90	Dark Grey/Green	
DTOP6-p2-105-42T-FG-GR	6000	300	400	105	42	+10/-10	Dp2	20	32	18	0.8	12	From -16 to 90	Dark Grey/Green	
DTOP7-p2-105-42T-FG-GR	10000	400	500	105	42	+10/-10	Dp2	20	39	22	0.8	12	From -16 to 90	Dark Grey/Green	
DTOP1-p3-109-26T-FG-GR	790	115	115	109	26	+4/-4	Dp3	24	19	10	0.8	7	From -16 to 90	Dark Grey/Green	Applications: Tool Room Machines on suspended Floors, Light Weight Presses, Compressors etc.
DTOP2-p3-109-26T-FG-GR	1350	150	150	109	26	+5/-5	Dp3	24	22	12	0.8	7	From -16 to 90	Dark Grey/Green	
DTOP3-p3-109-32T-FG-GR	2400	200	200	109	32	+6/-6	Dp3	24	22	12	0.8	7	From -16 to 90	Dark Grey/Green	
DTOP4-p3-109-32T-FG-GR	3000	200	250	109	32	+9/-9	Dp3	24	27	14	0.8	7	From -16 to 90	Dark Grey/Green	
DTOP5-p3-109-42T-FG-GR	4800	250	320	109	42	+9/-9	Dp3	24	32	18	0.8	7	From -16 to 90	Dark Grey/Green	
DTOP6-p3-109-42T-FG-GR	7200	300	400	109	42	+10/-10	Dp3	24	32	18	0.8	7	From -16 to 90	Dark Grey/Green	
DTOP7-p3-109-42T-FG-GR	12000	400	500	109	42	+10/-10	Dp3	24	39	22	0.8	7	From -16 to 90	Dark Grey/Green	



Model	Load Capacity Kg/pc	Length (L) mm	Width (B) mm	Height (H) at mean position (mm)	BORE* Ø(mm)	Adjustment Range (mm)	Bottom pad Type	Bottom pad Thickness (mm)	SW1 (mm)	SW2 (mm)	Coeff. of Friction against Concrete	Natural Frequency at Max. Load (Hz)	Temperature Range (°C)	Color	Applications
DTOP1-s1-105-26T-FG-GR	660	115	115	105	26	+4/-4	Ds1	20	19	10	0.8	15	From -16 to 90	Dark Grey/Green	Applications: Tool Room Machines, Plastic Injection Moulding Machines, Pressure Die Casting Machines, Shaper, Printing and Textile Machines etc.
DTOP2-s1-105-26T-FG-GR	1130	150	150	105	26	+5/-5	Ds1	20	22	12	0.8	15	From -16 to 90	Dark Grey/Green	
DTOP3-s1-105-32T-FG-GR	2000	200	200	105	32	+6/-6	Ds1	20	22	12	0.8	15	From -16 to 90	Dark Grey/Green	
DTOP4-s1-105-32T-FG-GR	2500	200	250	105	32	+9/-9	Ds1	20	27	14	0.8	15	From -16 to 90	Dark Grey/Green	
DTOP5-s1-105-42T-FG-GR	4000	250	320	105	42	+9/-9	Ds1	20	32	18	0.8	15	From -16 to 90	Dark Grey/Green	
DTOP6-s1-105-42T-FG-GR	6000	300	400	105	42	+10/-10	Ds1	20	32	18	0.8	15	From -16 to 90	Dark Grey/Green	
DTOP7-s1-105-42T-FG-GR	10000	400	500	105	42	+10/-10	Ds1	20	39	22	0.8	15	From -16 to 90	Dark Grey/Green	
DTOP1-s2-110-26T-FG-GR	950	115	115	110	26	+4/-4	Ds2	25	19	10	0.8	8	From -16 to 90	Dark Grey/Green	Applications: Power Presses, Stamping Machines, Shearing Machines, Punching Machines. For machines with high vertical impact.
DTOP2-s2-110-26T-FG-GR	1600	150	150	110	26	+5/-5	Ds2	25	22	12	0.8	8	From -16 to 90	Dark Grey/Green	
DTOP3-s2-110-32T-FG-GR	2800	200	200	110	32	+6/-6	Ds2	25	22	12	0.8	8	From -16 to 90	Dark Grey/Green	
DTOP4-s2-110-32T-FG-GR	3500	200	250	110	32	+9/-9	Ds2	25	27	14	0.8	8	From -16 to 90	Dark Grey/Green	
DTOP5-s2-110-42T-FG-GR	5500	250	320	110	42	+9/-9	Ds2	25	32	18	0.8	8	From -16 to 90	Dark Grey/Green	
DTOP6-s2-110-42T-FG-GR	8500	300	400	110	42	+10/-10	Ds2	25	32	18	0.8	8	From -16 to 90	Dark Grey/Green	
DTOP7-s2-110-42T-FG-GR	14000	400	500	110	42	+10/-10	Ds2	25	39	22	0.8	8	From -16 to 90	Dark Grey/Green	



Model	Load Capacity Kg/pc	Length (L) mm	Width (B) mm	Height (H) at mean position (mm)	BORE* Ø(mm)	Adjustment Range (mm)	Bottom pad Type	Bottom pad Thickness (mm)	SW1 (mm)	SW2 (mm)	Coeff. of Friction against Concrete	Natural Frequency at Max. Load (Hz)	Temperature Range (°C)	Color	Applications
DTOP1-hs1-150-26T-FG-GR	2650	115	115	150	26	+4/-4	Dhs1	65	19	10	0.8	6	From -16 to 90	Dark Grey/Green	Applications : Forging Hammers, Heavy Gen Sets, Heavy Industrial machines, Test Rigs, Heavy presses etc.
DTOP2-hs1-150-26T-FG-GR	4500	150	150	150	26	+5/-5	Dhs1	65	22	12	0.8	6	From -16 to 90	Dark Grey/Green	
DTOP3-hs1-150-32T-FG-GR	8000	200	200	150	32	+6/-6	Dhs1	65	22	12	0.8	6	From -16 to 90	Dark Grey/Green	
DTOP4-hs1-150-32T-FG-GR	14000	200	250	150	32	+9/-9	Dhs1	65	27	14	0.8	6	From -16 to 90	Dark Grey/Green	
DTOP5-hs1-150-42T-FG-GR	16000	250	320	150	42	+9/-9	Dhs1	65	32	18	0.8	6	From -16 to 90	Dark Grey/Green	
DTOP6-hs1-150-42T-FG-GR	24000	300	400	150	42	+10/-10	Dhs1	65	32	18	0.8	6	From -16 to 90	Dark Grey/Green	
DTOP7-hs1-150-42T-FG-GR	40000	400	500	150	42	+10/-10	Dhs1	65	39	22	0.8	6	From -16 to 90	Dark Grey/Green	
DTOP1-hs2-150-26T-FG-GR	1060	115	115	150	26	+4/-4	Dhs2	65	19	10	0.8	4	From -16 to 90	Dark Grey/Green	Applications : Forging Hammers, Heavy Gen Sets, Heavy Industrial machines, Test Rigs, Heavy presses, crushers etc.
DTOP2-hs2-150-26T-FG-GR	1800	150	150	150	26	+5/-5	Dhs2	65	22	12	0.8	4	From -16 to 90	Dark Grey/Green	
DTOP3-hs2-150-32T-FG-GR	3200	200	200	150	32	+6/-6	Dhs2	65	22	12	0.8	4	From -16 to 90	Dark Grey/Green	
DTOP4-hs2-150-32T-FG-GR	4000	200	250	150	32	+9/-9	Dhs2	65	27	14	0.8	4	From -16 to 90	Dark Grey/Green	
DTOP5-hs2-150-42T-FG-GR	6400	250	320	150	42	+9/-9	Dhs2	65	32	18	0.8	4	From -16 to 90	Dark Grey/Green	
DTOP6-hs2-150-42T-FG-GR	9600	300	400	150	42	+10/-10	Dhs2	65	32	18	0.8	4	From -16 to 90	Dark Grey/Green	
DTOP7-hs2-150-42T-FG-GR	16000	400	500	150	42	+10/-10	Dhs2	65	39	22	0.8	4	From -16 to 90	Dark Grey/Green	
DTOP1-hs3-135-26T-FG-GR	3700	115	115	135	26	+4/-4	Dhs3	50	19	10	0.8	7	From -16 to 90	Dark Grey/Green	Applications : Forging Hammers, Heavy Gen Sets, Heavy Industrial machines, Test Rigs, Heavy presses etc.
DTOP2-hs3-135-26T-FG-GR	6300	150	150	135	26	+5/-5	Dhs3	50	22	12	0.8	7	From -16 to 90	Dark Grey/Green	
DTOP3-hs3-135-32T-FG-GR	11200	200	200	135	32	+6/-6	Dhs3	50	22	12	0.8	7	From -16 to 90	Dark Grey/Green	
DTOP4-hs3-135-32T-FG-GR	14000	200	250	135	32	+9/-9	Dhs3	50	27	14	0.8	7	From -16 to 90	Dark Grey/Green	
DTOP5-hs3-135-42T-FG-GR	22400	250	320	135	42	+9/-9	Dhs3	50	32	18	0.8	7	From -16 to 90	Dark Grey/Green	
DTOP6-hs3-135-42T-FG-GR	33600	300	400	135	42	+10/-10	Dhs3	50	32	18	0.8	7	From -16 to 90	Dark Grey/Green	
DTOP7-hs3-135-42T-FG-GR	56000	400	500	135	42	+10/-10	Dhs3	50	39	22	0.8	7	From -16 to 90	Dark Grey/Green	
DTOP1-hs4-135-26T-FG-GR	1590	115	115	135	26	+4/-4	Dhs4	50	19	10	0.8	5	From -16 to 90	Dark Grey/Green	Applications : Forging Hammers, Heavy Gen Sets, Heavy Industrial machines, Test Rigs, Heavy presses, crushers etc.
DTOP2-hs4-135-26T-FG-GR	2700	150	150	135	26	+5/-5	Dhs4	50	22	12	0.8	5	From -16 to 90	Dark Grey/Green	
DTOP3-hs4-135-32T-FG-GR	4800	200	200	135	32	+6/-6	Dhs4	50	22	12	0.8	5	From -16 to 90	Dark Grey/Green	
DTOP4-hs4-135-32T-FG-GR	6000	200	250	135	32	+9/-9	Dhs4	50	27	14	0.8	5	From -16 to 90	Dark Grey/Green	
DTOP5-hs4-135-42T-FG-GR	9600	250	320	135	42	+9/-9	Dhs4	50	32	18	0.8	5	From -16 to 90	Dark Grey/Green	
DTOP6-hs4-135-42T-FG-GR	14000	300	400	135	42	+10/-10	Dhs4	50	32	18	0.8	5	From -16 to 90	Dark Grey/Green	
DTOP7-hs4-135-42T-FG-GR	24000	400	500	135	42	+10/-10	Dhs4	50	39	22	0.8	5	From -16 to 90	Dark Grey/Green	
DTOP1-hs5-165-26T-FG-GR	3700	115	115	165	26	+4/-4	Dhs5	80	19	10	0.8	5	From -16 to 90	Dark Grey/Green	Applications : Forging Hammers, Heavy Gen Sets, Heavy Industrial machines, Test Rigs, Heavy presses etc.
DTOP2-hs5-165-26T-FG-GR	6300	150	150	165	26	+5/-5	Dhs5	80	22	12	0.8	5	From -16 to 90	Dark Grey/Green	
DTOP3-hs5-165-32T-FG-GR	11200	200	200	165	32	+6/-6	Dhs5	80	22	12	0.8	5	From -16 to 90	Dark Grey/Green	
DTOP4-hs5-165-32T-FG-GR	14000	200	250	165	32	+9/-9	Dhs5	80	27	14	0.8	5	From -16 to 90	Dark Grey/Green	
DTOP5-hs5-165-42T-FG-GR	22400	250	320	165	42	+9/-9	Dhs5	80	32	18	0.8	5	From -16 to 90	Dark Grey/Green	
DTOP6-hs5-165-42T-FG-GR	33600	300	400	165	42	+10/-10	Dhs5	80	32	18	0.8	5	From -16 to 90	Dark Grey/Green	
DTOP7-hs5-165-42T-FG-GR	56000	400	500	165	42	+10/-10	Dhs5	80	39	22	0.8	5	From -16 to 90	Dark Grey/Green	



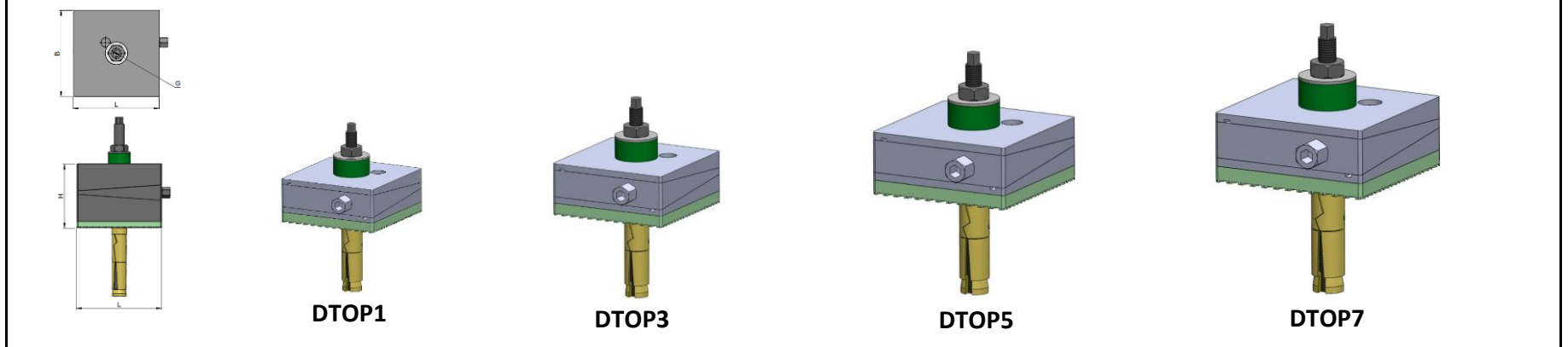
DTOP1

DTOP3

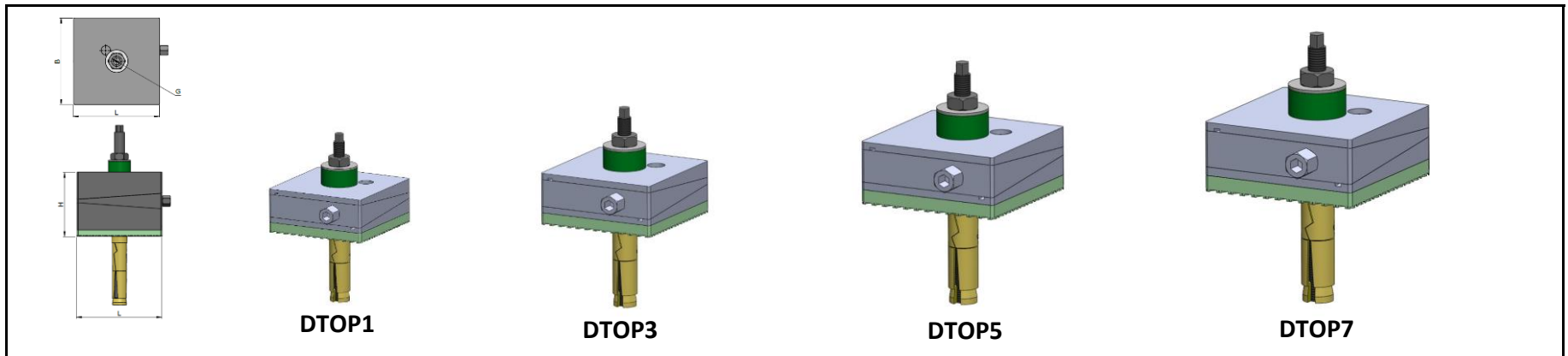
DTOP5

DTOP7

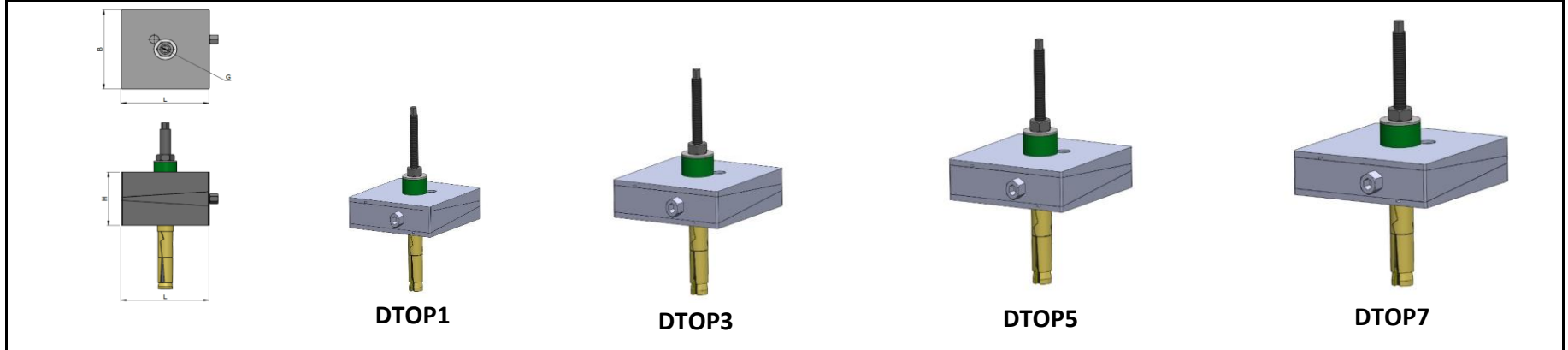
Model	Load Capacity Kg/pc	Length (L) mm	Width (B) mm	Height (H) at mean position (mm)	BORE* Ø(mm)	Adjustment Range (mm)	Bottom pad Type	Bottom pad Thickness (mm)	SW1 (mm)	SW2 (mm)	Coeff. of Friction against Concrete	Natural Frequency at Max. Load (Hz)	Temperature Range (°C)	Color	Applications
DTOP1-h-100-26T-FG-GR	3970	115	115	100	26	+4/-4	Dh	15	19	10	0.6	45	From -16 to 90	Dark Grey/Green	Applications : Very Heavy and long bed machines, long machining centres, planners etc.
DTOP2-h-100-26T-FG-GR	6750	150	150	100	26	+5/-5	Dh	15	22	12	0.6	45	From -16 to 90	Dark Grey/Green	
DTOP3-h-100-32T-FG-GR	12000	200	200	100	32	+6/-6	Dh	15	22	12	0.6	45	From -16 to 90	Dark Grey/Green	
DTOP4-h-100-32T-FG-GR	15000	200	250	100	32	+9/-9	Dh	15	27	14	0.6	45	From -16 to 90	Dark Grey/Green	
DTOP5-h-100-42T-FG-GR	24000	250	320	100	42	+9/-9	Dh	15	32	18	0.6	45	From -16 to 90	Dark Grey/Green	
DTOP6-h-100-42T-FG-GR	36000	300	400	100	42	+10/-10	Dh	15	32	18	0.6	45	From -16 to 90	Dark Grey/Green	
DTOP7-h-100-42T-FG-GR	60000	400	500	100	42	+10/-10	Dh	15	39	22	0.6	45	From -16 to 90	Dark Grey/Green	



Model	Load Capacity Kg/pc	Length (L) mm	Width (B) mm	Height (H) at mean position (mm)	BORE* Ø(mm)	Adjustment Range (mm)	Bottom pad Type	Bottom pad Thickness (mm)	SW1 (mm)	SW2 (mm)	Coeff. of Friction against Concrete	Natural Frequency at Max. Load (Hz)	Temperature Range (°C)	Color	Applications
DTOP1-a1-87-26T-FG-GR	2380	115	115	87	26	+4/-4	Da1	2	19	10	0.8	70	From -16 to 90	Dark Grey/Green	
DTOP2-a1-87-26T-FG-GR	4050	150	150	87	26	+5/-5	Da1	2	22	12	0.8	70	From -16 to 90	Dark Grey/Green	
DTOP3-a1-87-32T-FG-GR	7200	200	200	87	32	+6/-6	Da1	2	22	12	0.8	70	From -16 to 90	Dark Grey/Green	
DTOP4-a1-87-32T-FG-GR	9000	200	250	87	32	+9/-9	Da1	2	27	14	0.8	70	From -16 to 90	Dark Grey/Green	
DTOP5-a1-87-42T-FG-GR	14400	250	320	87	42	+9/-9	Da1	2	32	18	0.8	70	From -16 to 90	Dark Grey/Green	
DTOP6-a1-87-42T-FG-GR	21600	300	400	87	42	+10/-10	Da1	2	32	18	0.8	70	From -16 to 90	Dark Grey/Green	
DTOP7-a1-87-42T-FG-GR	36000	400	500	87	42	+10/-10	Da1	2	39	22	0.8	70	From -16 to 90	Dark Grey/Green	



Model	Load Capacity Kg/pc	Length (L) mm	Width (B) mm	Height (H) at mean position (mm)	BORE* Ø(mm)	Adjustment Range (mm)	Bottom pad Type	Bottom pad Thickness (mm)	SW1 (mm)	SW2 (mm)	Coeff. of Friction against Concrete	Natural Frequency at Max. Load (Hz)	Temperature Range (°C)	Color	Applications
DTOP1-a2-93-26T-FG-GR	1320	115	115	93	26	+4/-4	Da2	8	19	10	0.9	45	From -16 to 90	Dark Grey/Green	
DTOP2-a2-93-26T-FG-GR	2250	150	150	93	26	+5/-5	Da2	8	22	12	0.9	45	From -16 to 90	Dark Grey/Green	
DTOP3-a2-93-32T-FG-GR	4000	200	200	93	32	+6/-6	Da2	8	22	12	0.9	45	From -16 to 90	Dark Grey/Green	
DTOP4-a2-93-32T-FG-GR	6500	200	250	93	32	+9/-9	Da2	8	27	14	0.9	45	From -16 to 90	Dark Grey/Green	
DTOP5-a2-93-42T-FG-GR	8000	250	320	93	42	+9/-9	Da2	8	32	18	0.9	45	From -16 to 90	Dark Grey/Green	
DTOP6-a2-93-42T-FG-GR	12000	300	400	93	42	+10/-10	Da2	8	32	18	0.9	45	From -16 to 90	Dark Grey/Green	
DTOP7-a2-93-42T-FG-GR	20000	400	500	93	42	+10/-10	Da2	8	39	22	0.9	45	From -16 to 90	Dark Grey/Green	



Model	Load Capacity Kg/pc	Length (L) mm	Width (B) mm	Height (H) at mean position (mm)	BORE* Ø(mm)	Adjustment Range (mm)	Bottom pad Type	Bottom pad Thickness (mm)	SW1 (mm)	SW2 (mm)	Coeff. of Friction against Concrete	Natural Frequency at Max. Load (Hz)	Temperature Range (°C)	Color	Applications
DTOP1-85-26T-FG-GR	3600	115	115	85	26	+4/-4	X	X	19	10	X	X	From -16 to 90	Dark Grey/Green	Applications : For levelling of all Precision Machines.
DTOP2-85-26T-FG-GR	3800	150	150	85	26	+5/-5	X	X	22	12	X	X	From -16 to 90	Dark Grey/Green	
DTOP3-85-32T-FG-GR	10400	200	200	85	32	+6/-6	X	X	22	12	X	X	From -16 to 90	Dark Grey/Green	
DTOP4-85-32T-FG-GR	13000	200	250	85	32	+9/-9	X	X	27	14	X	X	From -16 to 90	Dark Grey/Green	
DTOP5-85-42T-FG-GR	20000	250	320	85	42	+9/-9	X	X	32	18	X	X	From -16 to 90	Dark Grey/Green	

DTOP6-85-42T-FG-GR	30000	300	400	85	42	+10/-10	X	X	32	18	X	X	From -16 to 90	Dark Grey/Green
DTOP7-85-42T-FG-GR	40000	400	500	85	42	+10/-10	X	X	39	22	X	X	From -16 to 90	Dark Grey/Green