

DTH1



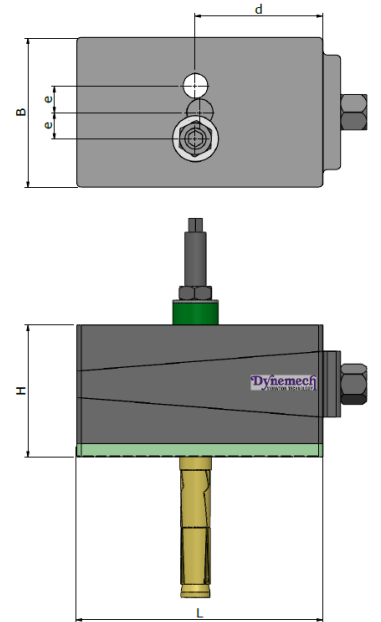
DTH2



DTH3

Dynemech Wedge mounts, Series DTH mounts are sturdy in construction. Designed for machines with high axial dynamic forces and must be anchored to the ground. High levelling adjustment avoids the need of extra shims for installations on steep slope surfaces.

Model	Load Capacity Kg/pc	Length (L) mm	Width (B) mm	Height (H) at mean position (mm)	d (mm)	e (mm)	BORE* (mm)	Adjustment Range (mm)	Bottom pad Type	Bottom pad Thickness (mm)	SW1 (mm)	SW2 (mm)	Coeff. of Friction against Concrete	Natural Frequency at Max. Load (Hz)	Temperature Range (°C)	Color	Applications
DTH1-u-25T-FG-DG	2250	200	125	88	75	25	25	+8/-8	Du	15	22	12	0.9	18	From -16 to 90	Dark Grey/Green	Applications: Tool Room Machines, Plastic Injection Moulding Machines, Pressure Die Casting Machines, Shaper, Printing and Textile Machines etc.
DTH2-u-25T-FG-DG	2700	200	150	120	75	25	25	+10/-10	Du	15	22	12	0.9	18	From -16 to 90	Dark Grey/Green	
DTH3-u-28T-FG-DG	4200	280	170	150	145	30	28	+12.5/-12.5	Du	15	39	22	0.9	18	From -16 to 90	Dark Grey/Green	
DTH1-u-10-25T-FG-DG	2250	200	125	83	75	25	25	+8/-8	Du-10	10	22	12	0.9	25	From -16 to 90	Dark Grey/Green	Applications: Tool Room Machines, Plastic Injection Moulding Machines, Pressure Die Casting Machines, Shaper, Printing and Textile Machines etc.
DTH2-u-10-25T-FG-DG	2700	200	150	115	75	25	25	+10/-10	Du-10	10	22	12	0.9	25	From -16 to 90	Dark Grey/Green	
DTH3-u-10-28T-FG-DG	4200	280	170	145	145	30	28	+12.5/-12.5	Du-10	10	39	22	0.9	25	From -16 to 90	Dark Grey/Green	
DTH1-u-12-25T-FG-DG	2250	200	125	85	75	25	25	+8/-8	Du-12	12	22	12	0.9	20	From -16 to 90	Dark Grey/Green	Applications: Tool Room Machines, Plastic Injection Moulding Machines, Pressure Die Casting Machines, Shaper, Printing and Textile Machines etc.
DTH2-u-12-25T-FG-DG	2700	200	150	117	75	25	25	+10/-10	Du-12	12	22	12	0.9	20	From -16 to 90	Dark Grey/Green	
DTH3-u-12-28T-FG-DG	4200	280	170	147	145	30	28	+12.5/-12.5	Du-12	12	39	22	0.9	20	From -16 to 90	Dark Grey/Green	



DTH1

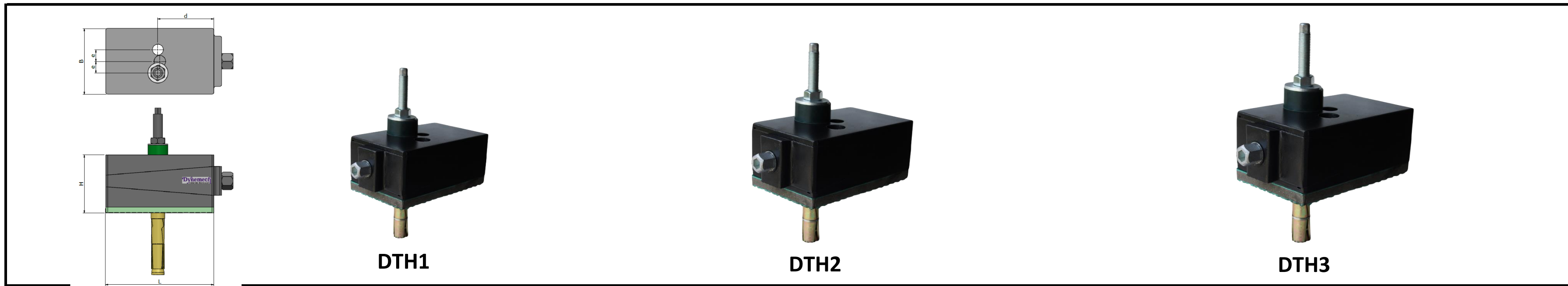


DTH2



DTH3

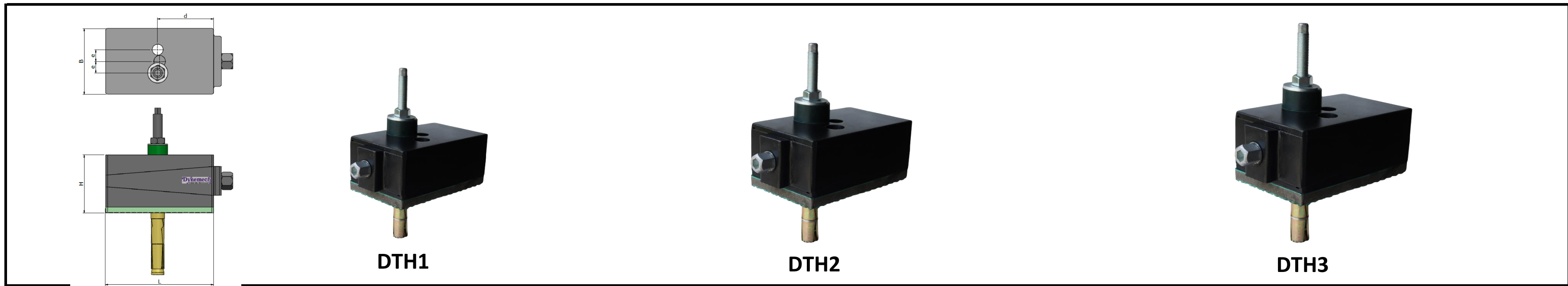
Model	Load Capacity Kg/pc	Length (L) mm	Width (B) mm	Height (H) at mean position (mm)	d (mm)	e (mm)	BORE* (mm)	Adjustment Range (mm)	Bottom pad Type	Bottom pad Thickness (mm)	SW1 (mm)	SW2 (mm)	Coeff. of Friction against Concrete	Natural Frequency at Max. Load (Hz)	Temperature Range (°C)	Color	Applications
DTH1-m-25T-FG-DG	2500	200	125	88	75	25	25	+8/-8	Dm	15	22	12	0.7	30	From -16 to 90	Dark Grey/Green	Applications: Power Presses, Stamping Machines, Shearing Machines, Punching Machines. For machines with high vertical impact.
DTH2-m-25T-FG-DG	3000	200	150	120	75	25	25	+10/-10	Dm	15	22	12	0.7	30	From -16 to 90	Dark Grey/Green	
DTH3-m-28T-FG-DG	4600	280	170	150	145	30	28	+12.5/-12.5	Dm	15	39	22	0.7	30	From -16 to 90	Dark Grey/Green	



Model	Load Capacity Kg/pc	Length (L) mm	Width (B) mm	Height (H) at mean position (mm)	d (mm)	e (mm)	BORE* (mm)	Adjustment Range (mm)	Bottom pad Type	Bottom pad Thickness (mm)	SW1 (mm)	SW2 (mm)	Coeff. of Friction against Concrete	Natural Frequency at Max. Load (Hz)	Temperature Range (°C)	Color	Applications
DTH1-i-25T-FG-DG	3500	200	125	98	75	25	25	+8/-8	Di	25	22	12	0.8	7	From -16 to 90	Dark Grey/Green	Applications: Power Presses, Stamping Machines, Shearing Machines, Punching Machines. For machines with high vertical impact.
DTH2-i-25T-FG-DG	4200	200	150	130	75	25	25	+10/-10	Di	25	22	12	0.8	7	From -16 to 90	Dark Grey/Green	
DTH3-i-28T-FG-DG	6400	280	170	160	145	30	28	+12.5/-12.5	Di	25	39	22	0.8	7	From -16 to 90	Dark Grey/Green	



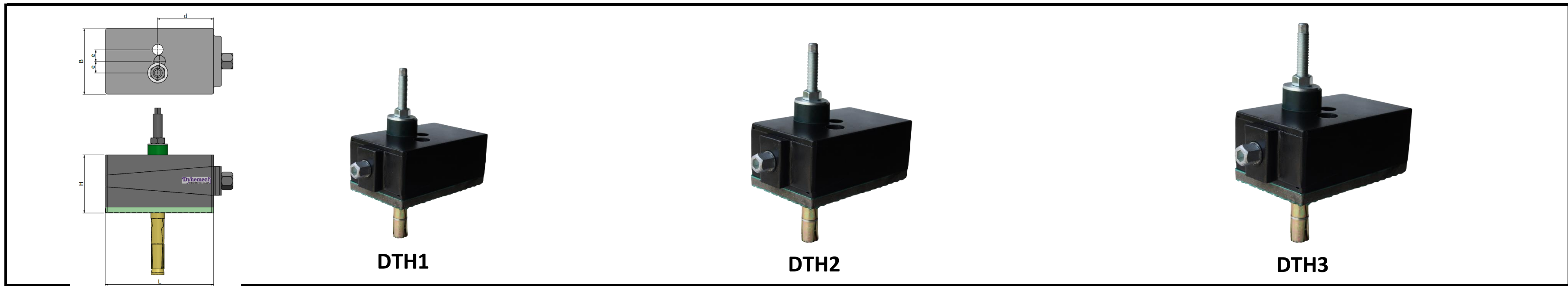
Model	Load Capacity Kg/pc	Length (L) mm	Width (B) mm	Height (H) at mean position (mm)	d (mm)	e (mm)	BORE* (mm)	Adjustment Range (mm)	Bottom pad Type	Bottom pad Thickness (mm)	SW1 (mm)	SW2 (mm)	Coeff. of Friction against Concrete	Natural Frequency at Max. Load (Hz)	Temperature Range (°C)	Color	Applications
DTH1-p1-25T-FG-DG	1000	200	125	88	75	25	25	+8/-8	Dp1	15	22	12	0.8	7	From -16 to 90	Dark Grey/Green	Applications: Power Presses, Stamping Machines, Shearing Machines, Punching Machines. For machines with high vertical impact.
DTH2-p1-25T-FG-DG	1200	200	150	120	75	25	25	+10/-10	Dp1	15	22	12	0.8	7	From -16 to 90	Dark Grey/Green	
DTH3-p1-28T-FG-DG	1900	280	170	150	145	30	28	+12.5/-12.5	Dp1	15	39	22	0.8	7	From -16 to 90	Dark Grey/Green	
DTH1-p2-25T-FG-DG	1250	200	125	93	75	25	25	+8/-8	Dp2	20	22	12	0.8	12	From -16 to 90	Dark Grey/Green	Applications: Medium Presses, Punching Presses, Centreless Grinding Machines, Gear Shapers, High Speed Machines on upper floors.
DTH2-p2-25T-FG-DG	1500	200	150	125	75	25	25	+10/-10	Dp2	20	22	12	0.8	12	From -16 to 90	Dark Grey/Green	
DTH3-p2-28T-FG-DG	2380	280	170	155	145	30	28	+12.5/-12.5	Dp2	20	39	22	0.8	12	From -16 to 90	Dark Grey/Green	
DTH1-p3-25T-FG-DG	1500	200	125	97	75	25	25	+8/-8	Dp3	24	22	12	0.8	7	From -16 to 90	Dark Grey/Green	Applications: Tool Room Machines on suspended Floors, Light Weight Presses, Compressors etc.
DTH2-p3-25T-FG-DG	1800	200	150	129	75	25	25	+10/-10	Dp3	24	22	12	0.8	7	From -16 to 90	Dark Grey/Green	
DTH3-p3-28T-FG-DG	2860	280	170	159	145	30	28	+12.5/-12.5	Dp3	24	39	22	0.8	7	From -16 to 90	Dark Grey/Green	



Model	Load Capacity Kg/pc	Length (L) mm	Width (B) mm	Height (H) at mean position (mm)	d (mm)	e (mm)	BORE* (mm)	Adjustment Range (mm)	Bottom pad Type	Bottom pad Thickness (mm)	SW1 (mm)	SW2 (mm)	Coeff. of Friction against Concrete	Natural Frequency at Max. Load (Hz)	Temperature Range (°C)	Color	Applications
DTH1-s1-25T-FG-DG	1250	200	125	93	75	25	25	+8/-8	Ds1	20	22	12	0.8	15	From -16 to 90	Dark Grey/Green	Applications: Tool Room Machines, Plastic Injection Moulding Machines, Pressure Die Casting Machines, Shaper, Printing and Textile Machines etc.
DTH2-s1-25T-FG-DG	1500	200	150	125	75	25	25	+10/-10	Ds1	20	22	12	0.8	15	From -16 to 90	Dark Grey/Green	
DTH3-s1-28T-FG-DG	2380	280	170	155	145	30	28	+12.5/-12.5	Ds1	20	39	22	0.8	15	From -16 to 90	Dark Grey/Green	
DTH1-s2-25T-FG-DG	2000	200	125	98	75	25	25	+8/-8	Ds2	25	22	12	0.8	8	From -16 to 90	Dark Grey/Green	Applications: Power Presses, Stamping Machines, Shearing Machines, Punching Machines. For machines with high vertical impact.
DTH2-s2-25T-FG-DG	2400	200	150	130	75	25	25	+10/-10	Ds2	25	22	12	0.8	8	From -16 to 90	Dark Grey/Green	
DTH3-s2-28T-FG-DG	3800	280	170	160	145	30	28	+12.5/-12.5	Ds2	25	39	22	0.8	8	From -16 to 90	Dark Grey/Green	



Model	Load Capacity Kg/pc	Length (L) mm	Width (B) mm	Height (H) at mean position (mm)	d (mm)	e (mm)	BORE* (mm)	Adjustment Range (mm)	Bottom pad Type	Bottom pad Thickness (mm)	SW1 (mm)	SW2 (mm)	Coeff. of Friction against Concrete	Natural Frequency at Max. Load (Hz)	Temperature Range (°C)	Color	Applications
DTH1-hs1-25T-FG-DG	5000	200	125	138	75	25	25	+8/-8	Dhs1	65	22	12	0.8	6	From -16 to 90	Dark Grey/Green	Applications : Forging Hammers, Heavy Gen Sets, Heavy Industrial machines, Test Rigs, Heavy presses etc.
DTH2-hs1-25T-FG-DG	6000	200	150	170	75	25	25	+10/-10	Dhs1	65	22	12	0.8	6	From -16 to 90	Dark Grey/Green	
DTH3-hs1-28T-FG-DG	9520	280	170	200	145	30	28	+12.5/-12.5	Dhs1	65	39	22	0.8	6	From -16 to 90	Dark Grey/Green	
DTH1-hs2-25T-FG-DG	2000	200	125	138	75	25	25	+8/-8	Dhs2	65	22	12	0.8	4	From -16 to 90	Dark Grey/Green	Applications : Forging Hammers, Heavy Gen Sets, Heavy Industrial machines, Test Rigs, Heavy presses, crushers etc.
DTH2-hs2-25T-FG-DG	2400	200	150	170	75	25	25	+10/-10	Dhs2	65	22	12	0.8	4	From -16 to 90	Dark Grey/Green	
DTH3-hs2-28T-FG-DG	3800	280	170	200	145	30	28	+12.5/-12.5	Dhs2	65	39	22	0.8	4	From -16 to 90	Dark Grey/Green	
DTH1-hs3-25T-FG-DG	7000	200	125	123	75	25	25	+8/-8	Dhs3	50	22	12	0.8	7	From -16 to 90	Dark Grey/Green	Applications : Forging Hammers, Heavy Gen Sets, Heavy Industrial machines, Test Rigs, Heavy presses etc.
DTH2-hs3-25T-FG-DG	8400	200	150	155	75	25	25	+10/-10	Dhs3	50	22	12	0.8	7	From -16 to 90	Dark Grey/Green	
DTH3-hs3-28T-FG-DG	13330	280	170	185	145	30	28	+12.5/-12.5	Dhs3	50	39	22	0.8	7	From -16 to 90	Dark Grey/Green	
DTH1-hs4-25T-FG-DG	3000	200	125	123	75	25	25	+8/-8	Dhs4	50	22	12	0.8	5	From -16 to 90	Dark Grey/Green	Applications : Forging Hammers, Heavy Gen Sets, Heavy Industrial machines, Test Rigs, Heavy presses, crushers etc.
DTH2-hs4-25T-FG-DG	3600	200	150	155	75	25	25	+10/-10	Dhs4	50	22	12	0.8	5	From -16 to 90	Dark Grey/Green	
DTH3-hs4-28T-FG-DG	5700	280	170	185	145	30	28	+12.5/-12.5	Dhs4	50	39	22	0.8	5	From -16 to 90	Dark Grey/Green	
DTH1-hs5-25T-FG-DG	7000	200	125	153	75	25	25	+8/-8	Dhs5	80	22	12	0.8	5	From -16 to 90	Dark Grey/Green	Applications : Forging Hammers, Heavy Gen Sets, Heavy Industrial machines, Test Rigs, Heavy presses etc.
DTH2-hs5-25T-FG-DG	8400	200	150	185	75	25	25	+10/-10	Dhs5	80	22	12	0.8	5	From -16 to 90	Dark Grey/Green	
DTH3-hs5-28T-FG-DG	13330	280	170	215	145	30	28	+12.5/-12.5	Dhs5	80	39	22	0.8	5	From -16 to 90	Dark Grey/Green	



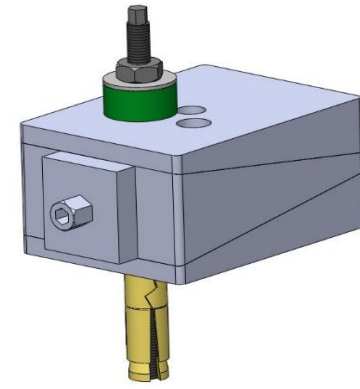
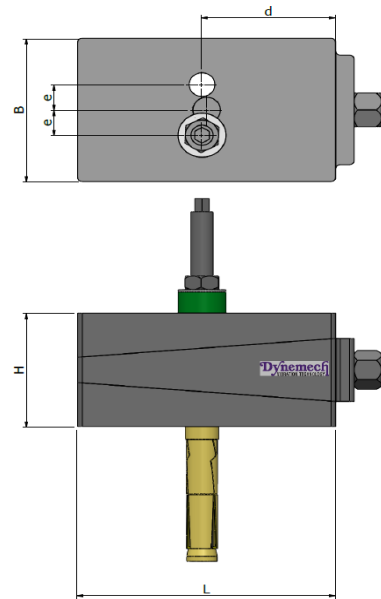
Model	Load Capacity Kg/pc	Length (L) mm	Width (B) mm	Height (H) at mean position (mm)	d (mm)	e (mm)	BORE* (mm)	Adjustment Range (mm)	Bottom pad Type	Bottom pad Thickness (mm)	SW1 (mm)	SW2 (mm)	Coeff. of Friction against Concrete	Natural Frequency at Max. Load (Hz)	Temperature Range (°C)	Color	Applications
DTH1-h-25T-FG-DG	7500	200	125	88	75	25	25	+8/-8	Dh	15	22	12	0.6	45	From -16 to 90	Dark Grey/Green	Applications : Very Heavy and long bed machines, long machining centres, planners etc.
DTH2-h-25T-FG-DG	9000	200	150	120	75	25	25	+10/-10	Dh	15	22	12	0.6	45	From -16 to 90	Dark Grey/Green	
DTH3-h-28T-FG-DG	14000	280	170	150	145	30	28	+12.5/-12.5	Dh	15	39	22	0.6	45	From -16 to 90	Dark Grey/Green	



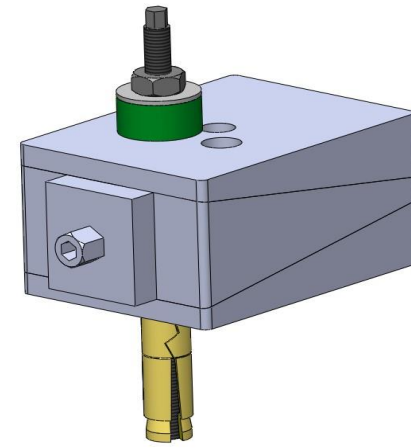
Model	Load Capacity Kg/pc	Length (L) mm	Width (B) mm	Height (H) at mean position (mm)	d (mm)	e (mm)	BORE* (mm)	Adjustment Range (mm)	Bottom pad Type	Bottom pad Thickness (mm)	SW1 (mm)	SW2 (mm)	Coeff. of Friction against Concrete	Natural Frequency at Max. Load (Hz)	Temperature Range (°C)	Color	Applications
DTH1-a1-25T-FG-DG	4500	200	125	75	75	25	25	+8/-8	Da1	2	22	12	0.8	70	From -16 to 90	Dark Grey/Green	
DTH2-a1-25T-FG-DG	5400	200	150	107	75	25	25	+10/-10	Da1	2	22	12	0.8	70	From -16 to 90	Dark Grey/Green	
DTH3-a1-28T-FG-DG	8570	280	170	137	145	30	28	+12.5/-12.5	Da1	2	39	22	0.8	70	From -16 to 90	Dark Grey/Green	



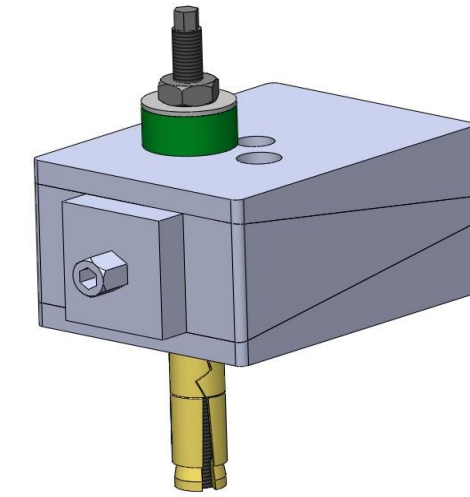
Model	Load Capacity Kg/pc	Length (L) mm	Width (B) mm	Height (H) at mean position (mm)	d (mm)	e (mm)	BORE* (mm)	Adjustment Range (mm)	Bottom pad Type	Bottom pad Thickness (mm)	SW1 (mm)	SW2 (mm)	Coeff. of Friction against Concrete	Natural Frequency at Max. Load (Hz)	Temperature Range (°C)	Color	Applications
DTH1-a2-25T-FG-DG	2500	200	125	81	75	25	25	+8/-8	Da2	8	22	12	0.9	45	From -16 to 90	Dark Grey/Green	
DTH2-a2-25T-FG-DG	3000	200	150	113	75	25	25	+10/-10	Da2	8	22	12	0.9	45	From -16 to 90	Dark Grey/Green	
DTH3-a2-28T-FG-DG	4760	280	170	143	145	30	28	+12.5/-12.5	Da2	8	39	22	0.9	45	From -16 to 90	Dark Grey/Green	



DTH1



DTH2



DTH3

Model	Load Capacity Kg/pc	Length (L) mm	Width (B) mm	Height (H) at mean position (mm)	d (mm)	e (mm)	BORE* (mm)	Adjustment Range (mm)	Bottom pad Type	Bottom pad Thickness (mm)	SW1 (mm)	SW2 (mm)	Coeff. of Friction against Concrete	Natural Frequency at Max. Load (Hz)	Temperature Range (°C)	Color	Applications
DTH1-25T-FG-DG	13000	200	125	73	75	25	25	+8/-8	X	X	22	12	X	X	From -16 to 90	Dark Grey/Green	Applications : For levelling of all Precision Machines.
DTH2-25T-FG-DG	16000	200	150	105	75	25	25	+10/-10	X	X	22	12	X	X	From -16 to 90	Dark Grey/Green	
DTH3-28T-FG-DG	23000	280	170	135	145	30	28	+12.5/-12.5	X	X	39	22	X	X	From -16 to 90	Dark Grey/Green	