

DFHP1



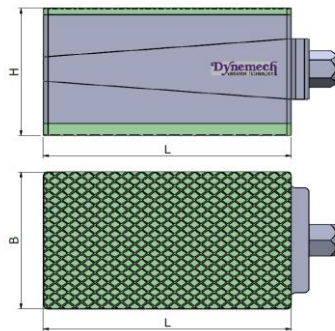
DFHP2



DFHP3

Dynemech Wedge Mounts, Series DFHP-150 are sturdy in construction and installed as free standing. They are designed for very heavy and long bedded machines. DFHP has a height of 100mm to meet TPM requirement. Respective insulation plates are assembled to meet various applications.

Model	Load Capacity Kg/pc	Length (L) mm	Width (B) mm	Height (H) at mean position (mm)	Adjustment Range (mm)	Bottom pad Type	Bottom pad Thickness (mm)	Top pad Type	Top pad Thickness (mm)	SW1 (mm)	SW2 (mm)	Coeff. of Friction against Concrete	Natural Frequency at Max. Load (Hz)	Temperature Range (°C)	Color	Applications
DFHP1-u-a2-158-FG-DG	2250	200	125	158	+8/-8	Du	15	Da2	8	22	12	0.9	18	From -16 to 90	Dark Grey/Green	Applications : Tool room machines, plastic injection moulding machines, pressure die casting machines, shaper, printing and textile machines etc.
DFHP2-u-a2-158-FG-DG	2700	200	150	158	+10/-10	Du	15	Da2	8	22	12	0.9	18	From -16 to 90	Dark Grey/Green	
DFHP3-u-a2-158-FG-DG	4284	280	170	158	+12.5/-12.5	Du	15	Da2	8	39	22	0.9	18	From -16 to 90	Dark Grey/Green	
DFHP1-u-10-a2-153-FG-DG	2250	200	125	153	+8/-8	Du-10	10	Da2	8	22	12	0.9	25	From -16 to 90	Dark Grey/Green	Applications : Tool room machines, plastic injection moulding machines, pressure die casting machines, shaper, printing and textile machines etc.
DFHP2-u-10-a2-153-FG-DG	2700	200	150	153	+10/-10	Du-10	10	Da2	8	22	12	0.9	25	From -16 to 90	Dark Grey/Green	
DFHP3-u-10-a2-153-FG-DG	4284	280	170	153	+12.5/-12.5	Du-10	10	Da2	8	39	22	0.9	25	From -16 to 90	Dark Grey/Green	
DFHP1-u-12-a2-155-FG-DG	2250	200	125	155	+8/-8	Du-12	12	Da2	8	22	12	0.9	20	From -16 to 90	Dark Grey/Green	Applications : Tool room machines, plastic injection moulding machines, pressure die casting machines, shaper, printing and textile machines etc.
DFHP2-u-12-a2-155-FG-DG	2700	200	150	155	+10/-10	Du-12	12	Da2	8	22	12	0.9	20	From -16 to 90	Dark Grey/Green	
DFHP3-u-12-a2-155-FG-DG	4284	280	170	155	+12.5/-12.5	Du-12	12	Da2	8	39	22	0.9	20	From -16 to 90	Dark Grey/Green	



DFHP1

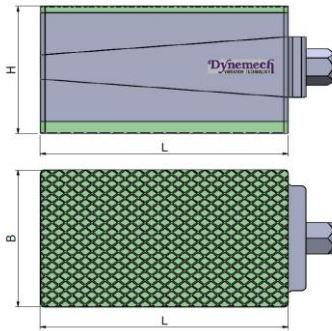


DFHP2



DFHP3

Model	Load Capacity Kg/pc	Length (L) mm	Width (B) mm	Height (H) at mean position (mm)	Adjustment Range (mm)	Bottom pad Type	Bottom pad Thickness (mm)	Top pad Type	Top pad Thickness (mm)	SW1 (mm)	SW2 (mm)	Coeff. of Friction against Concrete	Natural Frequency at Max. Load (Hz)	Temperature Range (°C)	Color	Applications
DFHP1-m-a1-152-FG-DG	2500	200	125	152	+8/-8	Dm	15	Da1	2	22	12	0.7	30	From -16 to 90	Dark Grey/Green	Applications : Lathe machines, Machining centres, Milling machines, precision grinding machines, drilling machines, turning centres, transfer lines etc.
DFHP2-m-a1-152-FG-DG	3000	200	150	152	+10/-10	Dm	15	Da1	2	22	12	0.7	30	From -16 to 90	Dark Grey/Green	
DFHP3-m-a1-152-FG-DG	4760	280	170	152	+12.5/-12.5	Dm	15	Da1	2	39	22	0.7	30	From -16 to 90	Dark Grey/Green	



DFHP1

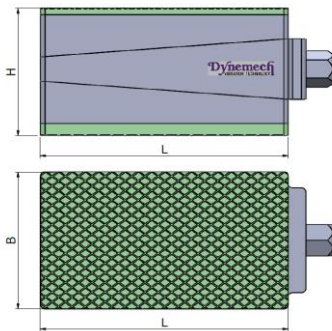


DFHP2



DFHP3

Model	Load Capacity Kg/pc	Length (L) mm	Width (B) mm	Height (H) at mean position (mm)	Adjustment Range (mm)	Bottom pad Type	Bottom pad Thickness (mm)	Top pad Type	Top pad Thickness (mm)	SW1 (mm)	SW2 (mm)	Coeff. of Friction against Concrete	Natural Frequency at Max. Load (Hz)	Temperature Range (°C)	Color	Applications
DFHP1-i-a2-168-FG-DG	3500	200	125	168	+8/-8	Di	25	Da2	8	22	12	0.8	7	From -16 to 90	Dark Grey/Green	Applications: Power Presses, Stamping Machines, Shearing Machines, Punching Machines.
DFHP2-i-a2-168-FG-DG	4200	200	150	168	+10/-10	Di	25	Da2	8	22	12	0.8	7	From -16 to 90	Dark Grey/Green	
DFHP3-i-a2-168-FG-DG	6664	280	170	168	+12.5/-12.5	Di	25	Da2	8	39	22	0.8	7	From -16 to 90	Dark Grey/Green	



DFHP1



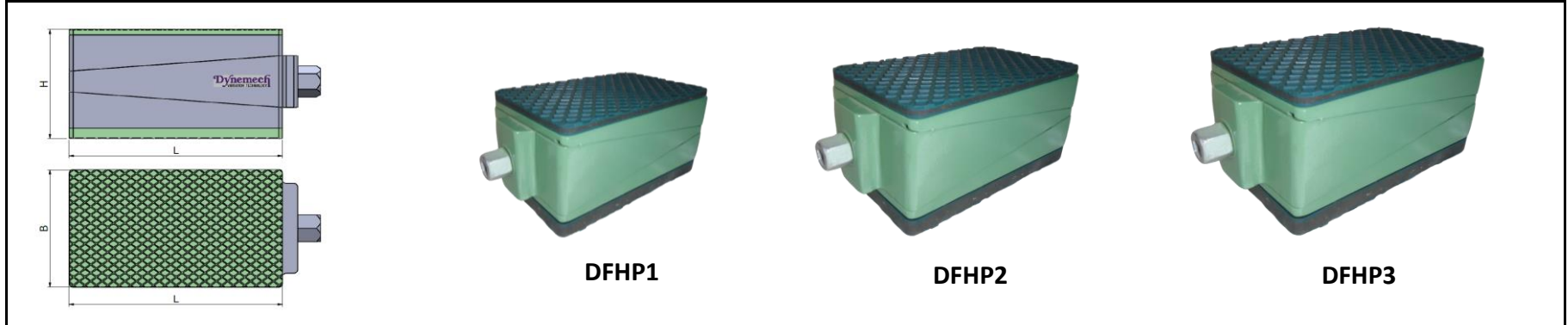
DFHP2



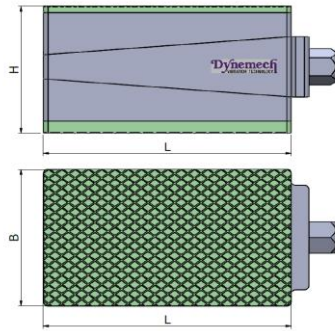
DFHP3

Model	Load Capacity Kg/pc	Length (L) mm	Width (B) mm	Height (H) at mean position (mm)	Adjustment Range (mm)	Bottom pad Type	Bottom pad Thickness (mm)	Top pad Type	Top pad Thickness (mm)	SW1 (mm)	SW2 (mm)	Coeff. of Friction against Concrete	Natural Frequency at Max. Load (Hz)	Temperature Range (°C)	Color	Applications
-------	---------------------	---------------	--------------	----------------------------------	-----------------------	-----------------	---------------------------	--------------	------------------------	----------	----------	-------------------------------------	-------------------------------------	------------------------	-------	--------------

DFHP1-p1-a1-152-FG-DG	1000	200	125	152	+8/-8	Dp1	15	Da1	2	22	12	0.8	7	From -16 to 90	Dark Grey/Green	Applications: Passive vibration control of measuring & Testing Machines, Grinders etc.
DFHP2-p1-a1-152-FG-DG	1200	200	150	152	+10/-10	Dp1	15	Da1	2	22	12	0.8	7	From -16 to 90	Dark Grey/Green	
DFHP3-p1-a1-152-FG-DG	1900	280	170	152	+12.5/-12.5	Dp1	15	Da1	2	39	22	0.8	7	From -16 to 90	Dark Grey/Green	
DFHP1-p2-a1-157-FG-DG	1250	200	125	157	+8/-8	Dp2	20	Da1	2	22	12	0.8	12	From -16 to 90	Dark Grey/Green	Applications : Measuring & Testing Machines, Surface Plates, Hardness Testers, Microscopes, EDM Machines, Profile Projectors etc.
DFHP2-p2-a1-157-FG-DG	1500	200	150	157	+10/-10	Dp2	20	Da1	2	22	12	0.8	12	From -16 to 90	Dark Grey/Green	
DFHP3-p2-a1-157-FG-DG	2380	280	170	157	+12.5/-12.5	Dp2	20	Da1	2	39	22	0.8	12	From -16 to 90	Dark Grey/Green	
DFHP1-p3-a1-161-FG-DG	1500	200	125	161	+8/-8	Dp3	24	Da1	2	22	12	0.8	7	From -16 to 90	Dark Grey/Green	Applications : Measuring & Testing Machines, Surface Plates, Hardness Testers, Microscopes, EDM Machines, Profile Projectors etc.
DFHP2-p3-a1-161-FG-DG	1800	200	150	161	+10/-10	Dp3	24	Da1	2	22	12	0.8	7	From -16 to 90	Dark Grey/Green	
DFHP3-p3-a1-161-FG-DG	2860	280	170	161	+12.5/-12.5	Dp3	24	Da1	2	39	22	0.8	7	From -16 to 90	Dark Grey/Green	



Model	Load Capacity Kg/pc	Length (L) mm	Width (B) mm	Height (H) at mean position (mm)	Adjustment Range (mm)	Bottom pad Type	Bottom pad Thickness (mm)	Top pad Type	Top pad Thickness (mm)	SW1 (mm)	SW2 (mm)	Coeff. of Friction against Concrete	Natural Frequency at Max. Load (Hz)	Temperature Range (°C)	Color	Applications
DFHP1-s1-a1-157-FG-DG	1250	200	125	157	+8/-8	Ds1	20	Da1	2	22	12	0.8	15	From -16 to 90	Dark Grey/Green	Applications : Active & Passive vibration isolation of metrology and production machines.
DFHP2-s1-a1-157-FG-DG	1500	200	150	157	+10/-10	Ds1	20	Da1	2	22	12	0.8	15	From -16 to 90	Dark Grey/Green	
DFHP3-s1-a1-157-FG-DG	2380	280	170	157	+12.5/-12.5	Ds1	20	Da1	2	39	22	0.8	15	From -16 to 90	Dark Grey/Green	
DFHP1-s2-a1-162-FG-DG	2000	200	125	162	+8/-8	Ds2	25	Da1	2	22	12	0.8	8	From -16 to 90	Dark Grey/Green	Applications : Medium Presses, Stamping machines, also well suited for high speed rotating machines on upper floors.
DFHP2-s2-a1-162-FG-DG	2400	200	150	162	+10/-10	Ds2	25	Da1	2	22	12	0.8	8	From -16 to 90	Dark Grey/Green	
DFHP3-s2-a1-162-FG-DG	3800	280	170	162	+12.5/-12.5	Ds2	25	Da1	2	39	22	0.8	8	From -16 to 90	Dark Grey/Green	



DFHP1

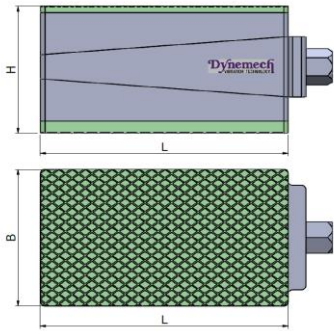


DFHP2



DFHP3

Model	Load Capacity Kg/pc	Length (L) mm	Width (B) mm	Height (H) at mean position (mm)	Adjustment Range (mm)	Bottom pad Type	Bottom pad Thickness (mm)	Top pad Type	Top pad Thickness (mm)	SW1 (mm)	SW2 (mm)	Coeff. of Friction against Concrete	Natural Frequency at Max. Load (Hz)	Temperature Range (°C)	Color	Applications
DFHP1-hs1-a2-208-FG-DG	5000	200	125	208	+8/-8	Dhs1	65	Da2	8	22	12	0.8	6	From -16 to 90	Dark Grey/Green	Applications : Forging Hammers, Heavy Gen Sets, Heavy Industrial machines, Test Rigs, Heavy presses etc.
DFHP2-hs1-a2-208-FG-DG	6000	200	150	208	+10/-10	Dhs1	65	Da2	8	22	12	0.8	6	From -16 to 90	Dark Grey/Green	
DFHP3-hs1-a2-208-FG-DG	9520	280	170	208	+12.5/-12.5	Dhs1	65	Da2	8	39	22	0.8	6	From -16 to 90	Dark Grey/Green	
DFHP1-hs2-a1-202-FG-DG	2000	200	125	202	+8/-8	Dhs2	65	Da1	2	22	12	0.8	4	From -16 to 90	Dark Grey/Green	Applications : Forging Hammers, Heavy Gen Sets, Heavy Industrial machines, Test Rigs, Heavy presses, crushers etc.
DFHP2-hs2-a1-202-FG-DG	2400	200	150	202	+10/-10	Dhs2	65	Da1	2	22	12	0.8	4	From -16 to 90	Dark Grey/Green	
DFHP3-hs2-a1-202-FG-DG	3800	280	170	202	+12.5/-12.5	Dhs2	65	Da1	2	39	22	0.8	4	From -16 to 90	Dark Grey/Green	
DFHP1-hs3-a2-193-FG-DG	7000	200	125	193	+8/-8	Dhs3	50	Da2	8	22	12	0.8	7	From -16 to 90	Dark Grey/Green	Applications : Forging Hammers, Heavy Gen Sets, Heavy Industrial machines, Test Rigs, Heavy presses etc.
DFHP2-hs3-a2-193-FG-DG	8400	200	150	193	+10/-10	Dhs3	50	Da2	8	22	12	0.8	7	From -16 to 90	Dark Grey/Green	
DFHP3-hs3-a2-193-FG-DG	13330	280	170	193	+12.5/-12.5	Dhs3	50	Da2	8	39	22	0.8	7	From -16 to 90	Dark Grey/Green	
DFHP1-hs4-a1-187-FG-DG	3000	200	125	187	+8/-8	Dhs4	50	Da1	2	22	12	0.8	5	From -16 to 90	Dark Grey/Green	Applications : Forging Hammers, Heavy Gen Sets, Heavy Industrial machines, Test Rigs, Heavy presses, crushers etc.
DFHP2-hs4-a1-187-FG-DG	3600	200	150	187	+10/-10	Dhs4	50	Da1	2	22	12	0.8	5	From -16 to 90	Dark Grey/Green	
DFHP3-hs4-a1-187-FG-DG	5700	280	170	187	+12.5/-12.5	Dhs4	50	Da1	2	39	22	0.8	5	From -16 to 90	Dark Grey/Green	
DFHP1-hs5-a2-223-FG-DG	7000	200	125	223	+8/-8	Dhs5	80	Da2	8	22	12	0.8	5	From -16 to 90	Dark Grey/Green	Applications : Forging Hammers, Heavy Gen Sets, Heavy Industrial machines, Test Rigs, Heavy presses etc.
DFHP2-hs5-a2-223-FG-DG	8400	200	150	223	+10/-10	Dhs5	80	Da2	8	22	12	0.8	5	From -16 to 90	Dark Grey/Green	
DFHP3-hs5-a2-223-FG-DG	13330	280	170	223	+12.5/-12.5	Dhs5	80	Da2	8	39	22	0.8	5	From -16 to 90	Dark Grey/Green	



DFHP1

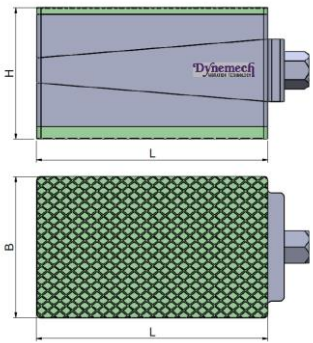


DFHP2



DFHP3

Model	Load Capacity Kg/pc	Length (L) mm	Width (B) mm	Height (H) at mean position (mm)	Adjustment Range (mm)	Bottom pad Type	Bottom pad Thickness (mm)	Top pad Type	Top pad Thickness (mm)	SW1 (mm)	SW2 (mm)	Coeff. of Friction against Concrete	Natural Frequency at Max. Load (Hz)	Temperature Range (°C)	Color	Applications
DFHP1-h-a1-152-FG-DG	7500	200	125	152	+8/-8	Dh	15	Da1	2	22	12	0.6	45	From -16 to 90	Dark Grey/Green	Applications : Very Heavy and long bed machines, long machining centres, planners etc.
DFHP2-h-a1-152-FG-DG	9000	200	150	152	+10/-10	Dh	15	Da1	2	22	12	0.6	45	From -16 to 90	Dark Grey/Green	
DFHP3-h-a1-152-FG-DG	14000	280	170	152	+12.5/-12.5	Dh	15	Da1	2	39	22	0.6	45	From -16 to 90	Dark Grey/Green	



DFHP1

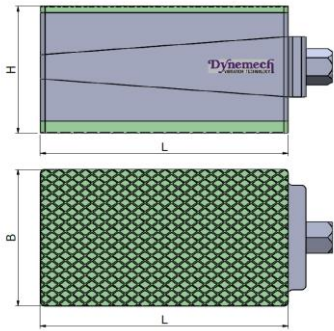


DFHP2



DFHP3

Model	Load Capacity Kg/pc	Length (L) mm	Width (B) mm	Height (H) at mean position (mm)	Adjustment Range (mm)	Bottom pad Type	Bottom pad Thickness (mm)	Top pad Type	Top pad Thickness (mm)	SW1 (mm)	SW2 (mm)	Coeff. of Friction against Concrete	Natural Frequency at Max. Load (Hz)	Temperature Range (°C)	Color	Applications
DFHP1-a1-a1-139-FG-DG	4500	200	125	139	+8/-8	Da1	2	Da1	2	22	12	0.8	70	From -16 to 90	Dark Grey/Green	
DFHP2-a1-a1-139-FG-DG	5400	200	150	139	+10/-10	Da1	2	Da1	2	22	12	0.8	70	From -16 to 90	Dark Grey/Green	
DFHP3-a1-a1-139-FG-DG	8570	280	170	139	+12.5/-12.5	Da1	2	Da1	2	39	22	0.8	70	From -16 to 90	Dark Grey/Green	



DFHP1

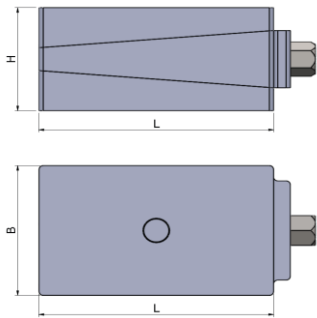


DFHP2



DFHP3

Model	Load Capacity Kg/pc	Length (L) mm	Width (B) mm	Height (H) at mean position (mm)	Adjustment Range (mm)	Bottom pad Type	Bottom pad Thickness (mm)	Top pad Type	Top pad Thickness (mm)	SW1 (mm)	SW2 (mm)	Coeff. of Friction against Concrete	Natural Frequency at Max. Load (Hz)	Temperature Range (°C)	Color	Applications
DFHP1-a2-a2-151-FG-DG	2500	200	125	151	+8/-8	Da2	8	Da2	8	22	12	0.9	45	From -16 to 90	Dark Grey/Green	
DFHP2-a2-a2-151-FG-DG	3000	200	150	151	+10/-10	Da2	8	Da2	8	22	12	0.9	45	From -16 to 90	Dark Grey/Green	
DFHP3-a2-a2-151-FG-DG	4760	280	170	151	+12.5/-12.5	Da2	8	Da2	8	39	22	0.9	45	From -16 to 90	Dark Grey/Green	



DFHP1



DFHP2



DFHP3

Model	Load Capacity Kg/pc	Length (L) mm	Width (B) mm	Height (H) at mean position (mm)	Adjustment Range (mm)	Bottom pad Type	Bottom pad Thickness (mm)	Top pad Type	Top pad Thickness (mm)	SW1 (mm)	SW2 (mm)	Coeff. of Friction against Concrete	Natural Frequency at Max. Load (Hz)	Temperature Range (°C)	Color	Applications
DFHP1-135-FG-DG	13000	200	125	135	+8/-8	X	X	X	X	22	12	X	X	From -16 to 90	Dark Grey/Green	Applications : For levelling of all Precision Machines.
DFHP2-135-FG-DG	16000	200	150	135	+10/-10	X	X	X	X	22	12	X	X	From -16 to 90	Dark Grey/Green	
DFHP3-135-FG-DG	23800	280	170	135	+12.5/-12.5	X	X	X	X	39	22	X	X	From -16 to 90	Dark Grey/Green	