

DFH1



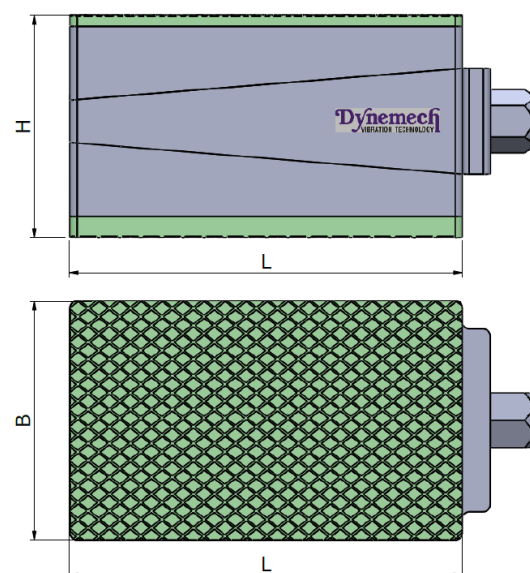
DFH2



DFH3

Dynemech Wedge Mounts, Series DFH are sturdy in construction and installed as free standing. They are designed for very heavy and long bedded machines. High levelling adjustment avoids the need of extra shims for installations on steep slope surfaces.

Model	Load Capacity Kg/pc	Length (L) mm	Width (B) mm	Height (H) at mean position (mm)	Adjustment Range (mm)	Bottom pad Type	Bottom pad Thickness (mm)	Top pad Type	Top pad Thickness (mm)	SW1 (mm)	SW2 (mm)	Coeff. of Friction against Concrete	Natural Frequency at Max. Load (Hz)	Temperature Range (°C)	Color	Applications
DFH1-u-a2-FG-DG	2250	200	125	96	+8/-8	Du	15	Da2	8	22	12	0.9	18	From -16 to 90	Dark Grey/Green	Applications : Tool room machines, plastic injection moulding machines, pressure die casting machines, shaper, printing and textile machines etc.
DFH2-u-a2-FG-DG	2700	200	150	128	+10/-10	Du	15	Da2	8	22	12	0.9	18	From -16 to 90	Dark Grey/Green	
DFH3-u-a2-FG-DG	4284	280	170	158	+12.5/-12.5	Du	15	Da2	8	39	22	0.9	18	From -16 to 90	Dark Grey/Green	
DFH1-u-10-a2-FG-DG	2250	200	125	91	+8/-8	Du-10	10	Da2	8	22	12	0.9	25	From -16 to 90	Dark Grey/Green	Applications : Tool room machines, plastic injection moulding machines, pressure die casting machines, shaper, printing and textile machines etc.
DFH2-u-10-a2-FG-DG	2700	200	150	123	+10/-10	Du-10	10	Da2	8	22	12	0.9	25	From -16 to 90	Dark Grey/Green	
DFH3-u-10-a2-FG-DG	4284	280	170	153	+12.5/-12.5	Du-10	10	Da2	8	39	22	0.9	25	From -16 to 90	Dark Grey/Green	
DFH1-u-12-a2-FG-DG	2250	200	125	93	+8/-8	Du-12	12	Da2	8	22	12	0.9	20	From -16 to 90	Dark Grey/Green	Applications : Tool room machines, plastic injection moulding machines, pressure die casting machines, shaper, printing and textile machines etc.
DFH2-u-12-a2-FG-DG	2700	200	150	125	+10/-10	Du-12	12	Da2	8	22	12	0.9	20	From -16 to 90	Dark Grey/Green	
DFH3-u-12-a2-FG-DG	4284	280	170	155	+12.5/-12.5	Du-12	12	Da2	8	39	22	0.9	20	From -16 to 90	Dark Grey/Green	



DFH1

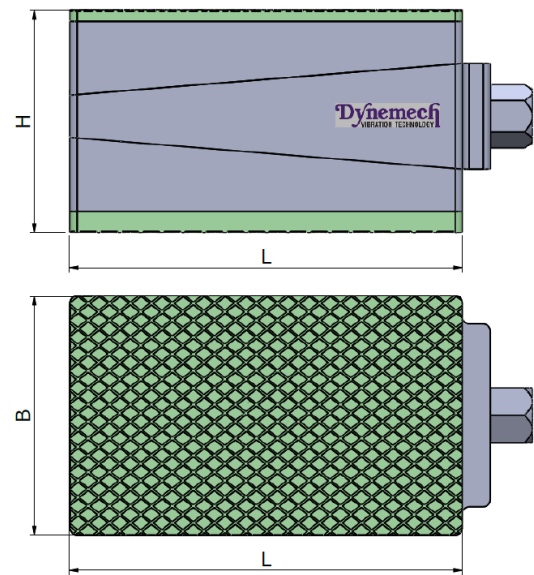


DFH2



DFH3

Model	Load Capacity Kg/pc	Length (L) mm	Width (B) mm	Height (H) at mean position (mm)	Adjustment Range (mm)	Bottom pad Type	Bottom pad Thickness (mm)	Top pad Type	Top pad Thickness (mm)	SW1 (mm)	SW2 (mm)	Coeff. of Friction against Concrete	Natural Frequency at Max. Load (Hz)	Temperature Range (°C)	Color	Applications
DFH1-m-a1-FG-DG	2500	200	125	90	+8/-8	Dm	15	Da1	2	22	12	0.7	30	From -16 to 90	Dark Grey/Green	Applications : Lathe machines, Machining centres, Milling machines, precision grinding machines, drilling machines, turning centres, transfer lines etc.
DFH2-m-a1-FG-DG	3000	200	150	122	+10/-10	Dm	15	Da1	2	22	12	0.7	30	From -16 to 90	Dark Grey/Green	
DFH3-m-a1-FG-DG	4760	280	170	152	+12.5/-12.5	Dm	15	Da1	2	39	22	0.7	30	From -16 to 90	Dark Grey/Green	



DFH1

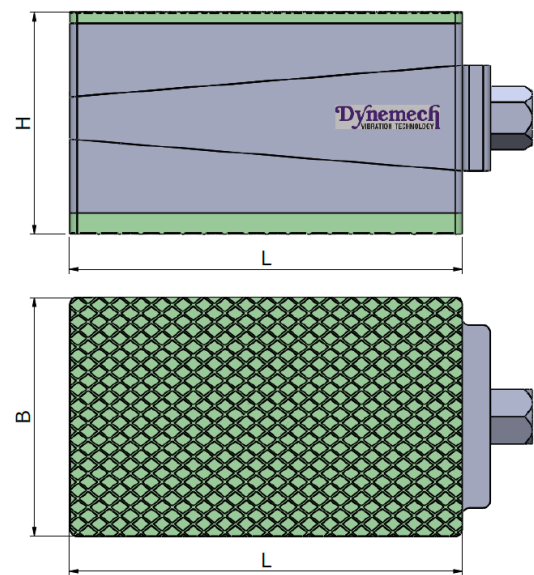


DFH2



DFH3

Model	Load Capacity Kg/pc	Length (L) mm	Width (B) mm	Height (H) at mean position (mm)	Adjustment Range (mm)	Bottom pad Type	Bottom pad Thickness (mm)	Top pad Type	Top pad Thickness (mm)	SW1 (mm)	SW2 (mm)	Coeff. of Friction against Concrete	Natural Frequency at Max. Load (Hz)	Temperature Range (°C)	Color	Applications
DFH1-i-a2-FG-DG	3500	200	125	106	+8/-8	Di	25	Da2	8	22	12	0.8	7	From -16 to 90	Dark Grey/Green	Applications: Power Presses, Stamping Machines, Shearing Machines, Punching Machines.
DFH2-i-a2-FG-DG	4200	200	150	138	+10/-10	Di	25	Da2	8	22	12	0.8	7	From -16 to 90	Dark Grey/Green	
DFH3-i-a2-FG-DG	6664	280	170	168	+12.5/-12.5	Di	25	Da2	8	39	22	0.8	7	From -16 to 90	Dark Grey/Green	



DFH1



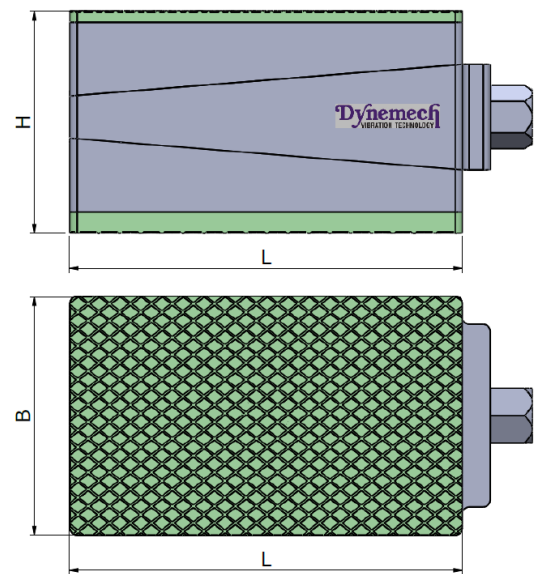
DFH2



DFH3

Model	Load Capacity Kg/pc	Length (L) mm	Width (B) mm	Height (H) at mean position (mm)	Adjustment Range (mm)	Bottom pad Type	Bottom pad Thickness (mm)	Top pad Type	Top pad Thickness (mm)	SW1 (mm)	SW2 (mm)	Coeff. of Friction against Concrete	Natural Frequency at Max. Load (Hz)	Temperature Range (°C)	Color	Applications
-------	---------------------	---------------	--------------	----------------------------------	-----------------------	-----------------	---------------------------	--------------	------------------------	----------	----------	-------------------------------------	-------------------------------------	------------------------	-------	--------------

DFH1-p1-a1-FG-DG	1000	200	125	90	+8/-8	Dp1	15	Da1	2	22	12	0.8	7	From -16 to 90	Dark Grey/Green	Applications: Passive vibration control of measuring & Testing Machines, Grinders etc.
DFH2-p1-a1-FG-DG	1200	200	150	122	+10/-10	Dp1	15	Da1	2	22	12	0.8	7	From -16 to 90	Dark Grey/Green	
DFH3-p1-a1-FG-DG	1900	280	170	152	+12.5/-12.5	Dp1	15	Da1	2	39	22	0.8	7	From -16 to 90	Dark Grey/Green	
DFH1-p2-a1-FG-DG	1250	200	125	95	+8/-8	Dp2	20	Da1	2	22	12	0.8	12	From -16 to 90	Dark Grey/Green	Applications : Measuring & Testing Machines, Surface Plates, Hardness Testers, Microscopes, EDM Machines, Profile Projectors etc.
DFH2-p2-a1-FG-DG	1500	200	150	127	+10/-10	Dp2	20	Da1	2	22	12	0.8	12	From -16 to 90	Dark Grey/Green	
DFH3-p2-a1-FG-DG	2380	280	170	157	+12.5/-12.5	Dp2	20	Da1	2	39	22	0.8	12	From -16 to 90	Dark Grey/Green	
DFH1-p3-a1-FG-DG	1500	200	125	99	+8/-8	Dp3	24	Da1	2	22	12	0.8	7	From -16 to 90	Dark Grey/Green	Applications : Measuring & Testing Machines, Surface Plates, Hardness Testers, Microscopes, EDM Machines, Profile Projectors etc.
DFH2-p3-a1-FG-DG	1800	200	150	131	+10/-10	Dp3	24	Da1	2	22	12	0.8	7	From -16 to 90	Dark Grey/Green	
DFH3-p3-a1-FG-DG	2860	280	170	161	+12.5/-12.5	Dp3	24	Da1	2	39	22	0.8	7	From -16 to 90	Dark Grey/Green	



DFH1

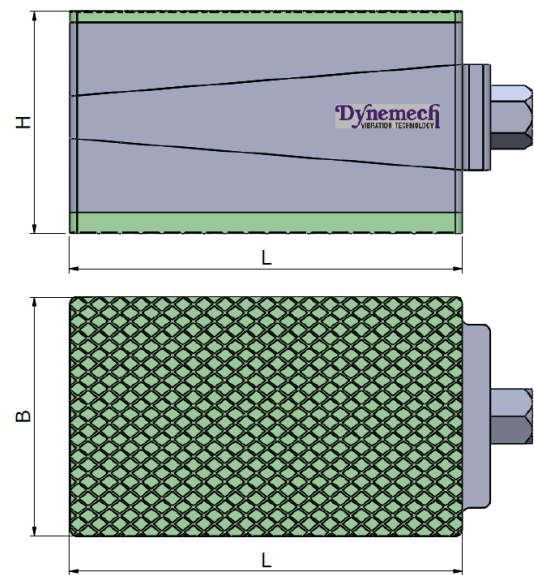


DFH2



DFH3

Model	Load Capacity Kg/pc	Length (L) mm	Width (B) mm	Height (H) at mean position (mm)	Adjustment Range (mm)	Bottom pad Type	Bottom pad Thickness (mm)	Top pad Type	Top pad Thickness (mm)	SW1 (mm)	SW2 (mm)	Coeff. of Friction against Concrete	Natural Frequency at Max. Load (Hz)	Temperature Range (°C)	Color	Applications
DFH1-s1-a1-FG-DG	1250	200	125	95	+8/-8	Ds1	20	Da1	2	22	12	0.8	15	From -16 to 90	Dark Grey/Green	Applications : Active & Passive vibration isolation of metrology and production machines.
DFH2-s1-a1-FG-DG	1500	200	150	127	+10/-10	Ds1	20	Da1	2	22	12	0.8	15	From -16 to 90	Dark Grey/Green	
DFH3-s1-a1-FG-DG	2380	280	170	157	+12.5/-12.5	Ds1	20	Da1	2	39	22	0.8	15	From -16 to 90	Dark Grey/Green	
DFH1-s2-a1-FG-DG	2000	200	125	100	+8/-8	Ds2	25	Da1	2	22	12	0.8	8	From -16 to 90	Dark Grey/Green	Applications : Medium Presses, Stamping machines, also well suited for high speed rotating machines on upper floors.
DFH2-s2-a1-FG-DG	2400	200	150	132	+10/-10	Ds2	25	Da1	2	22	12	0.8	8	From -16 to 90	Dark Grey/Green	
DFH3-s2-a1-FG-DG	3800	280	170	162	+12.5/-12.5	Ds2	25	Da1	2	39	22	0.8	8	From -16 to 90	Dark Grey/Green	



DFH1

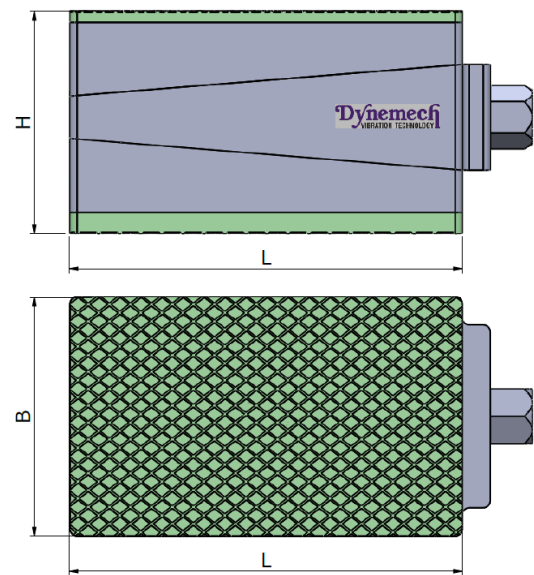


DFH2



DFH3

Model	Load Capacity Kg/pc	Length (L) mm	Width (B) mm	Height (H) at mean position (mm)	Adjustment Range (mm)	Bottom pad Type	Bottom pad Thickness (mm)	Top pad Type	Top pad Thickness (mm)	SW1 (mm)	SW2 (mm)	Coeff. of Friction against Concrete	Natural Frequency at Max. Load (Hz)	Temperature Range (°C)	Color	Applications
DFH1-hs1-a2-FG-DG	5000	200	125	146	+8/-8	Dhs1	65	Da2	8	22	12	0.8	6	From -16 to 90	Dark Grey/Green	Applications : Forging Hammers, Heavy Gen Sets, Heavy Industrial machines, Test Rigs, Heavy presses etc.
DFH2-hs1-a2-FG-DG	6000	200	150	178	+10/-10	Dhs1	65	Da2	8	22	12	0.8	6	From -16 to 90	Dark Grey/Green	
DFH3-hs1-a2-FG-DG	9520	280	170	208	+12.5/-12.5	Dhs1	65	Da2	8	39	22	0.8	6	From -16 to 90	Dark Grey/Green	
DFH1-hs2-a1-FG-DG	2000	200	125	140	+8/-8	Dhs2	65	Da1	2	22	12	0.8	4	From -16 to 90	Dark Grey/Green	Applications : Forging Hammers, Heavy Gen Sets, Heavy Industrial machines, Test Rigs, Heavy presses, crushers etc.
DFH2-hs2-a1-FG-DG	2400	200	150	172	+10/-10	Dhs2	65	Da1	2	22	12	0.8	4	From -16 to 90	Dark Grey/Green	
DFH3-hs2-a1-FG-DG	3800	280	170	202	+12.5/-12.5	Dhs2	65	Da1	2	39	22	0.8	4	From -16 to 90	Dark Grey/Green	
DFH1-hs3-a2-FG-DG	7000	200	125	131	+8/-8	Dhs3	50	Da2	8	22	12	0.8	7	From -16 to 90	Dark Grey/Green	Applications : Forging Hammers, Heavy Gen Sets, Heavy Industrial machines, Test Rigs, Heavy presses etc.
DFH2-hs3-a2-FG-DG	8400	200	150	163	+10/-10	Dhs3	50	Da2	8	22	12	0.8	7	From -16 to 90	Dark Grey/Green	
DFH3-hs3-a2-FG-DG	13330	280	170	193	+12.5/-12.5	Dhs3	50	Da2	8	39	22	0.8	7	From -16 to 90	Dark Grey/Green	
DFH1-hs4-a1-FG-DG	3000	200	125	125	+8/-8	Dhs4	50	Da1	2	22	12	0.8	5	From -16 to 90	Dark Grey/Green	Applications : Forging Hammers, Heavy Gen Sets, Heavy Industrial machines, Test Rigs, Heavy presses, crushers etc.
DFH2-hs4-a1-FG-DG	3600	200	150	157	+10/-10	Dhs4	50	Da1	2	22	12	0.8	5	From -16 to 90	Dark Grey/Green	
DFH3-hs4-a1-FG-DG	5700	280	170	187	+12.5/-12.5	Dhs4	50	Da1	2	39	22	0.8	5	From -16 to 90	Dark Grey/Green	
DFH1-hs5-a2-FG-DG	7000	200	125	161	+8/-8	Dhs5	80	Da2	8	22	12	0.8	5	From -16 to 90	Dark Grey/Green	Applications : Forging Hammers, Heavy Gen Sets, Heavy Industrial machines, Test Rigs, Heavy presses etc.
DFH2-hs5-a2-FG-DG	8400	200	150	193	+10/-10	Dhs5	80	Da2	8	22	12	0.8	5	From -16 to 90	Dark Grey/Green	
DFH3-hs5-a2-FG-DG	13330	280	170	223	+12.5/-12.5	Dhs5	80	Da2	8	39	22	0.8	5	From -16 to 90	Dark Grey/Green	



DFH1

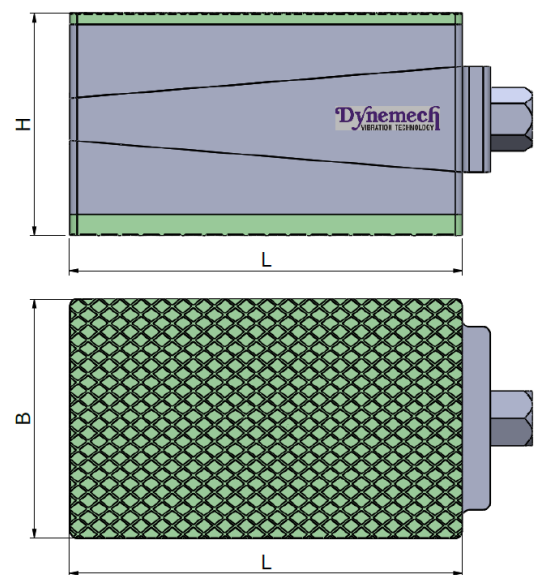


DFH2



DFH3

Model	Load Capacity Kg/pc	Length (L) mm	Width (B) mm	Height (H) at mean position (mm)	Adjustment Range (mm)	Bottom pad Type	Bottom pad Thickness (mm)	Top pad Type	Top pad Thickness (mm)	SW1 (mm)	SW2 (mm)	Coeff. of Friction against Concrete	Natural Frequency at Max. Load (Hz)	Temperature Range (°C)	Color	Applications
DFH1-h-a1-FG-DG	7500	200	125	90	+8/-8	Dh	15	Da1	2	22	12	0.6	45	From -16 to 90	Dark Grey/Green	Applications : Very Heavy and long bed machines, long machining centres, planners etc.
DFH2-h-a1-FG-DG	9000	200	150	122	+10/-10	Dh	15	Da1	2	22	12	0.6	45	From -16 to 90	Dark Grey/Green	
DFH3-h-a1-FG-DG	14000	280	170	152	+12.5/-12.5	Dh	15	Da1	2	39	22	0.6	45	From -16 to 90	Dark Grey/Green	



DFH1

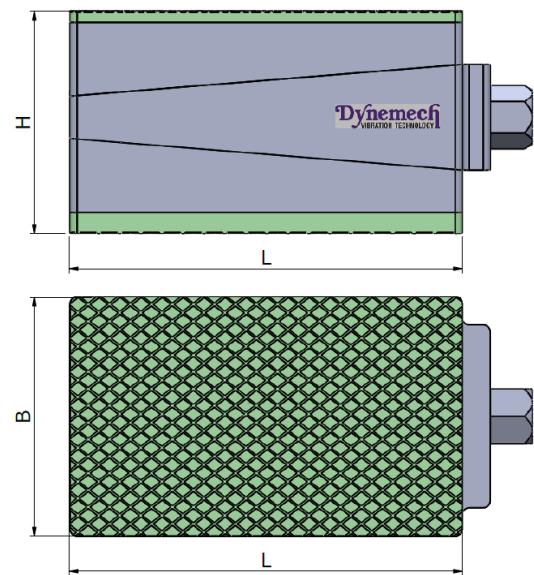


DFH2



DFH3

Model	Load Capacity Kg/pc	Length (L) mm	Width (B) mm	Height (H) at mean position (mm)	Adjustment Range (mm)	Bottom pad Type	Bottom pad Thickness (mm)	Top pad Type	Top pad Thickness (mm)	SW1 (mm)	SW2 (mm)	Coeff. of Friction against Concrete	Natural Frequency at Max. Load (Hz)	Temperature Range (°C)	Color	Applications
DFH1-a1-a1-FG-DG	4500	200	125	77	+8/-8	Da1	2	Da1	2	22	12	0.8	70	From -16 to 90	Dark Grey/Green	
DFH2-a1-a1-FG-DG	5400	200	150	109	+10/-10	Da1	2	Da1	2	22	12	0.8	70	From -16 to 90	Dark Grey/Green	
DFH3-a1-a1-FG-DG	8570	280	170	139	+12.5/-12.5	Da1	2	Da1	2	39	22	0.8	70	From -16 to 90	Dark Grey/Green	



DFH1

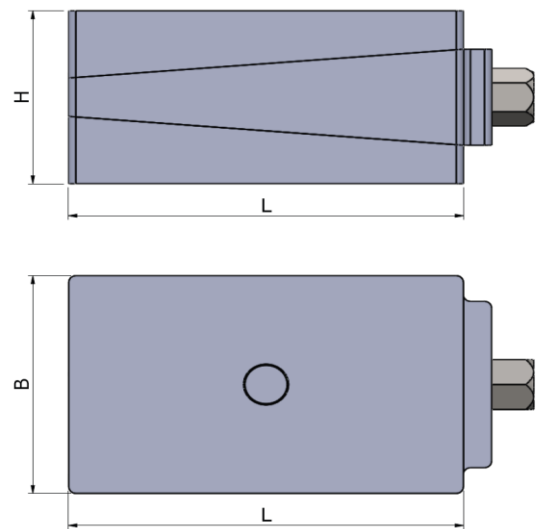


DFH2



DFH3

Model	Load Capacity Kg/pc	Length (L) mm	Width (B) mm	Height (H) at mean position (mm)	Adjustment Range (mm)	Bottom pad Type	Bottom pad Thickness (mm)	Top pad Type	Top pad Thickness (mm)	SW1 (mm)	SW2 (mm)	Coeff. of Friction against Concrete	Natural Frequency at Max. Load (Hz)	Temperature Range (°C)	Color	Applications
DFH1-a2-a2-FG-DG	2500	200	125	89	+8/-8	Da2	8	Da2	8	22	12	0.9	45	From -16 to 90	Dark Grey/Green	
DFH2-a2-a2-FG-DG	3000	200	150	121	+10/-10	Da2	8	Da2	8	22	12	0.9	45	From -16 to 90	Dark Grey/Green	
DFH3-a2-a2-FG-DG	4760	280	170	151	+12.5/-12.5	Da2	8	Da2	8	39	22	0.9	45	From -16 to 90	Dark Grey/Green	



DFH1



DFH2



DFH3

Model	Load Capacity Kg/pc	Length (L) mm	Width (B) mm	Height (H) at mean position (mm)	Adjustment Range (mm)	Bottom pad Type	Bottom pad Thickness (mm)	Top pad Type	Top pad Thickness (mm)	SW1 (mm)	SW2 (mm)	Coeff. of Friction against Concrete	Natural Frequency at Max. Load (Hz)	Temperature Range (°C)	Color	Applications
DFH1-FG-DG	13000	200	125	73	+8/-8	X	X	X	X	22	12	X	X	From -16 to 90	Dark Grey/Green	Applications : For levelling of all Precision Machines.
DFH2-FG-DG	16000	200	150	105	+10/-10	X	X	X	X	22	12	X	X	From -16 to 90	Dark Grey/Green	
DFH3-FG-DG	23800	280	170	135	+12.5/-12.5	X	X	X	X	39	22	X	X	From -16 to 90	Dark Grey/Green	