

DBSP1



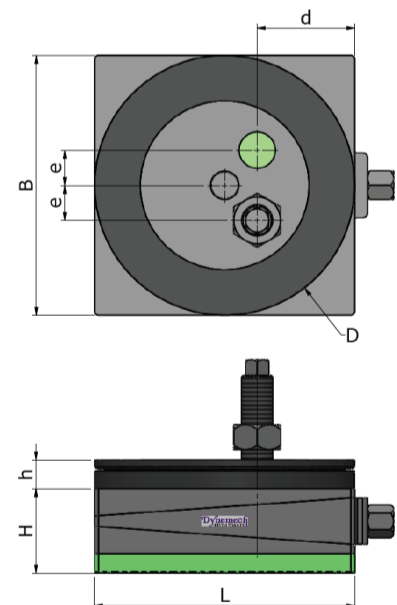
DBSP3



DBSP5

SPHERICAL POSITIONERS are designed to transmit the load of the machine to the ground through wedge mounts at 90 degree despite the angle difference between machine base and foundation. The pressure on the insulation plates remain even. thus, better alignment is possible. variations are available for free standing and bolt on machine bases either with or without insulation damping. Dynemech is open to the idea of developing Customer specific requirements.

Model	Load Capacity Kg/pc	Length (L) mm	Width (B) mm	Height (H) at mean position (mm)	d (mm)	e (mm)	BOLT (mm)	h (mm)	D (mm)	Adjst. Range (mm)	Bottom pad Type	Bottom pad Thickness (mm)	SW1 (mm)	SW2 (mm)	Coeff. of Friction against Concrete	Natural Frequency at Max. Load (Hz)	Temperature Range (°C)	Color	Applications
DBSP1-u-M16x2.0x150-S-Z-GR	1200	115	115	59	50	24	M16	19	110	+4/-4	Du	15	19	10	0.9	18	From -16 to 90	Dark Grey/Green	Applications: Tool Room Machines, Plastic Injection Moulding Machines, Pressure Die Casting Machines, Shaper, Printing and Textile Machines etc.
DBSP2-u-M18x2.5x150-S-Z-GR	2000	150	150	65	60	23	M18	20	150	+5/-5	Du	15	22	12	0.9	18	From -16 to 90	Dark Grey/Green	
DBSP3-u-M20x2.5x150-S-Z-GR	3600	200	200	65	75	27	M20	22	200	+6/-6	Du	15	22	12	0.9	18	From -16 to 90	Dark Grey/Green	
DBSP4-u-M20x2.5x200-S-Z-GR	4500	200	250	85	95	27	M20	22	200	+9/-9	Du	15	27	14	0.9	18	From -16 to 90	Dark Grey/Green	
DBSP5-u-M24x3.0x200-S-Z-GR	7200	250	320	90	125	55	M24	28	250	+9/-9	Du	15	32	18	0.9	18	From -16 to 90	Dark Grey/Green	
DBSP6-u-M24x3.0x200-S-Z-GR	10000	300	400	90	148	50	M24	32	300	+10/-10	Du	15	32	18	0.9	18	From -16 to 90	Dark Grey/Green	
DBSP1-u-10-M16x2.0x150-S-Z-GR	1200	115	115	59	50	24	M16	19	110	+4/-4	Du-10	10	19	10	0.9	25	From -16 to 90	Dark Grey/Green	Applications: Tool Room Machines, Plastic Injection Moulding Machines, Pressure Die Casting Machines, Shaper, Printing and Textile Machines etc.
DBSP2-u-10-M18x2.5x150-S-Z-GR	2000	150	150	65	60	23	M18	20	150	+5/-5	Du-10	10	22	12	0.9	25	From -16 to 90	Dark Grey/Green	
DBSP3-u-10-M20x2.5x150-S-Z-GR	3600	200	200	65	75	27	M20	22	200	+6/-6	Du-10	10	22	12	0.9	25	From -16 to 90	Dark Grey/Green	
DBSP4-u-10-M20x2.5x200-S-Z-GR	4500	200	250	85	95	27	M20	22	200	+9/-9	Du-10	10	27	14	0.9	25	From -16 to 90	Dark Grey/Green	
DBSP5-u-10-M24x3.0x200-S-Z-GR	7200	250	320	90	125	55	M24	28	250	+9/-9	Du-10	10	32	18	0.9	25	From -16 to 90	Dark Grey/Green	
DBSP6-u-10-M24x3.0x200-S-Z-GR	10000	300	400	90	148	50	M24	32	300	+10/-10	Du-10	10	32	18	0.9	25	From -16 to 90	Dark Grey/Green	
DBSP1-u-12-M16x2.0x150-S-Z-GR	1200	115	115	59	50	24	M16	19	110	+4/-4	Du-12	12	19	10	0.9	20	From -16 to 90	Dark Grey/Green	Applications: Tool Room Machines, Plastic Injection Moulding Machines, Pressure Die Casting Machines, Shaper, Printing and Textile Machines etc.
DBSP2-u-12-M18x2.5x150-S-Z-GR	2000	150	150	65	60	23	M18	20	150	+5/-5	Du-12	12	22	12	0.9	20	From -16 to 90	Dark Grey/Green	
DBSP3-u-12-M20x2.5x150-S-Z-GR	3600	200	200	65	75	27	M20	22	200	+6/-6	Du-12	12	22	12	0.9	20	From -16 to 90	Dark Grey/Green	
DBSP4-u-12-M20x2.5x200-S-Z-GR	4500	200	250	85	95	27	M20	22	200	+9/-9	Du-12	12	27	14	0.9	20	From -16 to 90	Dark Grey/Green	
DBSP5-u-12-M24x3.0x200-S-Z-GR	7200	250	320	90	125	55	M24	28	250	+9/-9	Du-12	12	32	18	0.9	20	From -16 to 90	Dark Grey/Green	
DBSP6-u-12-M24x3.0x200-S-Z-GR	10000	300	400	90	148	50	M24	32	300	+10/-10	Du-12	12	32	18	0.9	20	From -16 to 90	Dark Grey/Green	



DBSP1

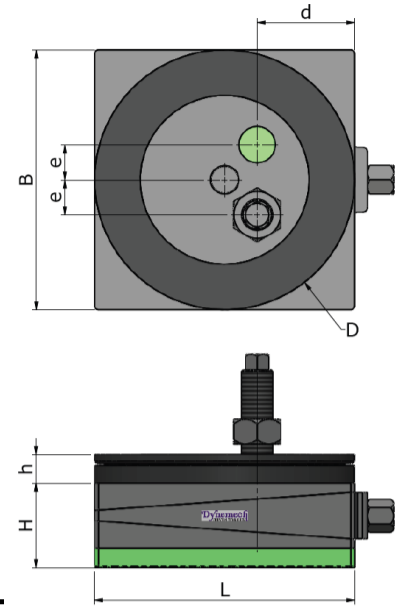


DBSP3



DBSP5

Model	Load Capacity Kg/pc	Length (L) mm	Width (B) mm	Height (H) at mean position (mm)	d (mm)	e (mm)	BOLT (mm)	h (mm)	D (mm)	Adjst. Range (mm)	Bottom pad Type	Bottom pad Thickness (mm)	SW1 (mm)	SW2 (mm)	Coeff. of Friction against Concrete	Natural Frequency at Max. Load (Hz)	Temperature Range (°C)	Color	Applications
DBSP1-m-M16x2.0x150-S-Z-GR	1300	115	115	59	50	24	M16	19	110	+4/-4	Dm	15	19	10	0.7	30	From -16 to 90	Dark Grey/Green	Applications: Power Presses, Stamping Machines, Shearing Machines, Punching Machines. For machines with high vertical impact.
DBSP2-m-M18x2.5x150-S-Z-GR	2250	150	150	65	60	23	M18	20	150	+5/-5	Dm	15	22	12	0.7	30	From -16 to 90	Dark Grey/Green	
DBSP3-m-M20x2.5x150-S-Z-GR	4000	200	200	65	75	27	M20	22	200	+6/-6	Dm	15	22	12	0.7	30	From -16 to 90	Dark Grey/Green	
DBSP4-m-M20x2.5x200-S-Z-GR	5000	200	250	85	95	27	M20	22	200	+9/-9	Dm	15	27	14	0.7	30	From -16 to 90	Dark Grey/Green	
DBSP5-m-M24x3.0x200-S-Z-GR	8000	250	320	90	125	55	M24	28	250	+9/-9	Dm	15	32	18	0.7	30	From -16 to 90	Dark Grey/Green	
DBSP6-m-M24x3.0x200-S-Z-GR	8500	300	400	90	148	50	M24	32	300	+10/-10	Dm	15	32	18	0.7	30	From -16 to 90	Dark Grey/Green	



DBSP1

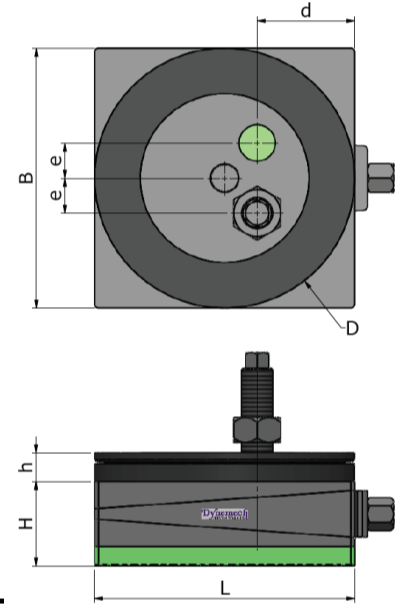


DBSP3



DBSP5

Model	Load Capacity Kg/pc	Length (L) mm	Width (B) mm	Height (H) at mean position (mm)	d (mm)	e (mm)	BOLT (mm)	h (mm)	D (mm)	Adjst. Range (mm)	Bottom pad Type	Bottom pad Thickness (mm)	SW1 (mm)	SW2 (mm)	Coeff. of Friction against Concrete	Natural Frequency at Max. Load (Hz)	Temperature Range (°C)	Color	Applications
DBSP1-i-M16x2.0x150-S-Z-GR	1800	115	115	69	50	24	M16	19	110	+4/-4	Di	25	19	10	0.8	7	From -16 to 90	Dark Grey/Green	Applications: Power Presses, Stamping Machines, Shearing Machines, Punching Machines. For machines with high vertical impact.
DBSP2-i-M18x2.5x150-S-Z-GR	2900	150	150	75	60	23	M18	20	150	+5/-5	Di	25	22	12	0.8	7	From -16 to 90	Dark Grey/Green	
DBSP3-i-M20x2.5x150-S-Z-GR	5200	200	200	75	75	27	M20	22	200	+6/-6	Di	25	22	12	0.8	7	From -16 to 90	Dark Grey/Green	
DBSP4-i-M20x2.5x200-S-Z-GR	6500	200	250	95	95	27	M20	22	200	+9/-9	Di	25	27	14	0.8	7	From -16 to 90	Dark Grey/Green	
DBSP5-i-M24x3.0x200-S-Z-GR	10000	250	320	100	125	55	M24	28	250	+9/-9	Di	25	32	18	0.8	7	From -16 to 90	Dark Grey/Green	
DBSP6-i-M24x3.0x200-S-Z-GR	15000	300	400	100	148	50	M24	32	300	+10/-10	Di	25	32	18	0.8	7	From -16 to 90	Dark Grey/Green	



DBSP1

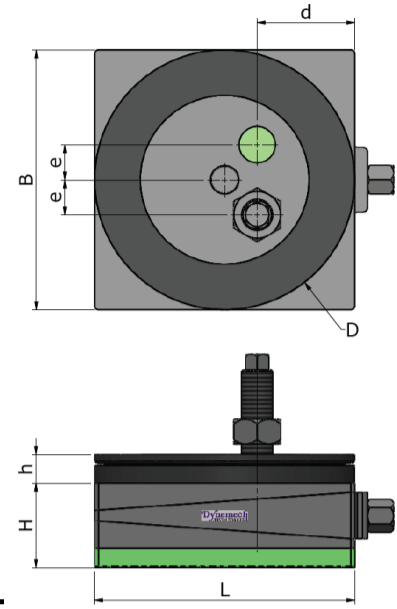


DBSP3



DBSP5

Model	Load Capacity Kg/pc	Length (L) mm	Width (B) mm	Height (H) at mean position (mm)	d (mm)	e (mm)	BOLT (mm)	h (mm)	D (mm)	Adjst. Range (mm)	Bottom pad Type	Bottom pad Thickness (mm)	SW1 (mm)	SW2 (mm)	Coeff. of Friction against Concrete	Natural Frequency at Max. Load (Hz)	Temperature Range (°C)	Color	Applications
DBSP1-p1-M16x2.0x150-S-Z-GR	530	115	115	59	50	24	M16	19	110	+4/-4	Dp1	15	19	10	0.8	7	From -16 to 90	Dark Grey/Green	Applications: Power Presses, Stamping Machines, Shearing Machines, Punching Machines. For machines with high vertical impact.
DBSP2-p1-M18x2.5x150-S-Z-GR	900	150	150	65	60	23	M18	20	150	+5/-5	Dp1	15	22	12	0.8	7	From -16 to 90	Dark Grey/Green	
DBSP3-p1-M20x2.5x150-S-Z-GR	1600	200	200	65	75	27	M20	22	200	+6/-6	Dp1	15	22	12	0.8	7	From -16 to 90	Dark Grey/Green	
DBSP4-p1-M20x2.5x200-S-Z-GR	2000	200	250	85	95	27	M20	22	200	+9/-9	Dp1	15	27	14	0.8	7	From -16 to 90	Dark Grey/Green	
DBSP5-p1-M24x3.0x200-S-Z-GR	3200	250	320	90	125	55	M24	28	250	+9/-9	Dp1	15	32	18	0.8	7	From -16 to 90	Dark Grey/Green	
DBSP6-p1-M24x3.0x200-S-Z-GR	4800	300	400	90	148	50	M24	32	300	+10/-10	Dp1	15	32	18	0.8	7	From -16 to 90	Dark Grey/Green	
DBSP1-p2-M16x2.0x150-S-Z-GR	660	115	115	64	50	24	M16	19	110	+4/-4	Dp2	20	19	10	0.8	12	From -16 to 90	Dark Grey/Green	Applications: Medium Presses, Punching Presses, Centreless Grinding Machines, Gear Shapers, High Speed Machines on upper floors.
DBSP2-p2-M18x2.5x150-S-Z-GR	1125	150	150	70	60	23	M18	20	150	+5/-5	Dp2	20	22	12	0.8	12	From -16 to 90	Dark Grey/Green	
DBSP3-p2-M20x2.5x150-S-Z-GR	2000	200	200	70	75	27	M20	22	200	+6/-6	Dp2	20	22	12	0.8	12	From -16 to 90	Dark Grey/Green	
DBSP4-p2-M20x2.5x200-S-Z-GR	2500	200	250	90	95	27	M20	22	200	+9/-9	Dp2	20	27	14	0.8	12	From -16 to 90	Dark Grey/Green	
DBSP5-p2-M24x3.0x200-S-Z-GR	4000	250	320	95	125	55	M24	28	250	+9/-9	Dp2	20	32	18	0.8	12	From -16 to 90	Dark Grey/Green	
DBSP6-p2-M24x3.0x200-S-Z-GR	6000	300	400	95	148	50	M24	32	300	+10/-10	Dp2	20	32	18	0.8	12	From -16 to 90	Dark Grey/Green	
DBSP1-p3-M16x2.0x150-S-Z-GR	800	115	115	68	50	24	M16	19	110	+4/-4	Dp3	24	19	10	0.8	7	From -16 to 90	Dark Grey/Green	Applications: Tool Room Machines on suspended Floors, Light Weight Presses, Compressors etc.
DBSP2-p3-M18x2.5x150-S-Z-GR	1350	150	150	74	60	23	M18	20	150	+5/-5	Dp3	24	22	12	0.8	7	From -16 to 90	Dark Grey/Green	
DBSP3-p3-M20x2.5x150-S-Z-GR	2400	200	200	74	75	27	M20	22	200	+6/-6	Dp3	24	22	12	0.8	7	From -16 to 90	Dark Grey/Green	
DBSP4-p3-M20x2.5x200-S-Z-GR	3000	200	250	94	95	27	M20	22	200	+9/-9	Dp3	24	27	14	0.8	7	From -16 to 90	Dark Grey/Green	
DBSP5-p3-M24x3.0x200-S-Z-GR	4800	250	320	99	125	55	M24	28	250	+9/-9	Dp3	24	32	18	0.8	7	From -16 to 90	Dark Grey/Green	
DBSP6-p3-M24x3.0x200-S-Z-GR	7200	300	400	99	148	50	M24	32	300	+10/-10	Dp3	24	32	18	0.8	7	From -16 to 90	Dark Grey/Green	



DBSP1

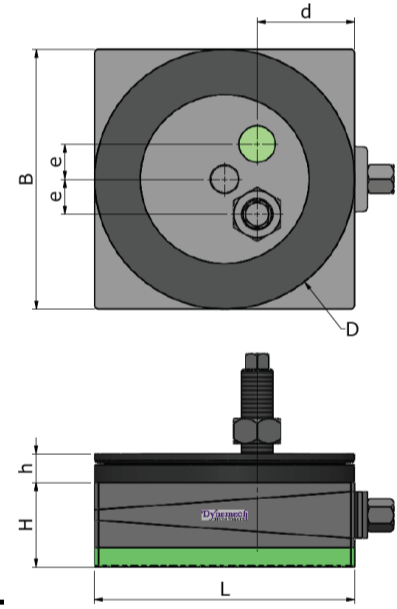


DBSP3



DBSP5

Model	Load Capacity Kg/pc	Length (L) mm	Width (B) mm	Height (H) at mean position (mm)	d (mm)	e (mm)	BOLT (mm)	h (mm)	D (mm)	Adjst. Range (mm)	Bottom pad Type	Bottom pad Thickness (mm)	SW1 (mm)	SW2 (mm)	Coeff. of Friction against Concrete	Natural Frequency at Max. Load (Hz)	Temperature Range (°C)	Color	Applications
DBSP1-s1-M16x2.0x150-S-Z-GR	660	115	115	64	50	24	M16	19	110	+4/-4	Ds1	20	19	10	0.8	15	From -16 to 90	Dark Grey/Green	Applications: Tool Room Machines, Plastic Injection Moulding Machines, Pressure Die Casting Machines, Shaper, Printing and Textile Machines etc.
DBSP2-s1-M18x2.5x150-S-Z-GR	1120	150	150	70	60	23	M18	20	150	+5/-5	Ds1	20	22	12	0.8	15	From -16 to 90	Dark Grey/Green	
DBSP3-s1-M20x2.5x150-S-Z-GR	2000	200	200	70	75	27	M20	22	200	+6/-6	Ds1	20	22	12	0.8	15	From -16 to 90	Dark Grey/Green	
DBSP4-s1-M20x2.5x200-S-Z-GR	2500	200	250	90	95	27	M20	22	200	+9/-9	Ds1	20	27	14	0.8	15	From -16 to 90	Dark Grey/Green	
DBSP5-s1-M24x3.0x200-S-Z-GR	4000	250	320	95	125	55	M24	28	250	+9/-9	Ds1	20	32	18	0.8	15	From -16 to 90	Dark Grey/Green	
DBSP6-s1-M24x3.0x200-S-Z-GR	6000	300	400	95	148	50	M24	32	300	+10/-10	Ds1	20	32	18	0.8	15	From -16 to 90	Dark Grey/Green	
DBSP1-s2-M16x2.0x150-S-Z-GR	950	115	115	69	50	24	M16	19	110	+4/-4	Ds2	25	19	10	0.8	8	From -16 to 90	Dark Grey/Green	Applications: Power Presses, Stamping Machines, Shearing Machines, Punching Machines. For machines with high vertical impact.
DBSP2-s2-M18x2.5x150-S-Z-GR	1600	150	150	75	60	23	M18	20	150	+5/-5	Ds2	25	22	12	0.8	8	From -16 to 90	Dark Grey/Green	
DBSP3-s2-M20x2.5x150-S-Z-GR	2800	200	200	75	75	27	M20	22	200	+6/-6	Ds2	25	22	12	0.8	8	From -16 to 90	Dark Grey/Green	
DBSP4-s2-M20x2.5x200-S-Z-GR	3500	200	250	95	95	27	M20	22	200	+9/-9	Ds2	25	27	14	0.8	8	From -16 to 90	Dark Grey/Green	
DBSP5-s2-M24x3.0x200-S-Z-GR	5500	250	320	100	125	55	M24	28	250	+9/-9	Ds2	25	32	18	0.8	8	From -16 to 90	Dark Grey/Green	
DBSP6-s2-M24x3.0x200-S-Z-GR	8500	300	400	100	148	50	M24	32	300	+10/-10	Ds2	25	32	18	0.8	8	From -16 to 90	Dark Grey/Green	



DBSP1



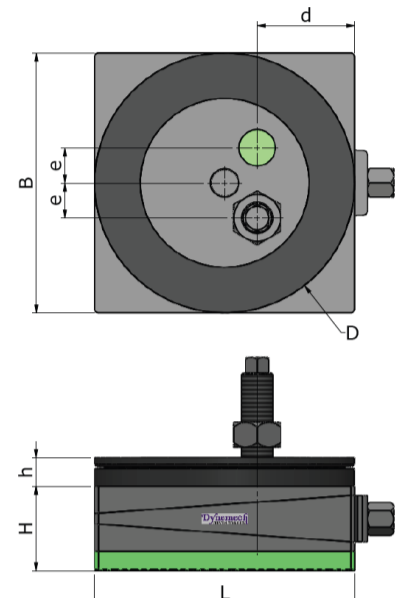
DBSP3



DBSP5

Model	Load Capacity Kg/pc	Length (L) mm	Width (B) mm	Height (H) at mean position (mm)	d (mm)	e (mm)	BOLT (mm)	h (mm)	D (mm)	Adjst. Range (mm)	Bottom pad Type	Bottom pad Thickness (mm)	SW1 (mm)	SW2 (mm)	Coeff. of Friction against Concrete	Natural Frequency at Max. Load (Hz)	Temperature Range (°C)	Color	Applications
DBSP1-hs1-M16x2.0x150-S-Z-GR	2600	115	115	109	50	24	M16	19	110	+4/-4	Dhs1	65	19	10	0.8	6	From -16 to 90	Dark Grey/Green	Applications : Forging Hammers, Heavy Gen Sets, Heavy Industrial machines, Test Rigs, Heavy presses etc.
DBSP2-hs1-M18x2.5x150-S-Z-GR	4500	150	150	115	60	23	M18	20	150	+5/-5	Dhs1	65	22	12	0.8	6	From -16 to 90	Dark Grey/Green	
DBSP3-hs1-M20x2.5x150-S-Z-GR	8000	200	200	115	75	27	M20	22	200	+6/-6	Dhs1	65	22	12	0.8	6	From -16 to 90	Dark Grey/Green	
DBSP4-hs1-M20x2.5x200-S-Z-GR	10000	200	250	135	95	27	M20	22	200	+9/-9	Dhs1	65	27	14	0.8	6	From -16 to 90	Dark Grey/Green	
DBSP5-hs1-M24x3.0x200-S-Z-GR	16000	250	320	140	125	55	M24	28	250	+9/-9	Dhs1	65	32	18	0.8	6	From -16 to 90	Dark Grey/Green	
DBSP6-hs1-M24x3.0x200-S-Z-GR	24000	300	400	140	148	50	M24	32	300	+10/-10	Dhs1	65	32	18	0.8	6	From -16 to 90	Dark Grey/Green	
DBSP1-hs2-M16x2.0x150-S-Z-GR	1060	115	115	109	50	24	M16	19	110	+4/-4	Dhs2	65	19	10	0.8	4	From -16 to 90	Dark Grey/Green	Applications : Forging Hammers, Heavy Gen Sets, Heavy Industrial machines, Test Rigs, Heavy presses, crushers etc.
DBSP2-hs2-M18x2.5x150-S-Z-GR	1800	150	150	115	60	23	M18	20	150	+5/-5	Dhs2	65	22	12	0.8	4	From -16 to 90	Dark Grey/Green	
DBSP3-hs2-M20x2.5x150-S-Z-GR	3200	200	200	115	75	27	M20	22	200	+6/-6	Dhs2	65	22	12	0.8	4	From -16 to 90	Dark Grey/Green	
DBSP4-hs2-M20x2.5x200-S-Z-GR	4000	200	250	135	95	27	M20	22	200	+9/-9	Dhs2	65	27	14	0.8	4	From -16 to 90	Dark Grey/Green	
DBSP5-hs2-M24x3.0x200-S-Z-GR	6400	250	320	140	125	55	M24	28	250	+9/-9	Dhs2	65	32	18	0.8	4	From -16 to 90	Dark Grey/Green	
DBSP6-hs2-M24x3.0x200-S-Z-GR	9600	300	400	140	148	50	M24	32	300	+10/-10	Dhs2	65	32	18	0.8	4	From -16 to 90	Dark Grey/Green	
DBSP1-hs3-M16x2.0x150-S-Z-GR	3700	115	115	94	50	24	M16	19	110	+4/-4	Dhs3	50	19	10	0.8	7	From -16 to 90	Dark Grey/Green	Applications : Forging Hammers, Heavy Gen Sets, Heavy Industrial machines, Test Rigs, Heavy presses etc.
DBSP2-hs3-M18x2.5x150-S-Z-GR	6300	150	150	100	60	23	M18	20	150	+5/-5	Dhs3	50	22	12	0.8	7	From -16 to 90	Dark Grey/Green	
DBSP3-hs3-M20x2.5x150-S-Z-GR	11200	200	200	100	75	27	M20	22	200	+6/-6	Dhs3	50	22	12	0.8	7	From -16 to 90	Dark Grey/Green	
DBSP4-hs3-M20x2.5x150-S-Z-GR	14000	200	250	120	95	27	M20	22	200	+9/-9	Dhs3	50	27	14	0.8	7	From -16 to 90	Dark Grey/Green	
DBSP5-hs3-M24x3.0x150-S-Z-GR	22400	250	320	125	125	55	M24	28	250	+9/-9	Dhs3	50	32	18	0.8	7	From -16 to 90	Dark Grey/Green	
DBSP6-hs3-M24x3.0x150-S-Z-GR	33600	300	400	125	148	50	M24	32	300	+10/-10	Dhs3	50	32	18	0.8	7	From -16 to 90	Dark Grey/Green	
DBSP1-hs4-M16x2.0x150-S-Z-GR	1600	115	115	94	50	24	M16	19	110	+4/-4	Dhs4	50	19	10	0.8	5	From -16 to 90	Dark Grey/Green	Applications : Forging Hammers, Heavy Gen Sets, Heavy Industrial machines, Test Rigs, Heavy presses etc.
DBSP2-hs4-M18x2.5x150-S-Z-GR	2700	150	150	100	60	23	M18	20	150	+5/-5	Dhs4	50	22	12	0.8	5	From -16 to 90	Dark Grey/Green	
DBSP3-hs4-M20x2.5x150-S-Z-GR	4800	200	200	100	75	27	M20	22	200	+6/-6	Dhs4	50	22	12	0.8	5	From -16 to 90	Dark Grey/Green	

DBSP4-hs4-M20x2.5x200-S-Z-GR	6000	200	250	120	95	27	M20	22	200	+9/-9	Dhs4	50	27	14	0.8	5	From -16 to 90	Dark Grey/Green	Gen Sets, Heavy industrial machines, Test Rigs, Heavy presses, crushers etc.	
DBSP5-hs4-M24x3.0x200-S-Z-GR	9600	250	320	125	125	55	M24	28	250	+9/-9	Dhs4	50	32	18	0.8	5	From -16 to 90	Dark Grey/Green		
DBSP6-hs4-M24x3.0x200-S-Z-GR	14400	300	400	125	148	50	M24	32	300	+10/-10	Dhs4	50	32	18	0.8	5	From -16 to 90	Dark Grey/Green		
DBSP1-hs5-M16x2.0x150-S-Z-GR	3700	115	115	124	50	24	M16	19	110	+4/-4	Dhs5	80	19	10	0.8	5	From -16 to 90	Dark Grey/Green		Applications : Forging Hammers, Heavy Gen Sets, Heavy Industrial machines, Test Rigs, Heavy presses etc.
DBSP2-hs5-M18x2.5x150-S-Z-GR	6300	150	150	130	60	23	M18	20	150	+5/-5	Dhs5	80	22	12	0.8	5	From -16 to 90	Dark Grey/Green		
DBSP3-hs5-M20x2.5x150-S-Z-GR	11200	200	200	130	75	27	M20	22	200	+6/-6	Dhs5	80	22	12	0.8	5	From -16 to 90	Dark Grey/Green		
DBSP4-hs5-M20x2.5x200-S-Z-GR	14000	200	250	150	95	27	M20	22	200	+9/-9	Dhs5	80	27	14	0.8	5	From -16 to 90	Dark Grey/Green		
DBSP5-hs5-M24x3.0x200-S-Z-GR	22400	250	320	155	125	55	M24	28	250	+9/-9	Dhs5	80	32	18	0.8	5	From -16 to 90	Dark Grey/Green		
DBSP6-hs5-M24x3.0x200-S-Z-GR	33600	300	400	155	148	50	M24	32	300	+10/-10	Dhs5	80	32	18	0.8	5	From -16 to 90	Dark Grey/Green		



DBSP1

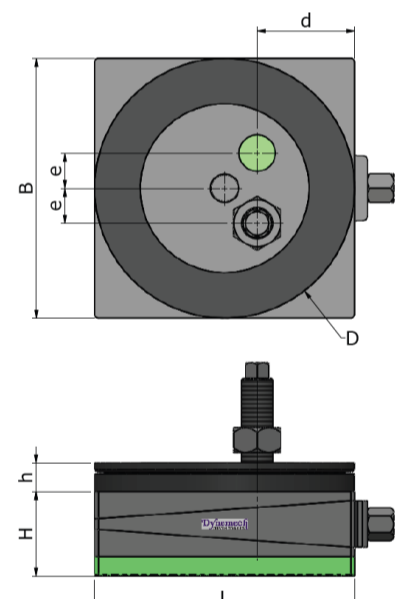


DBSP3



DBSP5

Model	Load Capacity Kg/pc	Length (L) mm	Width (B) mm	Height (H) at mean position (mm)	d (mm)	e (mm)	BOLT (mm)	h (mm)	D (mm)	Adjst. Range (mm)	Bottom pad Type	Bottom pad Thickness (mm)	SW1 (mm)	SW2 (mm)	Coeff. of Friction against Concrete	Natural Frequency at Max. Load (Hz)	Temperature Range (°C)	Color	Applications
DBSP1-h-M16x2.0x150-S-Z-GR	3970	115	115	59	50	24	M16	19	110	+4/-4	Dh	15	19	10	0.6	45	From -16 to 90	Dark Grey/Green	Applications : Very Heavy and long bed machines, long machining centres, planners etc.
DBSP2-h-M18x2.5x150-S-Z-GR	6750	150	150	65	60	23	M18	20	150	+5/-5	Dh	15	22	12	0.6	45	From -16 to 90	Dark Grey/Green	
DBSP3-h-M20x2.5x150-S-Z-GR	12000	200	200	65	75	27	M20	22	200	+6/-6	Dh	15	22	12	0.6	45	From -16 to 90	Dark Grey/Green	
DBSP4-h-M20x2.5x200-S-Z-GR	15000	200	250	85	95	27	M20	22	200	+9/-9	Dh	15	27	14	0.6	45	From -16 to 90	Dark Grey/Green	
DBSP5-h-M24x3.0x200-S-Z-GR	24000	250	320	90	125	55	M24	28	250	+9/-9	Dh	15	32	18	0.6	45	From -16 to 90	Dark Grey/Green	
DBSP6-h-M24x3.0x200-S-Z-GR	36000	300	400	90	148	50	M24	32	300	+10/-10	Dh	15	32	18	0.6	45	From -16 to 90	Dark Grey/Green	



DBSP1

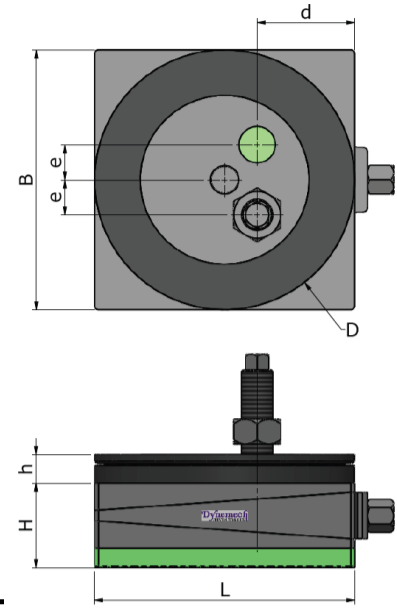


DBSP3



DBSP5

Model	Load Capacity Kg/pc	Length (L) mm	Width (B) mm	Height (H) at mean position (mm)	d (mm)	e (mm)	BOLT (mm)	h (mm)	D (mm)	Adjst. Range (mm)	Bottom pad Type	Bottom pad Thickness (mm)	SW1 (mm)	SW2 (mm)	Coeff. of Friction against Concrete	Natural Frequency at Max. Load (Hz)	Temperature Range (°C)	Color	Applications
DBSP1-a1-M16x2.0x150-S-Z-GR	2380	115	115	46	50	24	M16	19	110	+4/-4	Da1	2	19	10	0.8	70	From -16 to 90	Dark Grey/Green	
DBSP2-a1-M18x2.5x150-S-Z-GR	4050	150	150	52	60	23	M18	20	150	+5/-5	Da1	2	22	12	0.8	70	From -16 to 90	Dark Grey/Green	
DBSP3-a1-M20x2.5x150-S-Z-GR	7200	200	200	52	75	27	M20	22	200	+6/-6	Da1	2	22	12	0.8	70	From -16 to 90	Dark Grey/Green	
DBSP4-a1-M20x2.5x200-S-Z-GR	9000	200	250	72	95	27	M20	22	200	+9/-9	Da1	2	27	14	0.8	70	From -16 to 90	Dark Grey/Green	
DBSP5-a1-M24x3.0x200-S-Z-GR	14400	250	320	77	125	55	M24	28	250	+9/-9	Da1	2	32	18	0.8	70	From -16 to 90	Dark Grey/Green	
DBSP6-a1-M24x3.0x200-S-Z-GR	21600	300	400	77	148	50	M24	32	300	+10/-10	Da1	2	32	18	0.8	70	From -16 to 90	Dark Grey/Green	



DBSP1

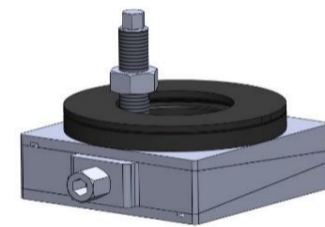
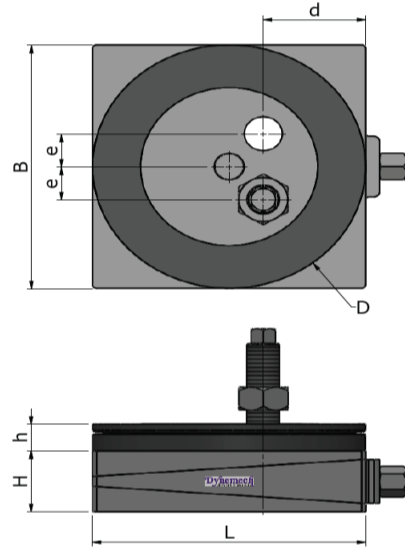


DBSP3

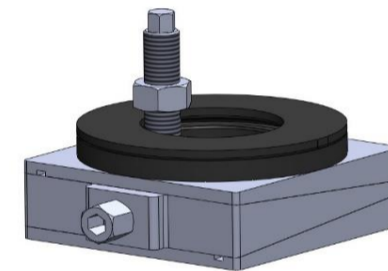


DBSP5

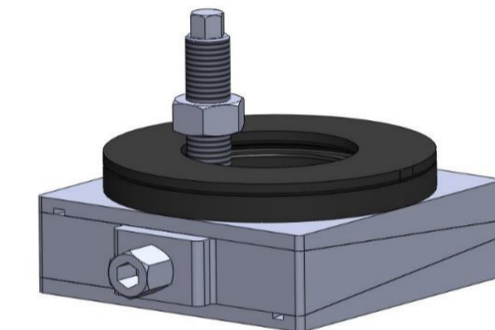
Model	Load Capacity Kg/pc	Length (L) mm	Width (B) mm	Height (H) at mean position (mm)	d (mm)	e (mm)	BOLT (mm)	h (mm)	D (mm)	Adjst. Range (mm)	Bottom pad Type	Bottom pad Thickness (mm)	SW1 (mm)	SW2 (mm)	Coeff. of Friction against Concrete	Natural Frequency at Max. Load (Hz)	Temperature Range (°C)	Color	Applications
DBSP1-a2-M16x2.0x150-S-Z-GR	1320	115	115	52	50	24	M16	19	110	+4/-4	Da2	8	19	10	0.9	45	From -16 to 90	Dark Grey/Green	
DBSP2-a2-M18x2.5x150-S-Z-GR	2250	150	150	58	60	23	M18	20	150	+5/-5	Da2	8	22	12	0.9	45	From -16 to 90	Dark Grey/Green	
DBSP3-a2-M20x2.5x150-S-Z-GR	4000	200	200	58	75	27	M20	22	200	+6/-6	Da2	8	22	12	0.9	45	From -16 to 90	Dark Grey/Green	
DBSP4-a2-M20x2.5x200-S-Z-GR	5000	200	250	78	95	27	M20	22	200	+9/-9	Da2	8	27	14	0.9	45	From -16 to 90	Dark Grey/Green	
DBSP5-a2-M24x3.0x200-S-Z-GR	8000	250	320	83	125	55	M24	28	250	+9/-9	Da2	8	32	18	0.9	45	From -16 to 90	Dark Grey/Green	
DBSP6-a2-M24x3.0x200-S-Z-GR	12000	300	400	83	148	50	M24	32	300	+10/-10	Da2	8	32	18	0.9	45	From -16 to 90	Dark Grey/Green	



DBSP1



DBSP3



DBSP5

Model	Load Capacity Kg/pc	Length (L) mm	Width (B) mm	Height (H) at mean position (mm)	d (mm)	e (mm)	BOLT (mm)	h (mm)	D (mm)	Adjst. Range (mm)	Bottom pad Type	Bottom pad Thickness (mm)	SW1 (mm)	SW2 (mm)	Coeff. of Friction against Concrete	Natural Frequency at Max. Load (Hz)	Temperature Range (°C)	Color	Applications
DBSP1-M16x2.0x150-S-Z-GR	3600	115	115	44	50	24	M16	19	110	8	X	X	19	10	X	X	From -16 to 90	Dark Grey	
DBSP2-M18x2.5x150-S-Z-GR	5800	150	150	50	60	23	M18	20	150	10	X	X	22	12	X	X	From -16 to 90	Dark Grey	
DBSP3-M20x2.5x150-S-Z-GR	10400	200	200	50	75	27	M20	22	200	12	X	X	22	12	X	X	From -16 to 90	Dark Grey	
DBSP4-M20x2.5x200-S-Z-GR	13000	200	250	70	95	27	M20	22	200	18	X	X	27	14	X	X	From -16 to 90	Dark Grey	
DBSP5-M24x3.0x200-S-Z-GR	20000	250	320	75	125	55	M24	28	250	18	X	X	32	18	X	X	From -16 to 90	Dark Grey	
DBSP6-M24x3.0x200-S-Z-GR	30000	300	400	75	148	50	M24	32	300	20	X	X	32	18	X	X	From -16 to 90	Dark Grey	