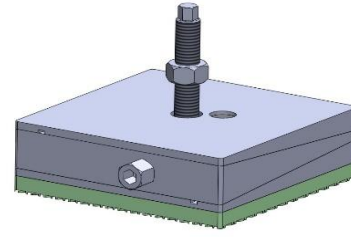
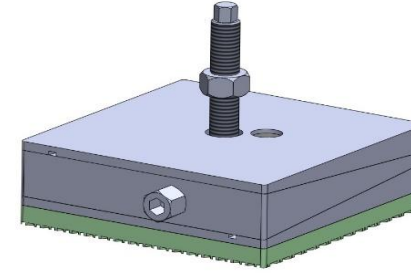


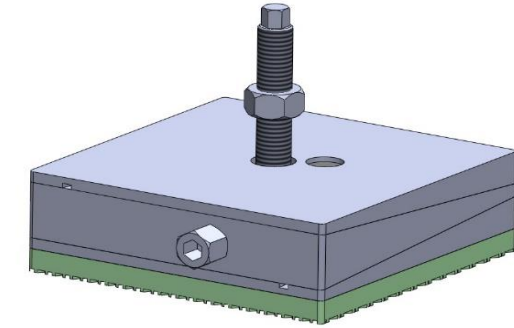
DBO1



DBO3



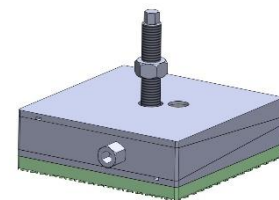
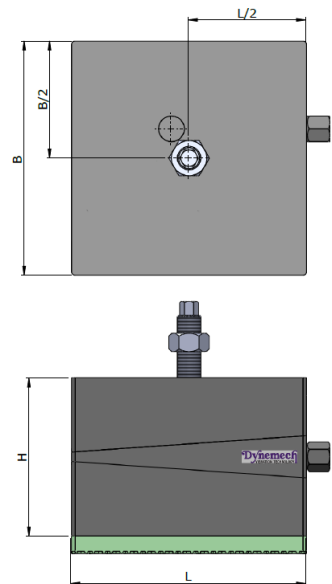
DBO5



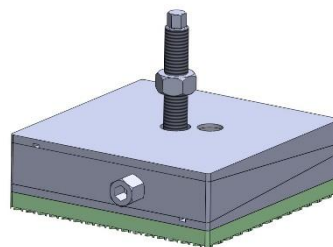
DBO7

Dynemech Wedge mounts, Series DBO are designed for industrial machine tools that require precision levelling, vibration reduction, and/or need to be firmly mounted with the isolator.

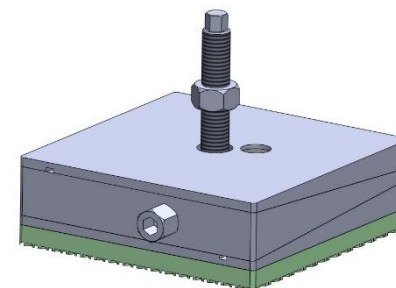
Model	Load Capacity Kg/pc	Length (L) mm	Width (B) mm	Height (H) at mean position (mm)	BOLT SIZE (mm)	Adjustment Range (mm)	Bottom pad Type	Bottom pad Thickness (mm)	SW1 (mm)	SW2 (mm)	Coeff. of Friction against Concrete	Natural Frequency at Max. Load (Hz)	Temperature Range (°C)	Color	Applications
DBO1-u-FG-S-Z-GR	1100	115	115	59	M16/18/20/22/24	+4/-4	Du	15	19	10	0.9	18	From -16 to 90	Dark Grey/Green	Applications: Tool Room Machines, Plastic Injection Moulding Machines, Pressure Die Casting Machines, Shaper, Printing and Textile Machines etc.
DBO2-u-FG-S-Z-GR	1800	150	150	65	M16/18/20/22/24	+5/-5	Du	15	22	12	0.9	18	From -16 to 90	Dark Grey/Green	
DBO3-u-FG-S-Z-GR	3200	200	200	65	M16/18/20/22/24	+6/-6	Du	15	22	12	0.9	18	From -16 to 90	Dark Grey/Green	
DBO4-u-FG-S-Z-GR	4000	200	250	85	M16/18/20/22/24	+9/-9	Du	15	27	14	0.9	18	From -16 to 90	Dark Grey/Green	
DBO5-u-FG-S-Z-GR	6400	250	320	90	M16/18/20/22/24	+9/-9	Du	15	32	18	0.9	18	From -16 to 90	Dark Grey/Green	
DBO6-u-FG-S-Z-GR	9600	300	400	90	M16/18/20/22/24	+10/-10	Du	15	32	18	0.9	18	From -16 to 90	Dark Grey/Green	
DBO7-u-FG-S-Z-GR	16000	400	500	95	M16/18/20/22/24	+10/-10	Du	15	39	22	0.9	18	From -16 to 90	Dark Grey/Green	
DBO1-u-10-FG-S-Z-GR	1100	115	115	54	M16/18/20/22/24	+4/-4	Du-10	10	19	10	0.9	25	From -16 to 90	Dark Grey/Green	Applications: Tool Room Machines, Plastic Injection Moulding Machines, Pressure Die Casting Machines, Shaper, Printing and Textile Machines etc.
DBO2-u-10-FG-S-Z-GR	1800	150	150	60	M16/18/20/22/24	+5/-5	Du-10	10	22	12	0.9	25	From -16 to 90	Dark Grey/Green	
DBO3-u-10-FG-S-Z-GR	3200	200	200	60	M16/18/20/22/24	+6/-6	Du-10	10	22	12	0.9	25	From -16 to 90	Dark Grey/Green	
DBO4-u-10-FG-S-Z-GR	4000	200	250	80	M16/18/20/22/24	+9/-9	Du-10	10	27	14	0.9	25	From -16 to 90	Dark Grey/Green	
DBO5-u-10-FG-S-Z-GR	6400	250	320	85	M16/18/20/22/24	+9/-9	Du-10	10	32	18	0.9	25	From -16 to 90	Dark Grey/Green	
DBO6-u-10-FG-S-Z-GR	9600	300	400	85	M16/18/20/22/24	+10/-10	Du-10	10	32	18	0.9	25	From -16 to 90	Dark Grey/Green	
DBO7-u-10-FG-S-Z-GR	16000	400	500	90	M16/18/20/22/24	+10/-10	Du-10	10	39	22	0.9	25	From -16 to 90	Dark Grey/Green	
DBO1-u-12-FG-S-Z-GR	1100	115	115	56	M16/18/20/22/24	+4/-4	Du-12	12	19	10	0.9	20	From -16 to 90	Dark Grey/Green	Applications: Tool Room Machines, Plastic Injection Moulding Machines, Pressure Die Casting Machines, Shaper, Printing and Textile Machines etc.
DBO2-u-12-FG-S-Z-GR	1800	150	150	62	M16/18/20/22/24	+5/-5	Du-12	12	22	12	0.9	20	From -16 to 90	Dark Grey/Green	
DBO3-u-12-FG-S-Z-GR	3200	200	200	62	M16/18/20/22/24	+6/-6	Du-12	12	22	12	0.9	20	From -16 to 90	Dark Grey/Green	
DBO4-u-12-FG-S-Z-GR	4000	200	250	82	M16/18/20/22/24	+9/-9	Du-12	12	27	14	0.9	20	From -16 to 90	Dark Grey/Green	
DBO5-u-12-FG-S-Z-GR	6400	250	320	87	M16/18/20/22/24	+9/-9	Du-12	12	32	18	0.9	20	From -16 to 90	Dark Grey/Green	
DBO6-u-12-FG-S-Z-GR	9600	300	400	87	M16/18/20/22/24	+10/-10	Du-12	12	32	18	0.9	20	From -16 to 90	Dark Grey/Green	
DBO7-u-12-FG-S-Z-GR	16000	400	500	92	M16/18/20/22/24	+10/-10	Du-12	12	39	22	0.9	20	From -16 to 90	Dark Grey/Green	



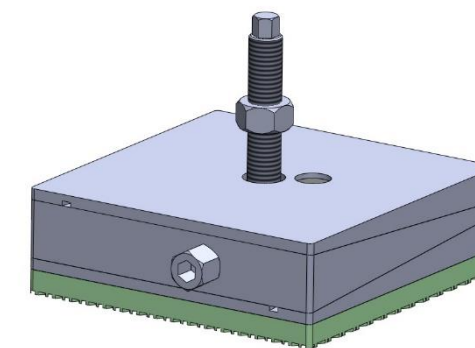
DBO1



DBO3

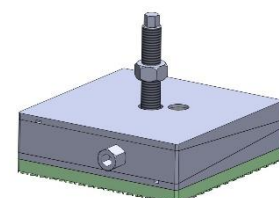
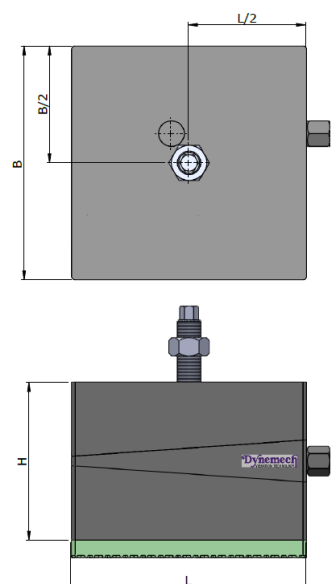


DBO5

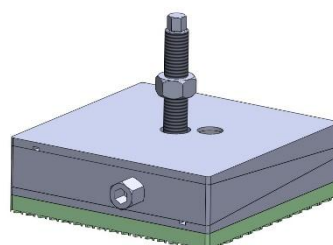


DBO7

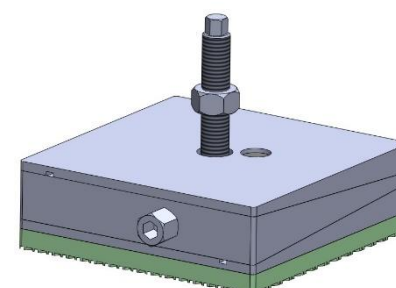
Model	Load Capacity Kg/pc	Length (L) mm	Width (B) mm	Height (H) at mean position (mm)	BOLT SIZE (mm)	Adjustment Range (mm)	Bottom pad Type	Bottom pad Thickness (mm)	SW1 (mm)	SW2 (mm)	Coeff. of Friction against Concrete	Natural Frequency at Max. Load (Hz)	Temperature Range (°C)	Color	Applications
DBO1-m-FG-S-Z-GR	1400	115	115	59	M16/18/20/22/24	+4/-4	Dm	15	19	10	0.7	30	From -16 to 90	Dark Grey/Green	Applications: Power Presses, Stamping Machines, Shearing Machines, Punching Machines. For machines with high vertical impact.
DBO2-m-FG-S-Z-GR	2200	150	150	65	M16/18/20/22/24	+5/-5	Dm	15	22	12	0.7	30	From -16 to 90	Dark Grey/Green	
DBO3-m-FG-S-Z-GR	4000	200	200	65	M16/18/20/22/24	+6/-6	Dm	15	22	12	0.7	30	From -16 to 90	Dark Grey/Green	
DBO4-m-FG-S-Z-GR	5000	200	250	85	M16/18/20/22/24	+9/-9	Dm	15	27	14	0.7	30	From -16 to 90	Dark Grey/Green	
DBO5-m-FG-S-Z-GR	8000	250	320	90	M16/18/20/22/24	+9/-9	Dm	15	32	18	0.7	30	From -16 to 90	Dark Grey/Green	
DBO6-m-FG-S-Z-GR	12000	300	400	90	M16/18/20/22/24	+10/-10	Dm	15	32	18	0.7	30	From -16 to 90	Dark Grey/Green	
DBO7-m-FG-S-Z-GR	20000	400	500	95	M16/18/20/22/24	+10/-10	Dm	15	39	22	0.7	30	From -16 to 90	Dark Grey/Green	



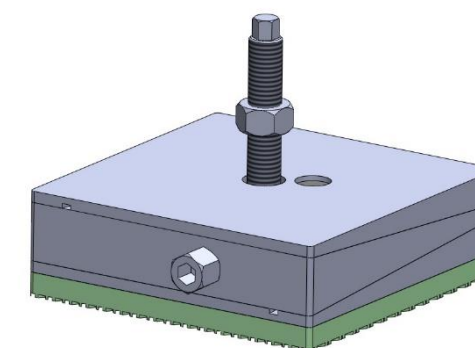
DBO1



DBO3



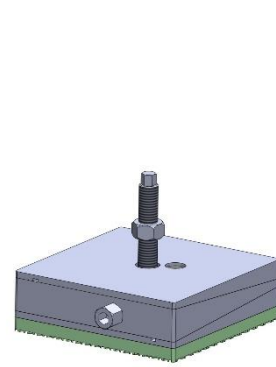
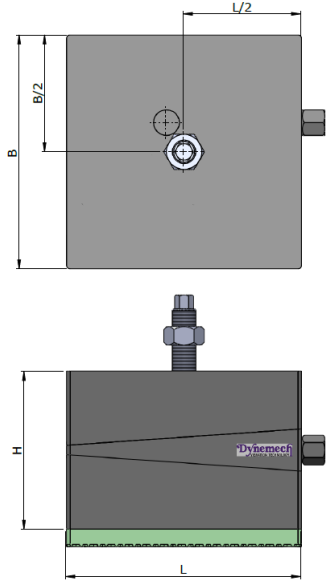
DBO5



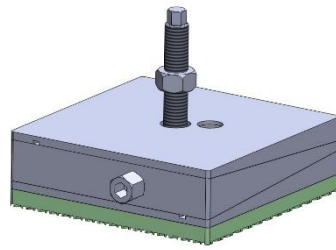
DBO7

Model	Load Capacity Kg/pc	Length (L) mm	Width (B) mm	Height (H) at mean position (mm)	BOLT SIZE (mm)	Adjustment Range (mm)	Bottom pad Type	Bottom pad Thickness (mm)	SW1 (mm)	SW2 (mm)	Coeff. of Friction against Concrete	Natural Frequency at Max. Load (Hz)	Temperature Range (°C)	Color	Applications
DBO1-i-FG-S-Z-GR	1800	115	115	69	M16/18/20/22/24	+4/-4	Di	25	19	10	0.8	7	From -16 to 90	Dark Grey/Green	Applications: Power Presses,
DBO2-i-FG-S-Z-GR	2900	150	150	75	M16/18/20/22/24	+5/-5	Di	25	22	12	0.8	7	From -16 to 90	Dark Grey/Green	

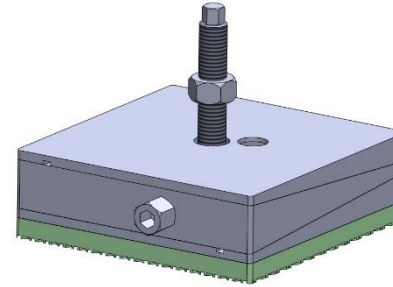
DBO3-i-FG-S-Z-GR	5200	200	200	75	M16/18/20/22/24	+6/-6	Di	25	22	12	0.8	7	From -16 to 90	Dark Grey/Green	Stamping Machines, Shearing Machines, Punching Machines. For machines with high vertical impact.
DBO4-i-FG-S-Z-GR	6500	200	250	95	M16/18/20/22/24	+9/-9	Di	25	27	14	0.8	7	From -16 to 90	Dark Grey/Green	
DBO5-i-FG-S-Z-GR	10000	250	320	100	M16/18/20/22/24	+9/-9	Di	25	32	18	0.8	7	From -16 to 90	Dark Grey/Green	
DBO6-i-FG-S-Z-GR	15000	300	400	100	M16/18/20/22/24	+10/-10	Di	25	32	18	0.8	7	From -16 to 90	Dark Grey/Green	
DBO7-i-FG-S-Z-GR	26000	400	500	105	M16/18/20/22/24	+10/-10	Di	25	39	22	0.8	7	From -16 to 90	Dark Grey/Green	



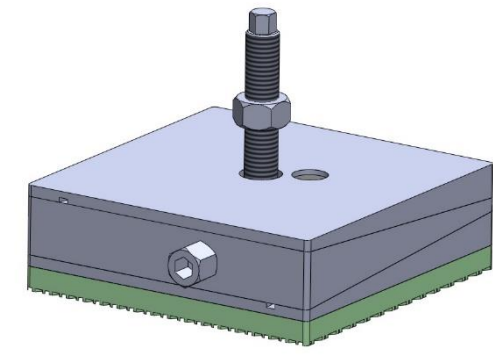
DBO1



DBO3

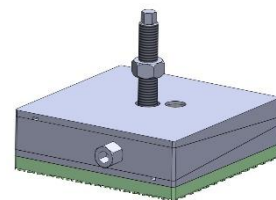
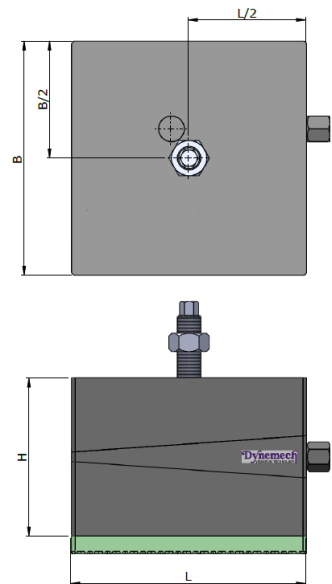


DBO5

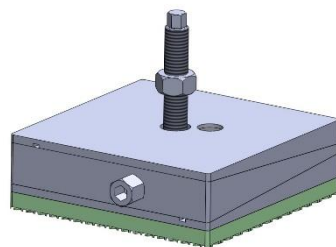


DBO7

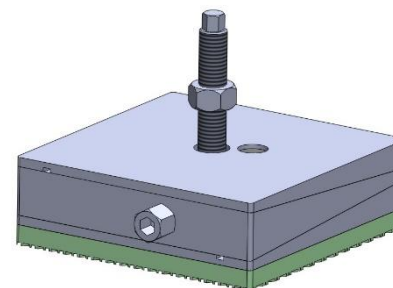
Model	Load Capacity Kg/pc	Length (L) mm	Width (B) mm	Height (H) at mean position (mm)	BOLT SIZE (mm)	Adjustment Range (mm)	Bottom pad Type	Bottom pad Thickness (mm)	SW1 (mm)	SW2 (mm)	Coeff. of Friction against Concrete	Natural Frequency at Max. Load (Hz)	Temperature Range (°C)	Color	Applications
DBO1-p1-FG-S-Z-GR	530	115	115	59	M16/18/20/22/24	+4/-4	Dp1	15	19	10	0.8	7	From -16 to 90	Dark Grey/Green	Applications: Power Presses, Stamping Machines, Shearing Machines, Punching Machines. For machines with high vertical impact.
DBO2-p1-FG-S-Z-GR	900	150	150	65	M16/18/20/22/24	+5/-5	Dp1	15	22	12	0.8	7	From -16 to 90	Dark Grey/Green	
DBO3-p1-FG-S-Z-GR	1600	200	200	65	M16/18/20/22/24	+6/-6	Dp1	15	22	12	0.8	7	From -16 to 90	Dark Grey/Green	
DBO4-p1-FG-S-Z-GR	2000	200	250	85	M16/18/20/22/24	+9/-9	Dp1	15	27	14	0.8	7	From -16 to 90	Dark Grey/Green	
DBO5-p1-FG-S-Z-GR	3200	250	320	90	M16/18/20/22/24	+9/-9	Dp1	15	32	18	0.8	7	From -16 to 90	Dark Grey/Green	
DBO6-p1-FG-S-Z-GR	4800	300	400	90	M16/18/20/22/24	+10/-10	Dp1	15	32	18	0.8	7	From -16 to 90	Dark Grey/Green	
DBO7-p1-FG-S-Z-GR	8000	400	500	95	M16/18/20/22/24	+10/-10	Dp1	15	39	22	0.8	7	From -16 to 90	Dark Grey/Green	
DBO1-p2-FG-S-Z-GR	660	115	115	64	M16/18/20/22/24	+4/-4	Dp2	20	19	10	0.8	12	From -16 to 90	Dark Grey/Green	Applications: Medium Presses, Punching Presses, Centreless Grinding Machines, Gear Shapers, High Speed Machines on upper floors.
DBO2-p2-FG-S-Z-GR	1130	150	150	70	M16/18/20/22/24	+5/-5	Dp2	20	22	12	0.8	12	From -16 to 90	Dark Grey/Green	
DBO3-p2-FG-S-Z-GR	2000	200	200	70	M16/18/20/22/24	+6/-6	Dp2	20	22	12	0.8	12	From -16 to 90	Dark Grey/Green	
DBO4-p2-FG-S-Z-GR	2500	200	250	90	M16/18/20/22/24	+9/-9	Dp2	20	27	14	0.8	12	From -16 to 90	Dark Grey/Green	
DBO5-p2-FG-S-Z-GR	4000	250	320	95	M16/18/20/22/24	+9/-9	Dp2	20	32	18	0.8	12	From -16 to 90	Dark Grey/Green	
DBO6-p2-FG-S-Z-GR	6000	300	400	95	M16/18/20/22/24	+10/-10	Dp2	20	32	18	0.8	12	From -16 to 90	Dark Grey/Green	
DBO7-p2-FG-S-Z-GR	10000	400	500	100	M16/18/20/22/24	+10/-10	Dp2	20	39	22	0.8	12	From -16 to 90	Dark Grey/Green	
DBO1-p3-FG-S-Z-GR	790	115	115	68	M16/18/20/22/24	+4/-4	Dp3	24	19	10	0.8	7	From -16 to 90	Dark Grey/Green	Applications: Tool Room Machines on suspended Floors, Light Weight Presses, Compressors etc.
DBO2-p3-FG-S-Z-GR	1350	150	150	74	M16/18/20/22/24	+5/-5	Dp3	24	22	12	0.8	7	From -16 to 90	Dark Grey/Green	
DBO3-p3-FG-S-Z-GR	2400	200	200	74	M16/18/20/22/24	+6/-6	Dp3	24	22	12	0.8	7	From -16 to 90	Dark Grey/Green	
DBO4-p3-FG-S-Z-GR	3000	200	250	94	M16/18/20/22/24	+9/-9	Dp3	24	27	14	0.8	7	From -16 to 90	Dark Grey/Green	
DBO5-p3-FG-S-Z-GR	4800	250	320	99	M16/18/20/22/24	+9/-9	Dp3	24	32	18	0.8	7	From -16 to 90	Dark Grey/Green	
DBO6-p3-FG-S-Z-GR	7200	300	400	99	M16/18/20/22/24	+10/-10	Dp3	24	32	18	0.8	7	From -16 to 90	Dark Grey/Green	
DBO7-p3-FG-S-Z-GR	12000	400	500	104	M16/18/20/22/24	+10/-10	Dp3	24	39	22	0.8	7	From -16 to 90	Dark Grey/Green	



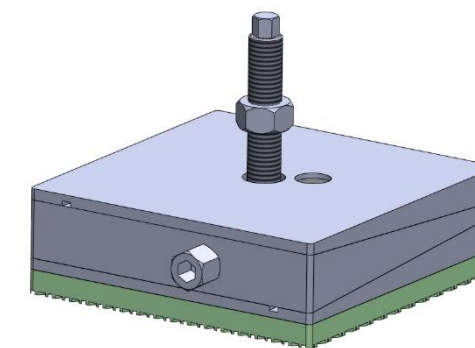
DBO1



DBO3

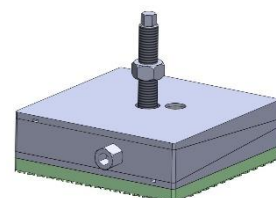
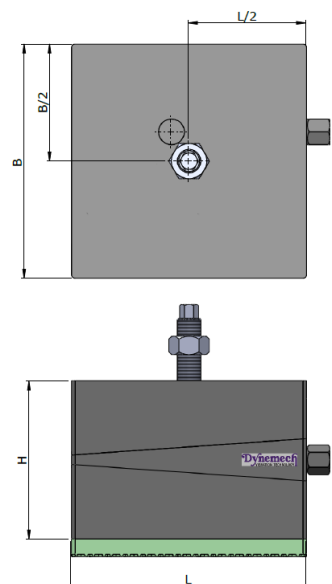


DBO5

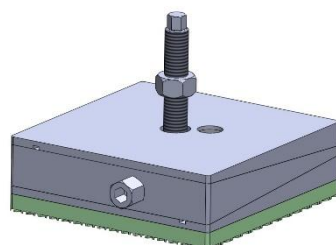


DBO7

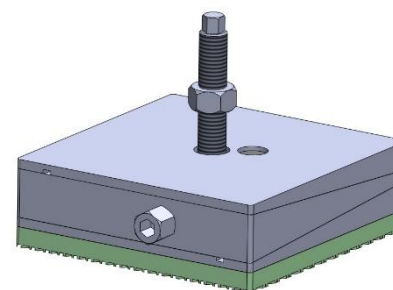
Model	Load Capacity Kg/pc	Length (L) mm	Width (B) mm	Height (H) at mean position (mm)	BOLT SIZE (mm)	Adjustment Range (mm)	Bottom pad Type	Bottom pad Thickness (mm)	SW1 (mm)	SW2 (mm)	Coeff. of Friction against Concrete	Natural Frequency at Max. Load (Hz)	Temperature Range (°C)	Color	Applications
DBO1-s1-FG-S-Z-GR	660	115	115	64	M16/18/20/22/24	+4/-4	Ds1	20	19	10	0.8	15	From -16 to 90	Dark Grey/Green	Applications: Tool Room Machines, Plastic Injection Moulding Machines, Pressure Die Casting Machines, Shaper, Printing and Textile Machines etc.
DBO2-s1-FG-S-Z-GR	1130	150	150	70	M16/18/20/22/24	+5/-5	Ds1	20	22	12	0.8	15	From -16 to 90	Dark Grey/Green	
DBO3-s1-FG-S-Z-GR	2000	200	200	70	M16/18/20/22/24	+6/-6	Ds1	20	22	12	0.8	15	From -16 to 90	Dark Grey/Green	
DBO4-s1-FG-S-Z-GR	2500	200	250	90	M16/18/20/22/24	+9/-9	Ds1	20	27	14	0.8	15	From -16 to 90	Dark Grey/Green	
DBO5-s1-FG-S-Z-GR	4000	250	320	95	M16/18/20/22/24	+9/-9	Ds1	20	32	18	0.8	15	From -16 to 90	Dark Grey/Green	
DBO6-s1-FG-S-Z-GR	6000	300	400	95	M16/18/20/22/24	+10/-10	Ds1	20	32	18	0.8	15	From -16 to 90	Dark Grey/Green	
DBO7-s1-FG-S-Z-GR	10000	400	500	100	M16/18/20/22/24	+10/-10	Ds1	20	39	22	0.8	15	From -16 to 90	Dark Grey/Green	
DBO1-s2-FG-S-Z-GR	950	115	115	69	M16/18/20/22/24	+4/-4	Ds2	25	19	10	0.8	8	From -16 to 90	Dark Grey/Green	Applications: Power Presses, Stamping Machines, Shearing Machines, Punching Machines. For machines with high vertical impact.
DBO2-s2-FG-S-Z-GR	1600	150	150	75	M16/18/20/22/24	+5/-5	Ds2	25	22	12	0.8	8	From -16 to 90	Dark Grey/Green	
DBO3-s2-FG-S-Z-GR	2800	200	200	75	M16/18/20/22/24	+6/-6	Ds2	25	22	12	0.8	8	From -16 to 90	Dark Grey/Green	
DBO4-s2-FG-S-Z-GR	3500	200	250	95	M16/18/20/22/24	+9/-9	Ds2	25	27	14	0.8	8	From -16 to 90	Dark Grey/Green	
DBO5-s2-FG-S-Z-GR	5500	250	320	100	M16/18/20/22/24	+9/-9	Ds2	25	32	18	0.8	8	From -16 to 90	Dark Grey/Green	
DBO6-s2-FG-S-Z-GR	8500	300	400	100	M16/18/20/22/24	+10/-10	Ds2	25	32	18	0.8	8	From -16 to 90	Dark Grey/Green	
DBO7-s2-FG-S-Z-GR	14000	400	500	105	M16/18/20/22/24	+10/-10	Ds2	25	39	22	0.8	8	From -16 to 90	Dark Grey/Green	



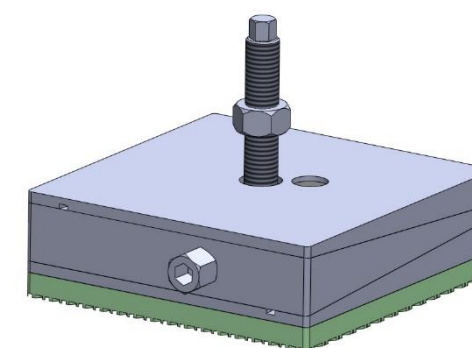
DBO1



DBO3



DBO5

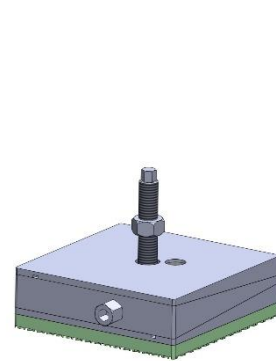
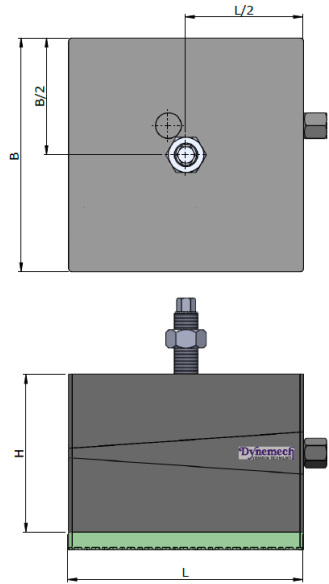


DBO7

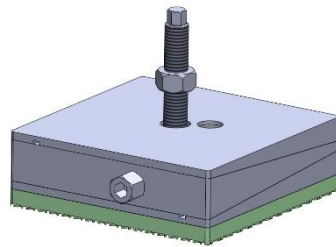
Model	Load Capacity Kg/pc	Length (L) mm	Width (B) mm	Height (H) at mean position (mm)	BOLT SIZE (mm)	Adjustment Range (mm)	Bottom pad Type	Bottom pad Thickness (mm)	SW1 (mm)	SW2 (mm)	Coeff. of Friction against Concrete	Natural Frequency at Max. Load (Hz)	Temperature Range (°C)	Color	Applications
DBO1-hs1-FG-S-Z-GR	2650	115	115	109	M16/18/20/22/24	+4/-4	Dhs1	65	19	10	0.8	6	From -16 to 90	Dark Grey/Green	Applications : Forging Hammers, Heavy Gen Sets, Heavy Industrial machines, Test Rigs, Heavy presses etc.
DBO2-hs1-FG-S-Z-GR	4500	150	150	115	M16/18/20/22/24	+5/-5	Dhs1	65	22	12	0.8	6	From -16 to 90	Dark Grey/Green	
DBO3-hs1-FG-S-Z-GR	8000	200	200	115	M16/18/20/22/24	+6/-6	Dhs1	65	22	12	0.8	6	From -16 to 90	Dark Grey/Green	
DBO4-hs1-FG-S-Z-GR	14000	200	250	135	M16/18/20/22/24	+9/-9	Dhs1	65	27	14	0.8	6	From -16 to 90	Dark Grey/Green	
DBO5-hs1-FG-S-Z-GR	16000	250	320	140	M16/18/20/22/24	+9/-9	Dhs1	65	32	18	0.8	6	From -16 to 90	Dark Grey/Green	
DBO6-hs1-FG-S-Z-GR	24000	300	400	140	M16/18/20/22/24	+10/-10	Dhs1	65	32	18	0.8	6	From -16 to 90	Dark Grey/Green	
DBO7-hs1-FG-S-Z-GR	40000	400	500	145	M16/18/20/22/24	+10/-10	Dhs1	65	39	22	0.8	6	From -16 to 90	Dark Grey/Green	
DBO1-hs2-FG-S-Z-GR	1060	115	115	109	M16/18/20/22/24	+4/-4	Dhs2	65	19	10	0.8	4	From -16 to 90	Dark Grey/Green	Applications : Forging Hammers, Heavy Gen Sets, Heavy Industrial machines, Test Rigs, Heavy presses, crushers etc.
DBO2-hs2-FG-S-Z-GR	1800	150	150	115	M16/18/20/22/24	+5/-5	Dhs2	65	22	12	0.8	4	From -16 to 90	Dark Grey/Green	
DBO3-hs2-FG-S-Z-GR	3200	200	200	115	M16/18/20/22/24	+6/-6	Dhs2	65	22	12	0.8	4	From -16 to 90	Dark Grey/Green	
DBO4-hs2-FG-S-Z-GR	4000	200	250	135	M16/18/20/22/24	+9/-9	Dhs2	65	27	14	0.8	4	From -16 to 90	Dark Grey/Green	
DBO5-hs2-FG-S-Z-GR	6400	250	320	140	M16/18/20/22/24	+9/-9	Dhs2	65	32	18	0.8	4	From -16 to 90	Dark Grey/Green	
DBO6-hs2-FG-S-Z-GR	9600	300	400	140	M16/18/20/22/24	+10/-10	Dhs2	65	32	18	0.8	4	From -16 to 90	Dark Grey/Green	
DBO7-hs2-FG-S-Z-GR	16000	400	500	145	M16/18/20/22/24	+10/-10	Dhs2	65	39	22	0.8	4	From -16 to 90	Dark Grey/Green	
DBO1-hs3-FG-S-Z-GR	3700	115	115	94	M16/18/20/22/24	+4/-4	Dhs3	50	19	10	0.8	7	From -16 to 90	Dark Grey/Green	Applications : Forging Hammers, Heavy Gen Sets, Heavy Industrial machines, Test Rigs, Heavy presses etc.
DBO2-hs3-FG-S-Z-GR	6300	150	150	100	M16/18/20/22/24	+5/-5	Dhs3	50	22	12	0.8	7	From -16 to 90	Dark Grey/Green	
DBO3-hs3-FG-S-Z-GR	11200	200	200	100	M16/18/20/22/24	+6/-6	Dhs3	50	22	12	0.8	7	From -16 to 90	Dark Grey/Green	
DBO4-hs3-FG-S-Z-GR	14000	200	250	120	M16/18/20/22/24	+9/-9	Dhs3	50	27	14	0.8	7	From -16 to 90	Dark Grey/Green	
DBO5-hs3-FG-S-Z-GR	22400	250	320	125	M16/18/20/22/24	+9/-9	Dhs3	50	32	18	0.8	7	From -16 to 90	Dark Grey/Green	
DBO6-hs3-FG-S-Z-GR	33600	300	400	125	M16/18/20/22/24	+10/-10	Dhs3	50	32	18	0.8	7	From -16 to 90	Dark Grey/Green	
DBO7-hs3-FG-S-Z-GR	56000	400	500	130	M16/18/20/22/24	+10/-10	Dhs3	50	39	22	0.8	7	From -16 to 90	Dark Grey/Green	
DBO1-hs4-FG-S-Z-GR	1590	115	115	94	M16/18/20/22/24	+4/-4	Dhs4	50	19	10	0.8	5	From -16 to 90	Dark Grey/Green	Applications : Forging Hammers, Heavy Gen Sets, Heavy Industrial machines, Test Rigs, Heavy presses, crushers etc.
DBO2-hs4-FG-S-Z-GR	2700	150	150	100	M16/18/20/22/24	+5/-5	Dhs4	50	22	12	0.8	5	From -16 to 90	Dark Grey/Green	
DBO3-hs4-FG-S-Z-GR	4800	200	200	100	M16/18/20/22/24	+6/-6	Dhs4	50	22	12	0.8	5	From -16 to 90	Dark Grey/Green	
DBO4-hs4-FG-S-Z-GR	6000	200	250	120	M16/18/20/22/24	+9/-9	Dhs4	50	27	14	0.8	5	From -16 to 90	Dark Grey/Green	
DBO5-hs4-FG-S-Z-GR	9600	250	320	125	M16/18/20/22/24	+9/-9	Dhs4	50	32	18	0.8	5	From -16 to 90	Dark Grey/Green	
DBO6-hs4-FG-S-Z-GR	14000	300	400	125	M16/18/20/22/24	+10/-10	Dhs4	50	32	18	0.8	5	From -16 to 90	Dark Grey/Green	
DBO7-hs4-FG-S-Z-GR	24000	400	500	130	M16/18/20/22/24	+10/-10	Dhs4	50	39	22	0.8	5	From -16 to 90	Dark Grey/Green	
DBO1-hs5-FG-S-Z-GR	3700	115	115	124	M16/18/20/22/24	+4/-4	Dhs5	80	19	10	0.8	5	From -16 to 90	Dark Grey/Green	

DBO2-hs5-FG-S-Z-GR	6300	150	150	130	M16/18/20/22/24	+5/-5	Dhs5	80	22	12	0.8	5	From -16 to 90	Dark Grey/Green
DBO3-hs5-FG-S-Z-GR	11200	200	200	130	M16/18/20/22/24	+6/-6	Dhs5	80	22	12	0.8	5	From -16 to 90	Dark Grey/Green
DBO4-hs5-FG-S-Z-GR	14000	200	250	150	M16/18/20/22/24	+9/-9	Dhs5	80	27	14	0.8	5	From -16 to 90	Dark Grey/Green
DBO5-hs5-FG-S-Z-GR	22400	250	320	155	M16/18/20/22/24	+9/-9	Dhs5	80	32	18	0.8	5	From -16 to 90	Dark Grey/Green
DBO6-hs5-FG-S-Z-GR	33600	300	400	155	M16/18/20/22/24	+10/-10	Dhs5	80	32	18	0.8	5	From -16 to 90	Dark Grey/Green
DBO7-hs5-FG-S-Z-GR	56000	400	500	160	M16/18/20/22/24	+10/-10	Dhs5	80	39	22	0.8	5	From -16 to 90	Dark Grey/Green

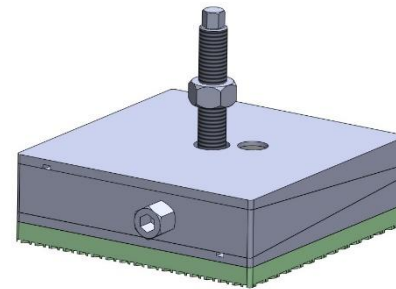
Applications : Forging Hammers, Heavy Gen Sets, Heavy Industrial machines, Test Rigs, Heavy presses etc.



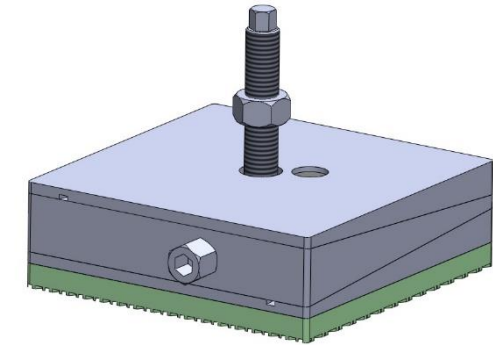
DBO1



DBO3

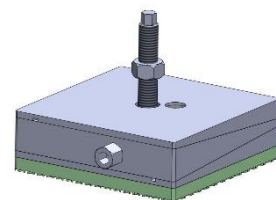
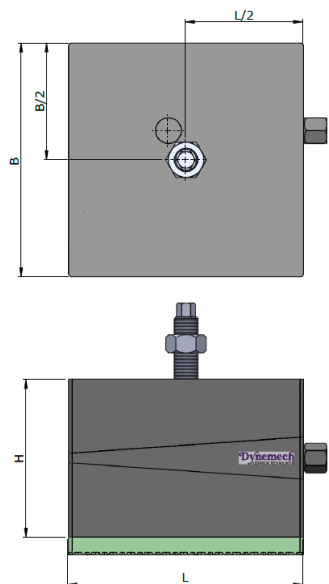


DBO5

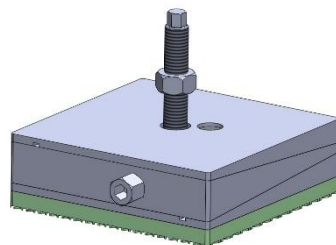


DBO7

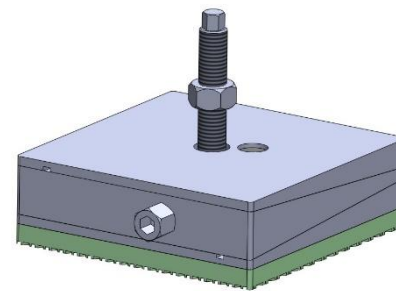
Model	Load Capacity Kg/pc	Length (L) mm	Width (B) mm	Height (H) at mean position (mm)	BOLT SIZE (mm)	Adjustment Range (mm)	Bottom pad Type	Bottom pad Thickness (mm)	SW1 (mm)	SW2 (mm)	Coeff. of Friction against Concrete	Natural Frequency at Max. Load (Hz)	Temperature Range (°C)	Color	Applications
DBO1-h-FG-S-Z-GR	3970	115	115	59	M16/18/20/22/24	+4/-4	Dh	15	19	10	0.6	45	From -16 to 90	Dark Grey/Green	Applications : Very Heavy and long bed machines, long machining centres, planners etc.
DBO2-h-FG-S-Z-GR	6750	150	150	65	M16/18/20/22/24	+5/-5	Dh	15	22	12	0.6	45	From -16 to 90	Dark Grey/Green	
DBO3-h-FG-S-Z-GR	12000	200	200	65	M16/18/20/22/24	+6/-6	Dh	15	22	12	0.6	45	From -16 to 90	Dark Grey/Green	
DBO4-h-FG-S-Z-GR	15000	200	250	85	M16/18/20/22/24	+9/-9	Dh	15	27	14	0.6	45	From -16 to 90	Dark Grey/Green	
DBO5-h-FG-S-Z-GR	24000	250	320	90	M16/18/20/22/24	+9/-9	Dh	15	32	18	0.6	45	From -16 to 90	Dark Grey/Green	
DBO6-h-FG-S-Z-GR	36000	300	400	90	M16/18/20/22/24	+10/-10	Dh	15	32	18	0.6	45	From -16 to 90	Dark Grey/Green	
DBO7-h-FG-S-Z-GR	60000	400	500	95	M16/18/20/22/24	+10/-10	Dh	15	39	22	0.6	45	From -16 to 90	Dark Grey/Green	



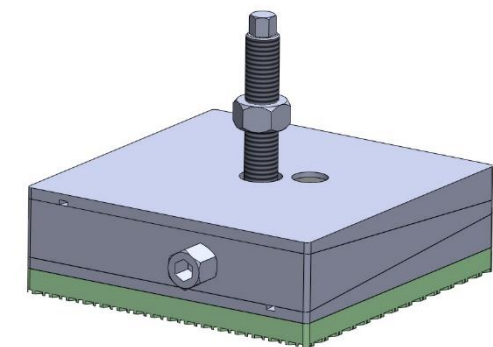
DBO1



DBO3

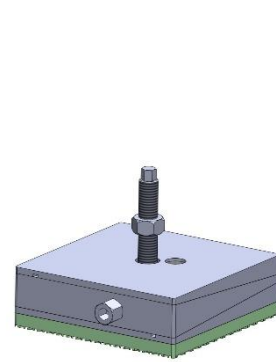
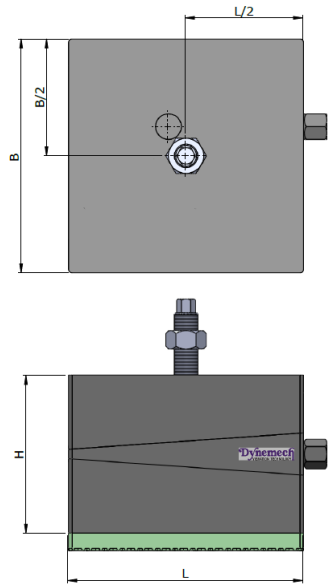


DBO5

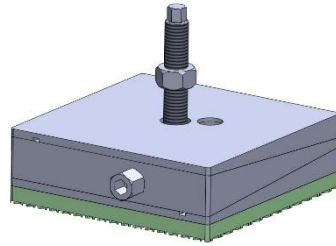


DBO7

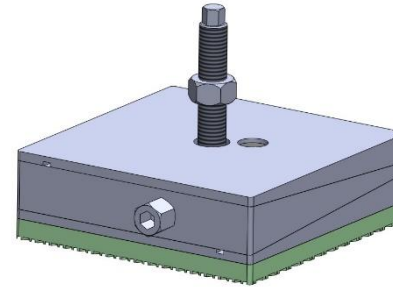
Model	Load Capacity Kg/pc	Length (L) mm	Width (B) mm	Height (H) at mean position (mm)	BOLT SIZE (mm)	Adjustment Range (mm)	Bottom pad Type	Bottom pad Thickness (mm)	SW1 (mm)	SW2 (mm)	Coeff. of Friction against Concrete	Natural Frequency at Max. Load (Hz)	Temperature Range (°C)	Color	Applications
DBO1-a1-FG-S-Z-GR	2380	115	115	46	M16/18/20/22/24	+4/-4	Da1	2	19	10	0.8	70	From -16 to 90	Dark Grey/Green	
DBO2-a1-FG-S-Z-GR	4050	150	150	52	M16/18/20/22/24	+5/-5	Da1	2	22	12	0.8	70	From -16 to 90	Dark Grey/Green	
DBO3-a1-FG-S-Z-GR	7200	200	200	52	M16/18/20/22/24	+6/-6	Da1	2	22	12	0.8	70	From -16 to 90	Dark Grey/Green	
DBO4-a1-FG-S-Z-GR	9000	200	250	72	M16/18/20/22/24	+9/-9	Da1	2	27	14	0.8	70	From -16 to 90	Dark Grey/Green	
DBO5-a1-FG-S-Z-GR	14400	250	320	77	M16/18/20/22/24	+9/-9	Da1	2	32	18	0.8	70	From -16 to 90	Dark Grey/Green	
DBO6-a1-FG-S-Z-GR	21600	300	400	77	M16/18/20/22/24	+10/-10	Da1	2	32	18	0.8	70	From -16 to 90	Dark Grey/Green	
DBO7-a1-FG-S-Z-GR	36000	400	500	82	M16/18/20/22/24	+10/-10	Da1	2	39	22	0.8	70	From -16 to 90	Dark Grey/Green	



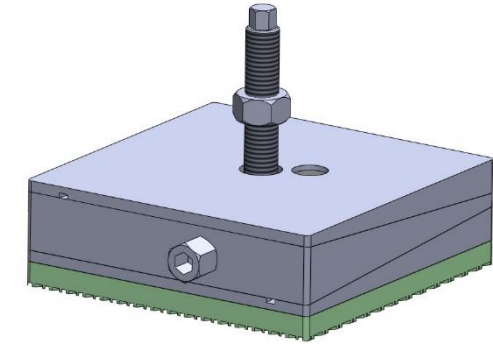
DBO1



DBO3

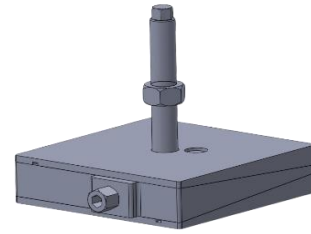
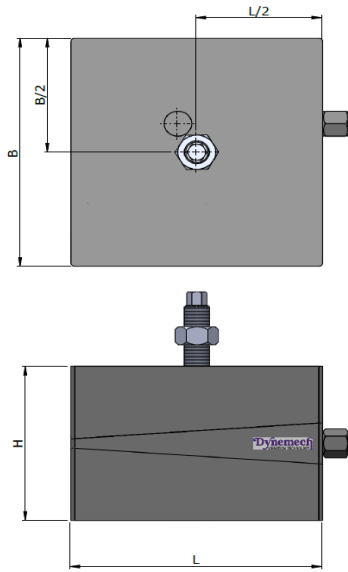


DBO5

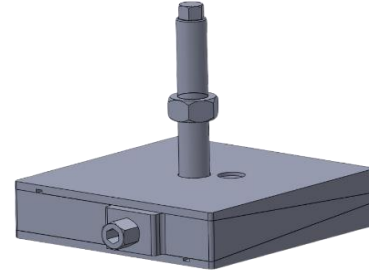


DBO7

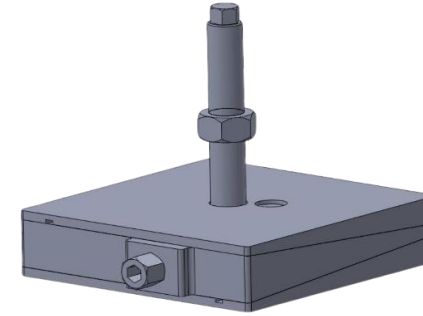
Model	Load Capacity Kg/pc	Length (L) mm	Width (B) mm	Height (H) at mean position (mm)	BOLT SIZE (mm)	Adjustment Range (mm)	Bottom pad Type	Bottom pad Thickness (mm)	SW1 (mm)	SW2 (mm)	Coeff. of Friction against Concrete	Natural Frequency at Max. Load (Hz)	Temperature Range (°C)	Color	Applications
DBO1-a2-FG-S-Z-GR	1320	115	115	52	M16/18/20/22/24	+4/-4	Da2	8	19	10	0.9	45	From -16 to 90	Dark Grey/Green	
DBO2-a2-FG-S-Z-GR	2250	150	150	58	M16/18/20/22/24	+5/-5	Da2	8	22	12	0.9	45	From -16 to 90	Dark Grey/Green	
DBO3-a2-FG-S-Z-GR	4000	200	200	58	M16/18/20/22/24	+6/-6	Da2	8	22	12	0.9	45	From -16 to 90	Dark Grey/Green	
DBO4-a2-FG-S-Z-GR	6500	200	250	78	M16/18/20/22/24	+9/-9	Da2	8	27	14	0.9	45	From -16 to 90	Dark Grey/Green	
DBO5-a2-FG-S-Z-GR	8000	250	320	83	M16/18/20/22/24	+9/-9	Da2	8	32	18	0.9	45	From -16 to 90	Dark Grey/Green	
DBO6-a2-FG-S-Z-GR	12000	300	400	83	M16/18/20/22/24	+10/-10	Da2	8	32	18	0.9	45	From -16 to 90	Dark Grey/Green	
DBO7-a2-FG-S-Z-GR	20000	400	500	88	M16/18/20/22/24	+10/-10	Da2	8	39	22	0.9	45	From -16 to 90	Dark Grey/Green	



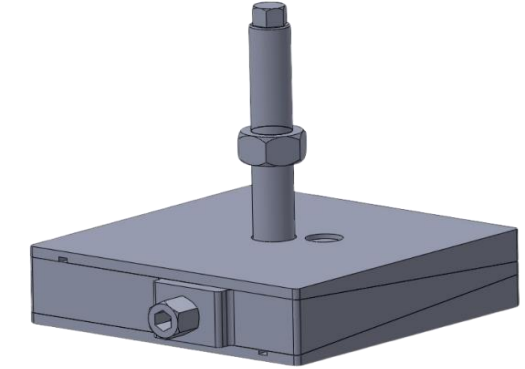
DBO1



DBO3



DBO5



DBO7

Model	Load Capacity Kg/pc	Length (L) mm	Width (B) mm	Height (H) at mean position (mm)	BOLT SIZE (mm)	Adjustment Range (mm)	Bottom pad Type	Bottom pad Thickness (mm)	SW1 (mm)	SW2 (mm)	Coeff. of Friction against Concrete	Natural Frequency at Max. Load (Hz)	Temperature Range (°C)	Color	Applications
DBO1-FG-S-Z-GR	3600	115	115	44	M16/18/20/22/24	+4/-4	X	X	19	10	X	X	From -16 to 90	Dark Grey/Green	Applications : For levelling of all Precicion Machines.
DBO2-FG-S-Z-GR	3800	150	150	50	M16/18/20/22/24	+5/-5	X	X	22	12	X	X	From -16 to 90	Dark Grey/Green	
DBO3-FG-S-Z-GR	10400	200	200	50	M16/18/20/22/24	+6/-6	X	X	22	12	X	X	From -16 to 90	Dark Grey/Green	
DBO4-FG-S-Z-GR	13000	200	250	70	M16/18/20/22/24	+9/-9	X	X	27	14	X	X	From -16 to 90	Dark Grey/Green	
DBO5-FG-S-Z-GR	20000	250	320	75	M16/18/20/22/24	+9/-9	X	X	32	18	X	X	From -16 to 90	Dark Grey/Green	
DBO6-FG-S-Z-GR	30000	300	400	75	M16/18/20/22/24	+10/-10	X	X	32	18	X	X	From -16 to 90	Dark Grey/Green	
DBO7-FG-S-Z-GR	40000	400	500	80	M16/18/20/22/24	+10/-10	X	X	39	22	X	X	From -16 to 90	Dark Grey/Green	