

**DBHO1**



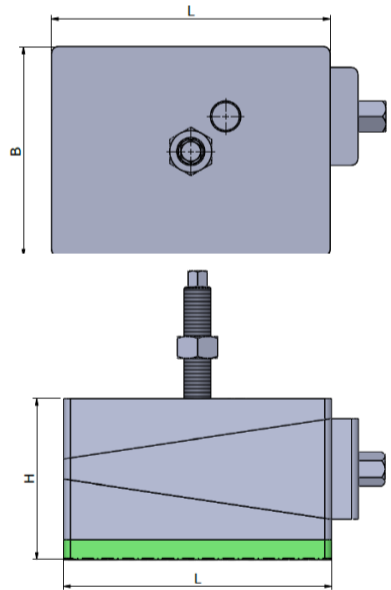
**DBHO2**



**DBHO3**

Dynemech Wedge mounts, Series DBHO mounts are sturdy in construction. Wedge mounts are bolted with the machine base. High levelling adjustment avoids the need of extra shims for installations on steep slope surfaces.

Model	Load Capacity Kg/pc	Length (L) mm	Width (B) mm	Height (H) at mean position (mm)	BOLT SIZE (mm)	Adjustment Range (mm)	Bottom pad Type	Bottom pad Thickness (mm)	SW1 (mm)	SW2 (mm)	Coeff. of Friction against Concrete	Natural Frequency at Max. Load (Hz)	Temperature Range (°C)	Color	Applications
DBHO1-u-M20x2.5x200-FG-DG	2250	200	125	88	M20	+8/-8	Du	15	22	12	0.9	18	From -16 to 90	Dark Grey/Green	Applications: Tool Room Machines, Plastic Injection
DBHO2-u-M20x2.5x200-FG-DG	2700	200	150	120	M20	+10/-10	Du	15	22	12	0.9	18	From -16 to 90	Dark Grey/Green	Moulding Machines, Pressure Die Casting Machines, Shaper, Printing and Textile Machines etc.
DBHO3-u-M20x2.5x250-FG-DG	4200	280	170	150	M20	+12.5/-12.5	Du	15	39	22	0.9	18	From -16 to 90	Dark Grey/Green	
DBHO1-u-10-M20x2.5x200-FG-DG	2250	200	125	83	M20	+8/-8	Du-10	10	22	12	0.9	25	From -16 to 90	Dark Grey/Green	Applications: Tool Room Machines, Plastic Injection
DBHO2-u-10-M20x2.5x200-FG-DG	2700	200	150	115	M20	+10/-10	Du-10	10	22	12	0.9	25	From -16 to 90	Dark Grey/Green	Moulding Machines, Pressure Die Casting Machines, Shaper, Printing and Textile Machines etc.
DBHO3-u-10-M20x2.5x250-FG-DG	4200	280	170	145	M20	+12.5/-12.5	Du-10	10	39	22	0.9	25	From -16 to 90	Dark Grey/Green	
DBHO1-u-12-M20x2.5x200-FG-DG	2250	200	125	85	M20	+8/-8	Du-12	12	22	12	0.9	20	From -16 to 90	Dark Grey/Green	Applications: Tool Room Machines, Plastic Injection
DBHO2-u-12-M20x2.5x200-FG-DG	2700	200	150	117	M20	+10/-10	Du-12	12	22	12	0.9	20	From -16 to 90	Dark Grey/Green	Moulding Machines, Pressure Die Casting Machines, Shaper, Printing and Textile Machines etc.
DBHO3-u-12-M20x2.5x250-FG-DG	4200	280	170	147	M20	+12.5/-12.5	Du-12	12	39	22	0.9	20	From -16 to 90	Dark Grey/Green	



**DBHO1**

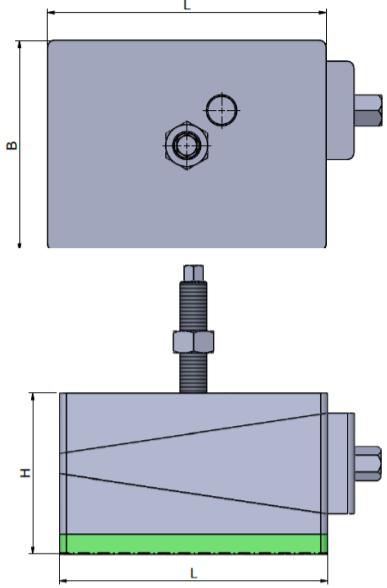


**DBHO2**



**DBHO3**

Model	Load Capacity Kg/pc	Length (L) mm	Width (B) mm	Height (H) at mean position (mm)	BOLT SIZE (mm)	Adjustment Range (mm)	Bottom pad Type	Bottom pad Thickness (mm)	SW1 (mm)	SW2 (mm)	Coeff. of Friction against Concrete	Natural Frequency at Max. Load (Hz)	Temperature Range (°C)	Color	Applications
DBHO1-m-M20x2.5x200-FG-DG	2500	200	125	88	M20	+8/-8	Dm	15	22	12	0.7	30	From -16 to 90	Dark Grey/Green	Applications: Power Presses, Stamping Machines, Shearing Machines, Punching Machines. For machines with high vertical impact.
DBHO2-m-M20x2.5x200-FG-DG	3000	200	150	120	M20	+10/-10	Dm	15	22	12	0.7	30	From -16 to 90	Dark Grey/Green	
DBHO3-m-M20x2.5x250-FG-DG	4600	280	170	150	M20	+12.5/-12.5	Dm	15	39	22	0.7	30	From -16 to 90	Dark Grey/Green	



**DBHO1**

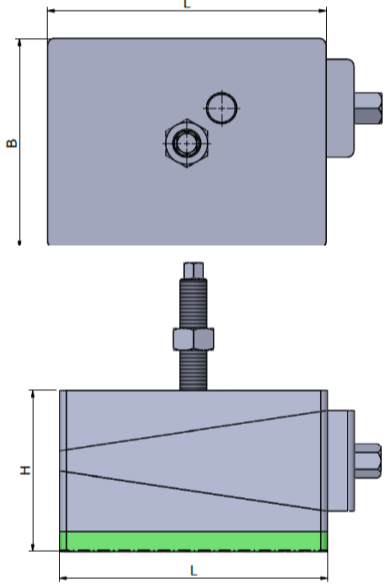


**DBHO2**



**DBHO3**

Model	Load Capacity Kg/pc	Length (L) mm	Width (B) mm	Height (H) at mean position (mm)	BOLT SIZE (mm)	Adjustment Range (mm)	Bottom pad Type	Bottom pad Thickness (mm)	SW1 (mm)	SW2 (mm)	Coeff. of Friction against Concrete	Natural Frequency at Max. Load (Hz)	Temperature Range (°C)	Color	Applications
DBHO1-i-M20x2.5x200-FG-DG	3500	200	125	98	M20	+8/-8	Di	25	22	12	0.8	7	From -16 to 90	Dark Grey/Green	Applications: Power Presses, Stamping Machines, Shearing Machines, Punching Machines. For machines with high vertical impact.
DBHO2-i-M20x2.5x200-FG-DG	4200	200	150	130	M20	+10/-10	Di	25	22	12	0.8	7	From -16 to 90	Dark Grey/Green	
DBHO3-i-M20x2.5x250-FG-DG	6400	280	170	160	M20	+12.5/-12.5	Di	25	39	22	0.8	7	From -16 to 90	Dark Grey/Green	



**DBHO1**

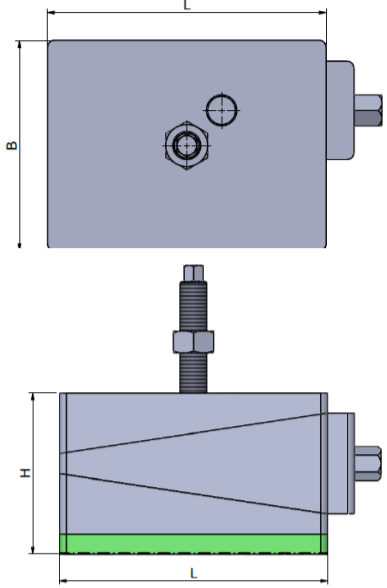


**DBHO2**



**DBHO3**

Model	Load Capacity Kg/pc	Length (L) mm	Width (B) mm	Height (H) at mean position (mm)	BOLT SIZE (mm)	Adjustment Range (mm)	Bottom pad Type	Bottom pad Thickness (mm)	SW1 (mm)	SW2 (mm)	Coeff. of Friction against Concrete	Natural Frequency at Max. Load (Hz)	Temperature Range (°C)	Color	Applications
DBHO1-p1-M20x2.5x200-FG-DG	1000	200	125	88	M20	+8/-8	Dp1	15	22	12	0.8	7	From -16 to 90	Dark Grey/Green	Applications: Power Presses, Stamping Machines, Shearing Machines, Punching Machines. For machines with high vertical impact.
DBHO2-p1-M20x2.5x200-FG-DG	1200	200	150	120	M20	+10/-10	Dp1	15	22	12	0.8	7	From -16 to 90	Dark Grey/Green	
DBHO3-p1-M20x2.5x250-FG-DG	1900	280	170	150	M20	+12.5/-12.5	Dp1	15	39	22	0.8	7	From -16 to 90	Dark Grey/Green	
DBHO1-p2-M20x2.5x200-FG-DG	1250	200	125	93	M20	+8/-8	Dp2	20	22	12	0.8	12	From -16 to 90	Dark Grey/Green	Applications: Medium Presses, Punching Presses, Centreless Grinding Machines, Gear Shapers, High Speed Machines on upper floors.
DBHO2-p2-M20x2.5x200-FG-DG	1500	200	150	125	M20	+10/-10	Dp2	20	22	12	0.8	12	From -16 to 90	Dark Grey/Green	
DBHO3-p2-M20x2.5x250-FG-DG	2380	280	170	155	M20	+12.5/-12.5	Dp2	20	39	22	0.8	12	From -16 to 90	Dark Grey/Green	
DBHO1-p3-M20x2.5x200-FG-DG	1500	200	125	97	M20	+8/-8	Dp3	24	22	12	0.8	7	From -16 to 90	Dark Grey/Green	Applications: Tool Room Machines on suspended Floors, Light Weight Presses, Compressors etc.
DBHO2-p3-M20x2.5x200-FG-DG	1800	200	150	129	M20	+10/-10	Dp3	24	22	12	0.8	7	From -16 to 90	Dark Grey/Green	
DBHO3-p3-M20x2.5x250-FG-DG	2860	280	170	159	M20	+12.5/-12.5	Dp3	24	39	22	0.8	7	From -16 to 90	Dark Grey/Green	



**DBHO1**

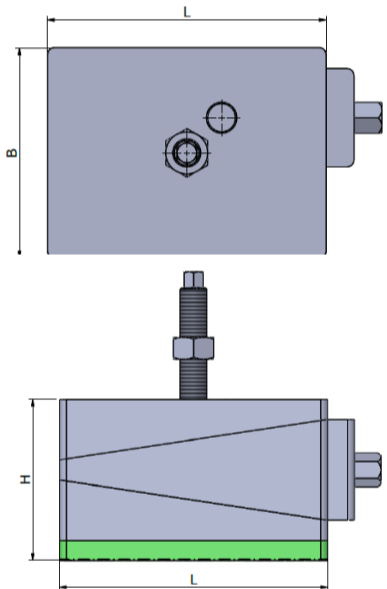


**DBHO2**



**DBHO3**

Model	Load Capacity Kg/pc	Length (L) mm	Width (B) mm	Height (H) at mean position (mm)	BOLT SIZE (mm)	Adjustment Range (mm)	Bottom pad Type	Bottom pad Thickness (mm)	SW1 (mm)	SW2 (mm)	Coeff. of Friction against Concrete	Natural Frequency at Max. Load (Hz)	Temperature Range (°C)	Color	Applications
DBHO1-s1-M20x2.5x200-FG-DG	1250	200	125	93	M20	+8/-8	Ds1	20	22	12	0.8	15	From -16 to 90	Dark Grey/Green	Applications: Tool Room Machines, Plastic Injection Moulding Machines, Pressure Die Casting Machines, Shaper, Printing and Textile Machines etc.
DBHO2-s1-M20x2.5x200-FG-DG	1500	200	150	125	M20	+10/-10	Ds1	20	22	12	0.8	15	From -16 to 90	Dark Grey/Green	
DBHO3-s1-M20x2.5x250-FG-DG	2380	280	170	155	M20	+12.5/-12.5	Ds1	20	39	22	0.8	15	From -16 to 90	Dark Grey/Green	
DBHO1-s2-M20x2.5x200-FG-DG	2000	200	125	98	M20	+8/-8	Ds2	25	22	12	0.8	8	From -16 to 90	Dark Grey/Green	Applications: Power Presses, Stamping Machines, Shearing Machines, Punching Machines. For machines with high vertical impact.
DBHO2-s2-M20x2.5x200-FG-DG	2400	200	150	130	M20	+10/-10	Ds2	25	22	12	0.8	8	From -16 to 90	Dark Grey/Green	
DBHO3-s2-M20x2.5x250-FG-DG	3800	280	170	160	M20	+12.5/-12.5	Ds2	25	39	22	0.8	8	From -16 to 90	Dark Grey/Green	



**DBHO1**

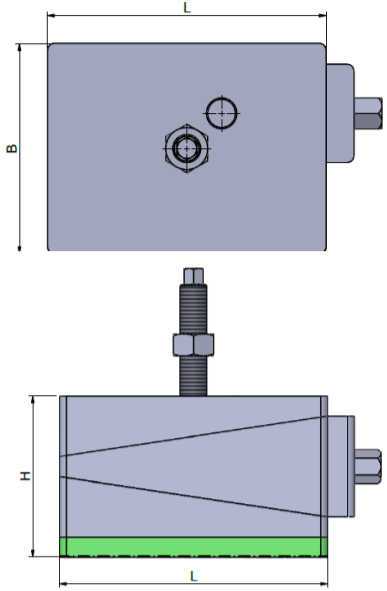


**DBHO2**



**DBHO3**

Model	Load Capacity Kg/pc	Length (L) mm	Width (B) mm	Height (H) at mean position (mm)	BOLT SIZE (mm)	Adjustment Range (mm)	Bottom pad Type	Bottom pad Thickness (mm)	SW1 (mm)	SW2 (mm)	Coeff. of Friction against Concrete	Natural Frequency at Max. Load (Hz)	Temperature Range (°C)	Color	Applications
DBHO1-hs1-M20x2.5x200-FG-DG	5000	200	125	138	M20	+8/-8	Dhs1	65	22	12	0.8	6	From -16 to 90	Dark Grey/Green	Applications : Forging Hammers, Heavy Gen Sets, Heavy Industrial machines, Test Rigs, Heavy presses etc.
DBHO2-hs1-M20x2.5x200-FG-DG	6000	200	150	170	M20	+10/-10	Dhs1	65	22	12	0.8	6	From -16 to 90	Dark Grey/Green	
DBHO3-hs1-M20x2.5x250-FG-DG	9520	280	170	200	M20	+12.5/-12.5	Dhs1	65	39	22	0.8	6	From -16 to 90	Dark Grey/Green	
DBHO1-hs2-M20x2.5x200-FG-DG	2000	200	125	138	M20	+8/-8	Dhs2	65	22	12	0.8	4	From -16 to 90	Dark Grey/Green	Applications : Forging Hammers, Heavy Gen Sets, Heavy Industrial machines, Test Rigs, Heavy presses, crushers etc.
DBHO2-hs2-M20x2.5x200-FG-DG	2400	200	150	170	M20	+10/-10	Dhs2	65	22	12	0.8	4	From -16 to 90	Dark Grey/Green	
DBHO3-hs2-M20x2.5x250-FG-DG	3800	280	170	200	M20	+12.5/-12.5	Dhs2	65	39	22	0.8	4	From -16 to 90	Dark Grey/Green	
DBHO1-hs3-M20x2.5x200-FG-DG	7000	200	125	123	M20	+8/-8	Dhs3	50	22	12	0.8	7	From -16 to 90	Dark Grey/Green	Applications : Forging Hammers, Heavy Gen Sets, Heavy Industrial machines, Test Rigs, Heavy presses etc.
DBHO2-hs3-M20x2.5x200-FG-DG	8400	200	150	155	M20	+10/-10	Dhs3	50	22	12	0.8	7	From -16 to 90	Dark Grey/Green	
DBHO3-hs3-M20x2.5x250-FG-DG	13330	280	170	185	M20	+12.5/-12.5	Dhs3	50	39	22	0.8	7	From -16 to 90	Dark Grey/Green	
DBHO1-hs4-M20x2.5x200-FG-DG	3000	200	125	123	M20	+8/-8	Dhs4	50	22	12	0.8	5	From -16 to 90	Dark Grey/Green	Applications : Forging Hammers, Heavy Gen Sets, Heavy Industrial machines, Test Rigs, Heavy presses, crushers etc.
DBHO2-hs4-M20x2.5x200-FG-DG	3600	200	150	155	M20	+10/-10	Dhs4	50	22	12	0.8	5	From -16 to 90	Dark Grey/Green	
DBHO3-hs4-M20x2.5x250-FG-DG	5700	280	170	185	M20	+12.5/-12.5	Dhs4	50	39	22	0.8	5	From -16 to 90	Dark Grey/Green	
DBHO1-hs5-M20x2.5x200-FG-DG	7000	200	125	153	M20	+8/-8	Dhs5	80	22	12	0.8	5	From -16 to 90	Dark Grey/Green	Applications : Forging Hammers, Heavy Gen Sets, Heavy Industrial machines, Test Rigs, Heavy presses etc.
DBHO2-hs5-M20x2.5x200-FG-DG	8400	200	150	185	M20	+10/-10	Dhs5	80	22	12	0.8	5	From -16 to 90	Dark Grey/Green	
DBHO3-hs5-M20x2.5x250-FG-DG	13330	280	170	215	M20	+12.5/-12.5	Dhs5	80	39	22	0.8	5	From -16 to 90	Dark Grey/Green	



**DBHO1**

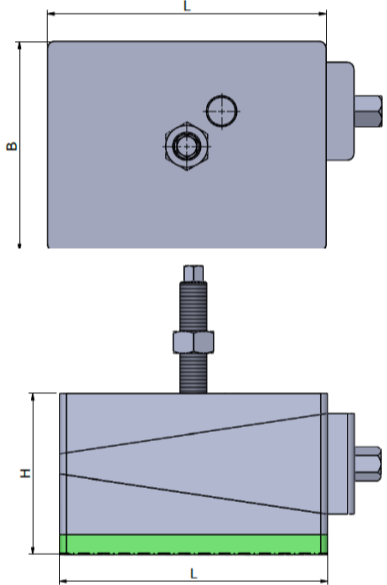


**DBHO2**



**DBHO3**

Model	Load Capacity Kg/pc	Length (L) mm	Width (B) mm	Height (H) at mean position (mm)	BOLT SIZE (mm)	Adjustment Range (mm)	Bottom pad Type	Bottom pad Thickness (mm)	SW1 (mm)	SW2 (mm)	Coeff. of Friction against Concrete	Natural Frequency at Max. Load (Hz)	Temperature Range (°C)	Color	Applications
DBHO1-h-M20x2.5x200-FG-DG	7500	200	125	88	M20	+8/-8	Dh	15	22	12	0.6	45	From -16 to 90	Dark Grey/Green	Applications : Very Heavy and long bed machines, long machining centres, planners etc.
DBHO2-h-M20x2.5x200-FG-DG	9000	200	150	120	M20	+10/-10	Dh	15	22	12	0.6	45	From -16 to 90	Dark Grey/Green	
DBHO3-h-M20x2.5x250-FG-DG	14000	280	170	150	M20	+12.5/-12.5	Dh	15	39	22	0.6	45	From -16 to 90	Dark Grey/Green	



**DBHO1**

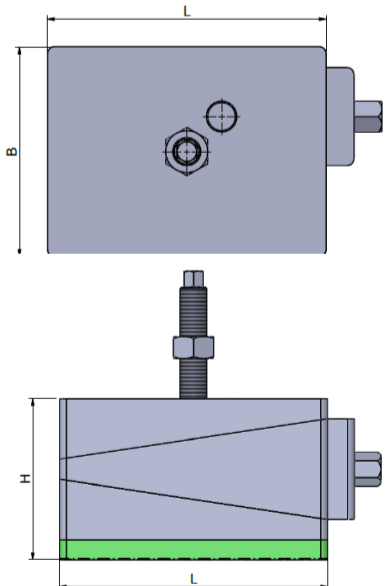


**DBHO2**



**DBHO3**

Model	Load Capacity Kg/pc	Length (L) mm	Width (B) mm	Height (H) at mean position (mm)	BOLT SIZE (mm)	Adjustment Range (mm)	Bottom pad Type	Bottom pad Thickness (mm)	SW1 (mm)	SW2 (mm)	Coeff. of Friction against Concrete	Natural Frequency at Max. Load (Hz)	Temperature Range (°C)	Color	Applications
DBHO1-a1-M20x2.5x200-FG-DG	4500	200	125	75	M20	+8/-8	Da1	2	22	12	0.8	70	From -16 to 90	Dark Grey/Green	
DBHO2-a1-M20x2.5x200-FG-DG	5400	200	150	107	M20	+10/-10	Da1	2	22	12	0.8	70	From -16 to 90	Dark Grey/Green	
DBHO3-a1-M20x2.5x250-FG-DG	8570	280	170	137	M20	+12.5/-12.5	Da1	2	39	22	0.8	70	From -16 to 90	Dark Grey/Green	



**DBHO1**

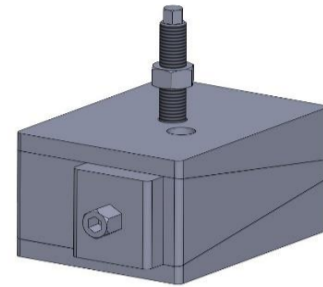
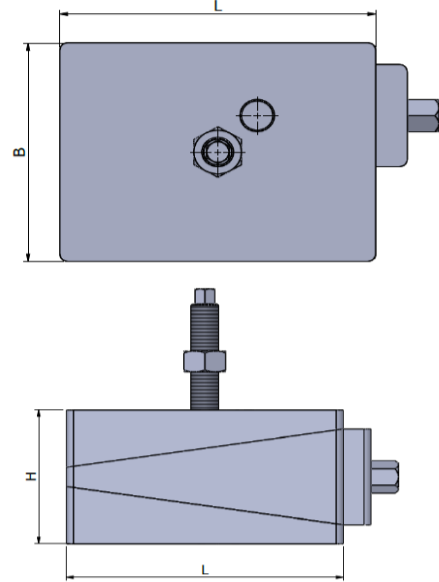


**DBHO2**

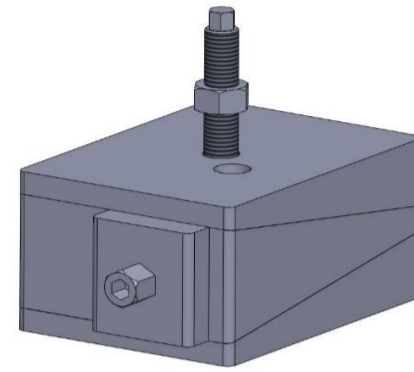


**DBHO3**

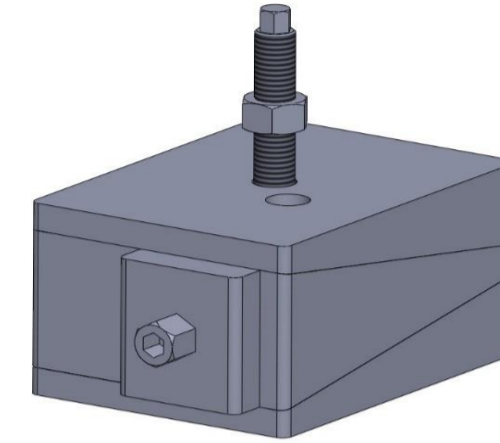
Model	Load Capacity Kg/pc	Length (L) mm	Width (B) mm	Height (H) at mean position (mm)	BOLT SIZE (mm)	Adjustment Range (mm)	Bottom pad Type	Bottom pad Thickness (mm)	SW1 (mm)	SW2 (mm)	Coeff. of Friction against Concrete	Natural Frequency at Max. Load (Hz)	Temperature Range (°C)	Color	Applications
DBHO1-a2-M20x2.5x200-FG-DG	2500	200	125	81	M20	+8/-8	Da2	8	22	12	0.9	45	From -16 to 90	Dark Grey/Green	
DBHO2-a2-M20x2.5x200-FG-DG	3000	200	150	113	M20	+10/-10	Da2	8	22	12	0.9	45	From -16 to 90	Dark Grey/Green	
DBHO3-a2-M20x2.5x250-FG-DG	4760	280	170	143	M20	+12.5/-12.5	Da2	8	39	22	0.9	45	From -16 to 90	Dark Grey/Green	



**DBHO1**



**DBHO2**



**DBHO3**

Model	Load Capacity Kg/pc	Length (L) mm	Width (B) mm	Height (H) at mean position (mm)	BOLT SIZE (mm)	Adjustment Range (mm)	Bottom pad Type	Bottom pad Thickness (mm)	SW1 (mm)	SW2 (mm)	Coeff. of Friction against Concrete	Natural Frequency at Max. Load (Hz)	Temperature Range (°C)	Color	Applications
DBHO1-M20x2.5x200-FG-DG	13000	200	125	73	M20	+8/-8	X	X	22	12	X	X	From -16 to 90	Dark Grey/Green	Applications : For levelling of all Precision Machines.
DBHO2-M20x2.5x200-FG-DG	16000	200	150	105	M20	+10/-10	X	X	22	12	X	X	From -16 to 90	Dark Grey/Green	
DBHO3-M20x2.5x250-FG-DG	23000	280	170	135	M20	+12.5/-12.5	X	X	39	22	X	X	From -16 to 90	Dark Grey/Green	