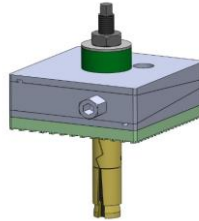
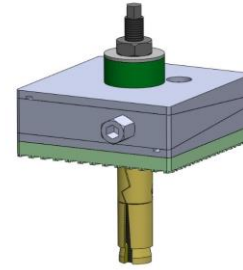


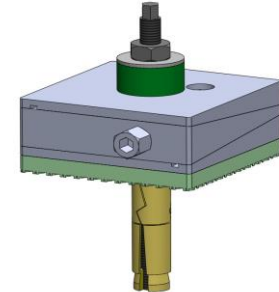
**DTOP1**



**DTOP3**



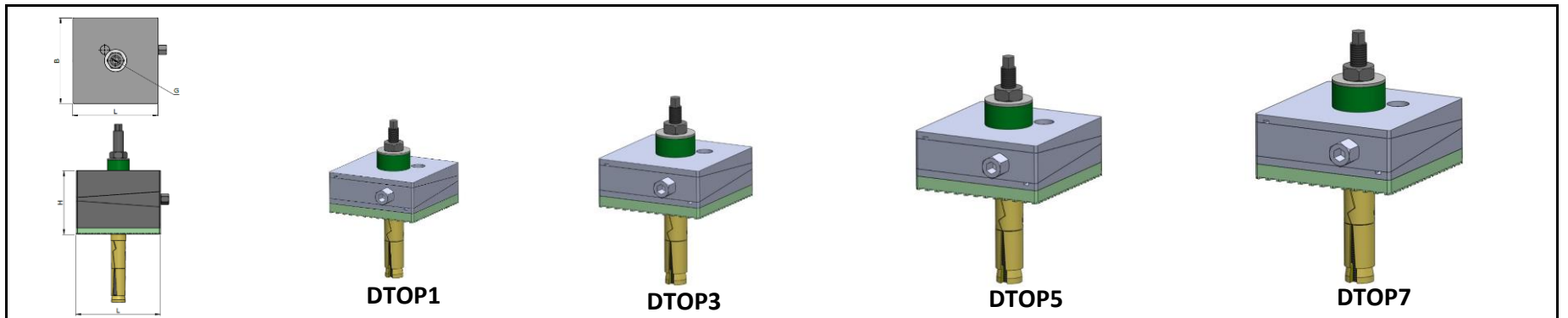
**DTOP5**



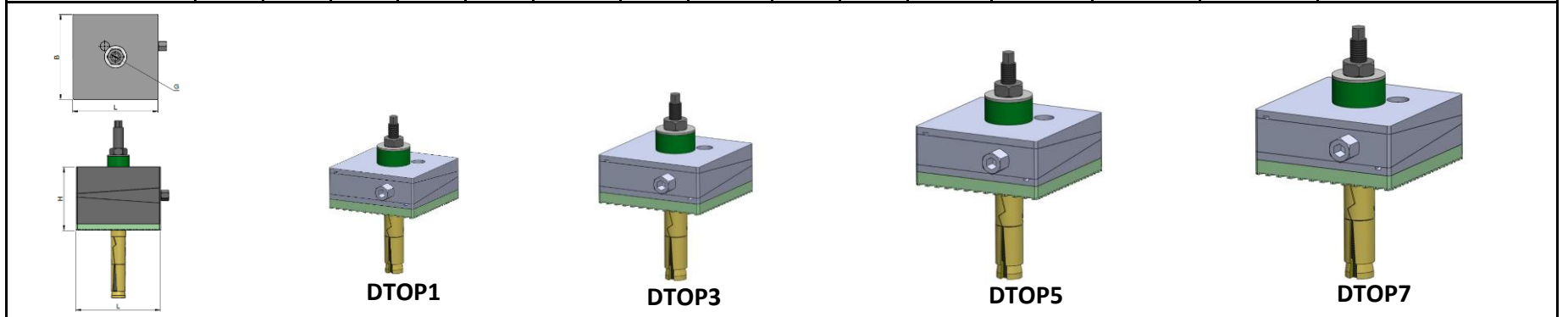
**DTOP7**

Dynemech Wedge mounts, Series DTOP-150 mounts is designed for machines which are top heavy or have eccentric motion or machines which must be anchored to the ground. Boring machine, Drilling and milling machines, machining centres, special purpose machines, long lathes, long planers, power presses etc.

Model	Load Capacity Kg/pc	Length (L) mm	Width (B) mm	Height (H) at mean position (mm)	BORE* Ø(mm)	Adjustment Range (mm)	Bottom pad Type	Bottom pad Thickness (mm)	SW1 (mm)	SW2 (mm)	Coeff. of Friction against Concrete	Natural Frequency at Max. Load (Hz)	Temperature Range (°C)	Color	Applications
DTOP1-u-150-26T-FG-GR	1100	115	115	150	26	+4/-4	Du	15	19	10	0.9	18	From -16 to 90	Dark Grey/Green	Applications: Tool Room Machines, Plastic Injection Moulding Machines, Pressure Die Casting Machines, Shaper, Printing and Textile Machines etc.
DTOP2-u-150-26T-FG-GR	1800	150	150	150	26	+5/-5	Du	15	22	12	0.9	18	From -16 to 90	Dark Grey/Green	
DTOP3-u-150-32T-FG-GR	3200	200	200	150	32	+6/-6	Du	15	22	12	0.9	18	From -16 to 90	Dark Grey/Green	
DTOP4-u-150-32T-FG-GR	4000	200	250	150	32	+9/-9	Du	15	27	14	0.9	18	From -16 to 90	Dark Grey/Green	
DTOP5-u-150-42T-FG-GR	6400	250	320	150	42	+9/-9	Du	15	32	18	0.9	18	From -16 to 90	Dark Grey/Green	
DTOP6-u-150-42T-FG-GR	9600	300	400	150	42	+10/-10	Du	15	32	18	0.9	18	From -16 to 90	Dark Grey/Green	
DTOP7-u-150-42T-FG-GR	16000	400	500	150	42	+10/-10	Du	15	39	22	0.9	18	From -16 to 90	Dark Grey/Green	Applications: Tool Room Machines, Plastic Injection Moulding Machines, Pressure Die Casting Machines, Shaper, Printing and Textile Machines etc.
DTOP1-u-10-145-26T-FG-GR	1100	115	115	145	26	+4/-4	Du-10	10	19	10	0.9	25	From -16 to 90	Dark Grey/Green	
DTOP2-u-10-145-26T-FG-GR	1800	150	150	145	26	+5/-5	Du-10	10	22	12	0.9	25	From -16 to 90	Dark Grey/Green	
DTOP3-u-10-145-32T-FG-GR	3200	200	200	145	32	+6/-6	Du-10	10	22	12	0.9	25	From -16 to 90	Dark Grey/Green	
DTOP4-u-10-145-32T-FG-GR	4000	200	250	145	32	+9/-9	Du-10	10	27	14	0.9	25	From -16 to 90	Dark Grey/Green	
DTOP5-u-10-145-42T-FG-GR	6400	250	320	145	42	+9/-9	Du-10	10	32	18	0.9	25	From -16 to 90	Dark Grey/Green	
DTOP6-u-10-145-42T-FG-GR	9600	300	400	145	42	+10/-10	Du-10	10	32	18	0.9	25	From -16 to 90	Dark Grey/Green	Applications: Tool Room Machines, Plastic Injection Moulding Machines, Pressure Die Casting Machines, Shaper, Printing and Textile Machines etc.
DTOP7-u-10-145-42T-FG-GR	16000	400	500	145	42	+10/-10	Du-10	10	39	22	0.9	25	From -16 to 90	Dark Grey/Green	
DTOP1-u-12-147-26T-FG-GR	1100	115	115	147	26	+4/-4	Du-12	12	19	10	0.9	20	From -16 to 90	Dark Grey/Green	
DTOP2-u-12-147-26T-FG-GR	1800	150	150	147	26	+5/-5	Du-12	12	22	12	0.9	20	From -16 to 90	Dark Grey/Green	
DTOP3-u-12-147-32T-FG-GR	3200	200	200	147	32	+6/-6	Du-12	12	22	12	0.9	20	From -16 to 90	Dark Grey/Green	
DTOP4-u-12-147-32T-FG-GR	4000	200	250	147	32	+9/-9	Du-12	12	27	14	0.9	20	From -16 to 90	Dark Grey/Green	
DTOP5-u-12-147-42T-FG-GR	6400	250	320	147	42	+9/-9	Du-12	12	32	18	0.9	20	From -16 to 90	Dark Grey/Green	Applications: Tool Room Machines, Plastic Injection Moulding Machines, Pressure Die Casting Machines, Shaper, Printing and Textile Machines etc.
DTOP6-u-12-147-42T-FG-GR	9600	300	400	147	42	+10/-10	Du-12	12	32	18	0.9	20	From -16 to 90	Dark Grey/Green	
DTOP7-u-12-147-42T-FG-GR	16000	400	500	147	42	+10/-10	Du-12	12	39	22	0.9	20	From -16 to 90	Dark Grey/Green	



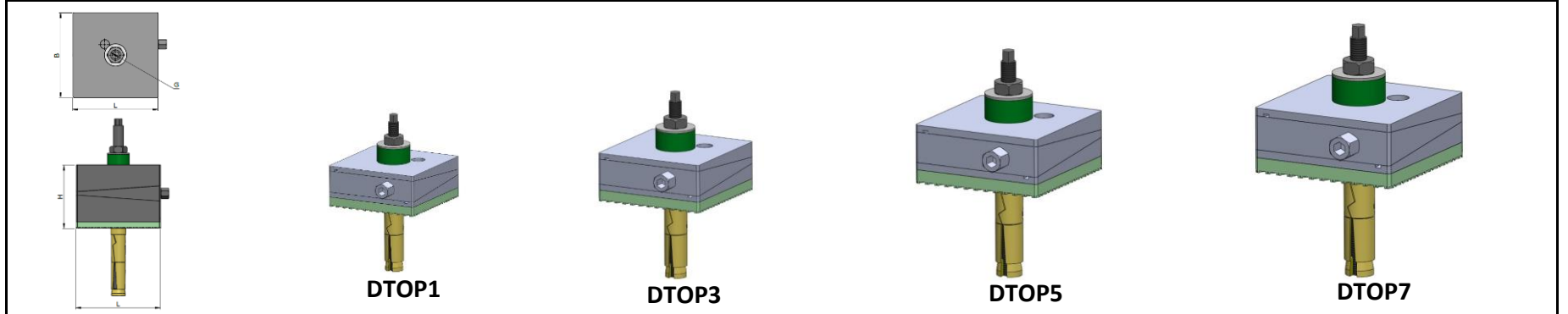
Model	Load Capacity Kg/pc	Length (L) mm	Width (B) mm	Height (H) at mean position (mm)	BORE* Ø(mm)	Adjustment Range (mm)	Bottom pad Type	Bottom pad Thickness (mm)	SW1 (mm)	SW2 (mm)	Coeff. of Friction against Concrete	Natural Frequency at Max. Load (Hz)	Temperature Range (°C)	Color	Applications
DTOP1-m-150-26T-FG-GR	1400	115	115	150	26	+4/-4	Dm	15	19	10	0.7	30	From -16 to 90	Dark Grey/Green	Applications: Power Presses, Stamping Machines, Shearing Machines, Punching Machines. For machines with high vertical impact.
DTOP2-m-150-26T-FG-GR	2200	150	150	150	26	+5/-5	Dm	15	22	12	0.7	30	From -16 to 90	Dark Grey/Green	
DTOP3-m-150-32T-FG-GR	4000	200	200	150	32	+6/-6	Dm	15	22	12	0.7	30	From -16 to 90	Dark Grey/Green	
DTOP4-m-150-32T-FG-GR	5000	200	250	150	32	+9/-9	Dm	15	27	14	0.7	30	From -16 to 90	Dark Grey/Green	
DTOP5-m-150-42T-FG-GR	8000	250	320	150	42	+9/-9	Dm	15	32	18	0.7	30	From -16 to 90	Dark Grey/Green	
DTOP6-m-150-42T-FG-GR	12000	300	400	150	42	+10/-10	Dm	15	32	18	0.7	30	From -16 to 90	Dark Grey/Green	
DTOP7-m-150-42T-FG-GR	20000	400	500	150	42	+10/-10	Dm	15	39	22	0.7	30	From -16 to 90	Dark Grey/Green	



Model	Load Capacity Kg/pc	Length (L) mm	Width (B) mm	Height (H) at mean position (mm)	BORE* Ø(mm)	Adjustment Range (mm)	Bottom pad Type	Bottom pad Thickness (mm)	SW1 (mm)	SW2 (mm)	Coeff. of Friction against Concrete	Natural Frequency at Max. Load (Hz)	Temperature Range (°C)	Color	Applications
DTOP1-i-160-26T-FG-GR	1800	115	115	160	26	+4/-4	Di	25	19	10	0.8	7	From -16 to 90	Dark Grey/Green	Applications: Power Presses, Stamping Machines, Shearing Machines, Punching Machines. For machines with high vertical impact.
DTOP2-i-160-26T-FG-GR	2900	150	150	160	26	+5/-5	Di	25	22	12	0.8	7	From -16 to 90	Dark Grey/Green	
DTOP3-i-160-32T-FG-GR	5200	200	200	160	32	+6/-6	Di	25	22	12	0.8	7	From -16 to 90	Dark Grey/Green	
DTOP4-i-160-32T-FG-GR	6500	200	250	160	32	+9/-9	Di	25	27	14	0.8	7	From -16 to 90	Dark Grey/Green	
DTOP5-i-160-42T-FG-GR	10000	250	320	160	42	+9/-9	Di	25	32	18	0.8	7	From -16 to 90	Dark Grey/Green	
DTOP6-i-160-42T-FG-GR	15000	300	400	160	42	+10/-10	Di	25	32	18	0.8	7	From -16 to 90	Dark Grey/Green	
DTOP7-i-160-42T-FG-GR	26000	400	500	160	42	+10/-10	Di	25	39	22	0.8	7	From -16 to 90	Dark Grey/Green	

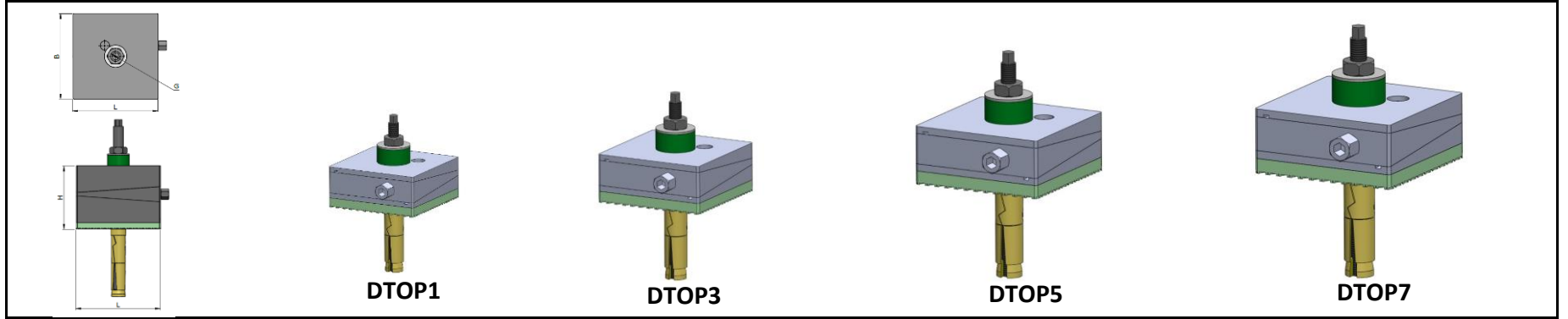
Model	Load Capacity Kg/pc	Length (L) mm	Width (B) mm	Height (H) at mean position (mm)	BORE* Ø(mm)	Adjustment Range (mm)	Bottom pad Type	Bottom pad Thickness (mm)	SW1 (mm)	SW2 (mm)	Coeff. of Friction against Concrete	Natural Frequency at Max. Load (Hz)	Temperature Range (°C)	Color	Applications
DTOP1-p1-150-26T-FG-GR	530	115	115	150	26	+4/-4	Dp1	15	19	10	0.8	7	From -16 to 90	Dark Grey/Green	Applications: Power Presses, Stamping Machines, Shearing Machines, Punching Machines. For machines with high vertical impact.
DTOP2-p1-150-26T-FG-GR	900	150	150	150	26	+5/-5	Dp1	15	22	12	0.8	7	From -16 to 90	Dark Grey/Green	
DTOP3-p1-150-32T-FG-GR	1600	200	200	150	32	+6/-6	Dp1	15	22	12	0.8	7	From -16 to 90	Dark Grey/Green	
DTOP4-p1-150-32T-FG-GR	2000	200	250	150	32	+9/-9	Dp1	15	27	14	0.8	7	From -16 to 90	Dark Grey/Green	
DTOP5-p1-150-42T-FG-GR	3200	250	320	150	42	+9/-9	Dp1	15	32	18	0.8	7	From -16 to 90	Dark Grey/Green	
DTOP6-p1-150-42T-FG-GR	4800	300	400	150	42	+10/-10	Dp1	15	32	18	0.8	7	From -16 to 90	Dark Grey/Green	
DTOP7-p1-150-42T-FG-GR	8000	400	500	150	42	+10/-10	Dp1	15	39	22	0.8	7	From -16 to 90	Dark Grey/Green	
DTOP1-p2-155-26T-FG-GR	660	115	115	155	26	+4/-4	Dp2	20	19	10	0.8	12	From -16 to 90	Dark Grey/Green	Applications: Medium Presses, Punching Presses, Centreless Grinding Machines, Gear Shapers, High Speed Machines on upper floors.
DTOP2-p2-155-26T-FG-GR	1130	150	150	155	26	+5/-5	Dp2	20	22	12	0.8	12	From -16 to 90	Dark Grey/Green	
DTOP3-p2-155-32T-FG-GR	2000	200	200	155	32	+6/-6	Dp2	20	22	12	0.8	12	From -16 to 90	Dark Grey/Green	
DTOP4-p2-155-32T-FG-GR	2500	200	250	155	32	+9/-9	Dp2	20	27	14	0.8	12	From -16 to 90	Dark Grey/Green	
DTOP5-p2-155-42T-FG-GR	4000	250	320	155	42	+9/-9	Dp2	20	32	18	0.8	12	From -16 to 90	Dark Grey/Green	
DTOP6-p2-155-42T-FG-GR	6000	300	400	155	42	+10/-10	Dp2	20	32	18	0.8	12	From -16 to 90	Dark Grey/Green	
DTOP7-p2-155-42T-FG-GR	10000	400	500	155	42	+10/-10	Dp2	20	39	22	0.8	12	From -16 to 90	Dark Grey/Green	
DTOP1-p3-159-26T-FG-GR	790	115	115	159	26	+4/-4	Dp3	24	19	10	0.8	7	From -16 to 90	Dark Grey/Green	Applications: Tool Room Machines on suspended Floors, Light Weight Presses, Compressors etc.
DTOP2-p3-159-26T-FG-GR	1350	150	150	159	26	+5/-5	Dp3	24	22	12	0.8	7	From -16 to 90	Dark Grey/Green	
DTOP3-p3-159-32T-FG-GR	2400	200	200	159	32	+6/-6	Dp3	24	22	12	0.8	7	From -16 to 90	Dark Grey/Green	
DTOP4-p3-159-32T-FG-GR	3000	200	250	159	32	+9/-9	Dp3	24	27	14	0.8	7	From -16 to 90	Dark Grey/Green	
DTOP5-p3-159-42T-FG-GR	4800	250	320	159	42	+9/-9	Dp3	24	32	18	0.8	7	From -16 to 90	Dark Grey/Green	
DTOP6-p3-159-42T-FG-GR	7200	300	400	159	42	+10/-10	Dp3	24	32	18	0.8	7	From -16 to 90	Dark Grey/Green	
DTOP7-p3-159-42T-FG-GR	12000	400	500	159	42	+10/-10	Dp3	24	39	22	0.8	7	From -16 to 90	Dark Grey/Green	

Model	Load Capacity Kg/pc	Length (L) mm	Width (B) mm	Height (H) at mean position (mm)	BORE* Ø(mm)	Adjustment Range (mm)	Bottom pad Type	Bottom pad Thickness (mm)	SW1 (mm)	SW2 (mm)	Coeff. of Friction against Concrete	Natural Frequency at Max. Load (Hz)	Temperature Range (°C)	Color	Applications
DTOP1-s1-155-26T-FG-GR	660	115	115	155	26	+4/-4	Ds1	20	19	10	0.8	15	From -16 to 90	Dark Grey/Green	Applications: Tool Room Machines, Plastic Injection Moulding Machines, Pressure Die Casting Machines, Shaper, Printing and Textile Machines etc.
DTOP2-s1-155-26T-FG-GR	1130	150	150	155	26	+5/-5	Ds1	20	22	12	0.8	15	From -16 to 90	Dark Grey/Green	
DTOP3-s1-155-32T-FG-GR	2000	200	200	155	32	+6/-6	Ds1	20	22	12	0.8	15	From -16 to 90	Dark Grey/Green	
DTOP4-s1-155-32T-FG-GR	2500	200	250	155	32	+9/-9	Ds1	20	27	14	0.8	15	From -16 to 90	Dark Grey/Green	
DTOP5-s1-155-42T-FG-GR	4000	250	320	155	42	+9/-9	Ds1	20	32	18	0.8	15	From -16 to 90	Dark Grey/Green	
DTOP6-s1-155-42T-FG-GR	6000	300	400	155	42	+10/-10	Ds1	20	32	18	0.8	15	From -16 to 90	Dark Grey/Green	
DTOP7-s1-155-42T-FG-GR	10000	400	500	155	42	+10/-10	Ds1	20	39	22	0.8	15	From -16 to 90	Dark Grey/Green	
DTOP1-s2-160-26T-FG-GR	950	115	115	160	26	+4/-4	Ds2	25	19	10	0.8	8	From -16 to 90	Dark Grey/Green	Applications: Power Presses, Stamping Machines, Shearing Machines, Punching Machines. For machines with high vertical impact.
DTOP2-s2-160-26T-FG-GR	1600	150	150	160	26	+5/-5	Ds2	25	22	12	0.8	8	From -16 to 90	Dark Grey/Green	
DTOP3-s2-160-32T-FG-GR	2800	200	200	160	32	+6/-6	Ds2	25	22	12	0.8	8	From -16 to 90	Dark Grey/Green	
DTOP4-s2-160-32T-FG-GR	3500	200	250	160	32	+9/-9	Ds2	25	27	14	0.8	8	From -16 to 90	Dark Grey/Green	
DTOP5-s2-160-42T-FG-GR	5500	250	320	160	42	+9/-9	Ds2	25	32	18	0.8	8	From -16 to 90	Dark Grey/Green	
DTOP6-s2-160-42T-FG-GR	8500	300	400	160	42	+10/-10	Ds2	25	32	18	0.8	8	From -16 to 90	Dark Grey/Green	
DTOP7-s2-160-42T-FG-GR	14000	400	500	160	42	+10/-10	Ds2	25	39	22	0.8	8	From -16 to 90	Dark Grey/Green	

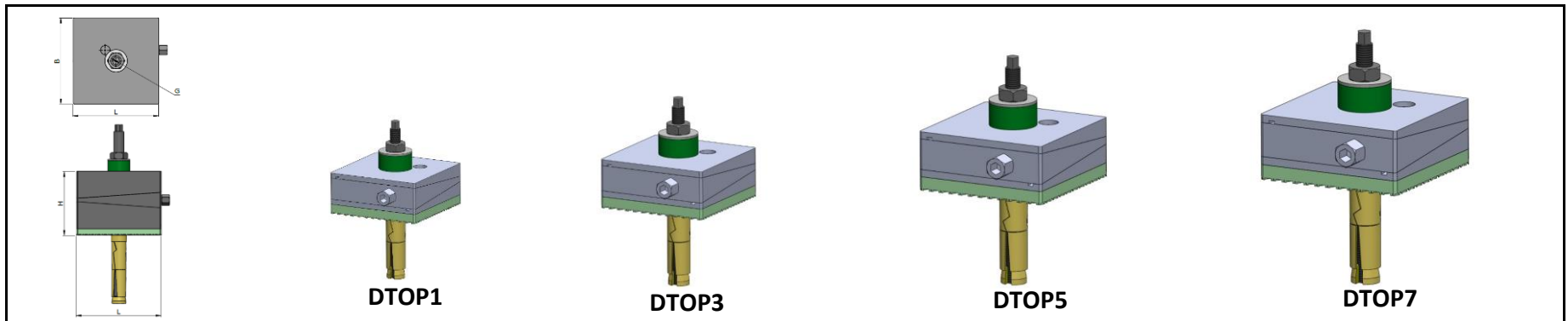


Model	Load Capacity Kg/pc	Length (L) mm	Width (B) mm	Height (H) at mean position (mm)	BORE* Ø(mm)	Adjustment Range (mm)	Bottom pad Type	Bottom pad Thickness (mm)	SW1 (mm)	SW2 (mm)	Coeff. of Friction against Concrete	Natural Frequency at Max. Load (Hz)	Temperature Range (°C)	Color	Applications
DTOP1-hs1-200-26T-FG-GR	2650	115	115	200	26	+4/-4	Dhs1	65	19	10	0.8	6	From -16 to 90	Dark Grey/Green	Applications : Forging Hammers, Heavy Gen Sets, Heavy Industrial machines, Test Rigs, Heavy presses etc.
DTOP2-hs1-200-26T-FG-GR	4500	150	150	200	26	+5/-5	Dhs1	65	22	12	0.8	6	From -16 to 90	Dark Grey/Green	
DTOP3-hs1-200-32T-FG-GR	8000	200	200	200	32	+6/-6	Dhs1	65	22	12	0.8	6	From -16 to 90	Dark Grey/Green	
DTOP4-hs1-200-32T-FG-GR	14000	200	250	200	32	+9/-9	Dhs1	65	27	14	0.8	6	From -16 to 90	Dark Grey/Green	
DTOP5-hs1-200-42T-FG-GR	16000	250	320	200	42	+9/-9	Dhs1	65	32	18	0.8	6	From -16 to 90	Dark Grey/Green	
DTOP6-hs1-200-42T-FG-GR	24000	300	400	200	42	+10/-10	Dhs1	65	32	18	0.8	6	From -16 to 90	Dark Grey/Green	
DTOP7-hs1-200-42T-FG-GR	40000	400	500	200	42	+10/-10	Dhs1	65	39	22	0.8	6	From -16 to 90	Dark Grey/Green	
DTOP1-hs2-200-26T-FG-GR	1060	115	115	200	26	+4/-4	Dhs2	65	19	10	0.8	4	From -16 to 90	Dark Grey/Green	Applications : Forging Hammers, Heavy Gen Sets, Heavy Industrial machines, Test Rigs, Heavy presses, crushers etc.
DTOP2-hs2-200-26T-FG-GR	1800	150	150	200	26	+5/-5	Dhs2	65	22	12	0.8	4	From -16 to 90	Dark Grey/Green	
DTOP3-hs2-200-32T-FG-GR	3200	200	200	200	32	+6/-6	Dhs2	65	22	12	0.8	4	From -16 to 90	Dark Grey/Green	
DTOP4-hs2-200-32T-FG-GR	4000	200	250	200	32	+9/-9	Dhs2	65	27	14	0.8	4	From -16 to 90	Dark Grey/Green	
DTOP5-hs2-200-42T-FG-GR	6400	250	320	200	42	+9/-9	Dhs2	65	32	18	0.8	4	From -16 to 90	Dark Grey/Green	
DTOP6-hs2-200-42T-FG-GR	9600	300	400	200	42	+10/-10	Dhs2	65	32	18	0.8	4	From -16 to 90	Dark Grey/Green	
DTOP7-hs2-200-42T-FG-GR	16000	400	500	200	42	+10/-10	Dhs2	65	39	22	0.8	4	From -16 to 90	Dark Grey/Green	
DTOP1-hs3-185-26T-FG-GR	3700	115	115	185	26	+4/-4	Dhs3	50	19	10	0.8	7	From -16 to 90	Dark Grey/Green	Applications : Forging Hammers, Heavy Gen Sets, Heavy Industrial machines,
DTOP2-hs3-185-26T-FG-GR	6300	150	150	185	26	+5/-5	Dhs3	50	22	12	0.8	7	From -16 to 90	Dark Grey/Green	
DTOP3-hs3-185-32T-FG-GR	11200	200	200	185	32	+6/-6	Dhs3	50	22	12	0.8	7	From -16 to 90	Dark Grey/Green	
DTOP4-hs3-185-32T-FG-GR	14000	200	250	185	32	+9/-9	Dhs3	50	27	14	0.8	7	From -16 to 90	Dark Grey/Green	

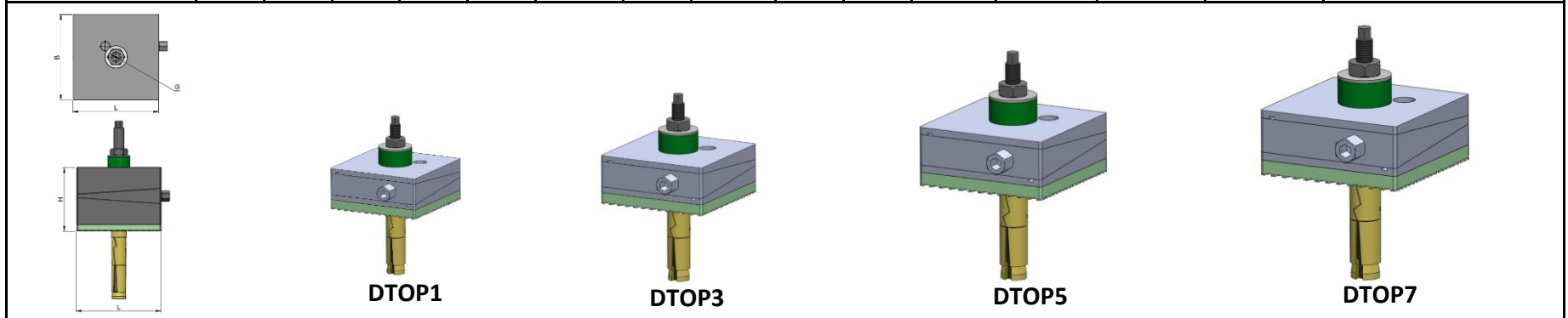
DTOP5-hs3-185-42T-FG-GR	22400	250	320	185	42	+9/-9	Dhs3	50	32	18	0.8	7	From -16 to 90	Dark Grey/Green	Test Rigs, Heavy presses etc.
DTOP6-hs3-185-42T-FG-GR	33600	300	400	185	42	+10/-10	Dhs3	50	32	18	0.8	7	From -16 to 90	Dark Grey/Green	
DTOP7-hs3-185-42T-FG-GR	56000	400	500	185	42	+10/-10	Dhs3	50	39	22	0.8	7	From -16 to 90	Dark Grey/Green	
DTOP1-hs4-185-26T-FG-GR	1590	115	115	185	26	+4/-4	Dhs4	50	19	10	0.8	5	From -16 to 90	Dark Grey/Green	Applications : Forging Hammers, Heavy Gen Sets, Heavy Industrial machines, Test Rigs, Heavy presses, crushers etc.
DTOP2-hs4-185-26T-FG-GR	2700	150	150	185	26	+5/-5	Dhs4	50	22	12	0.8	5	From -16 to 90	Dark Grey/Green	
DTOP3-hs4-185-32T-FG-GR	4800	200	200	185	32	+6/-6	Dhs4	50	22	12	0.8	5	From -16 to 90	Dark Grey/Green	
DTOP4-hs4-185-32T-FG-GR	6000	200	250	185	32	+9/-9	Dhs4	50	27	14	0.8	5	From -16 to 90	Dark Grey/Green	
DTOP5-hs4-185-42T-FG-GR	9600	250	320	185	42	+9/-9	Dhs4	50	32	18	0.8	5	From -16 to 90	Dark Grey/Green	
DTOP6-hs4-185-42T-FG-GR	14000	300	400	185	42	+10/-10	Dhs4	50	32	18	0.8	5	From -16 to 90	Dark Grey/Green	
DTOP7-hs4-185-42T-FG-GR	24000	400	500	185	42	+10/-10	Dhs4	50	39	22	0.8	5	From -16 to 90	Dark Grey/Green	
DTOP1-hs5-215-26T-FG-GR	3700	115	115	215	26	+4/-4	Dhs5	80	19	10	0.8	5	From -16 to 90	Dark Grey/Green	Applications : Forging Hammers, Heavy Gen Sets, Heavy Industrial machines, Test Rigs, Heavy presses etc.
DTOP2-hs5-215-26T-FG-GR	6300	150	150	215	26	+5/-5	Dhs5	80	22	12	0.8	5	From -16 to 90	Dark Grey/Green	
DTOP3-hs5-215-32T-FG-GR	11200	200	200	215	32	+6/-6	Dhs5	80	22	12	0.8	5	From -16 to 90	Dark Grey/Green	
DTOP4-hs5-215-32T-FG-GR	14000	200	250	215	32	+9/-9	Dhs5	80	27	14	0.8	5	From -16 to 90	Dark Grey/Green	
DTOP5-hs5-215-42T-FG-GR	22400	250	320	215	42	+9/-9	Dhs5	80	32	18	0.8	5	From -16 to 90	Dark Grey/Green	
DTOP6-hs5-215-42T-FG-GR	33600	300	400	215	42	+10/-10	Dhs5	80	32	18	0.8	5	From -16 to 90	Dark Grey/Green	
DTOP7-hs5-215-42T-FG-GR	56000	400	500	215	42	+10/-10	Dhs5	80	39	22	0.8	5	From -16 to 90	Dark Grey/Green	



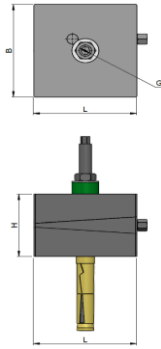
Model	Load Capacity Kg/pc	Length (L) mm	Width (B) mm	Height (H) at mean position (mm)	BORE* Ø(mm)	Adjustment Range (mm)	Bottom pad Type	Bottom pad Thickness (mm)	SW1 (mm)	SW2 (mm)	Coeff. of Friction against Concrete	Natural Frequency at Max. Load (Hz)	Temperature Range (°C)	Color	Applications
DTOP1-h-150-26T-FG-GR	3970	115	115	150	26	+4/-4	Dh	15	19	10	0.6	45	From -16 to 90	Dark Grey/Green	Applications : Very Heavy and long bed machines, long machining centres, planners etc.
DTOP2-h-150-26T-FG-GR	6750	150	150	150	26	+5/-5	Dh	15	22	12	0.6	45	From -16 to 90	Dark Grey/Green	
DTOP3-h-150-32T-FG-GR	12000	200	200	150	32	+6/-6	Dh	15	22	12	0.6	45	From -16 to 90	Dark Grey/Green	
DTOP4-h-150-32T-FG-GR	15000	200	250	150	32	+9/-9	Dh	15	27	14	0.6	45	From -16 to 90	Dark Grey/Green	
DTOP5-h-150-42T-FG-GR	24000	250	320	150	42	+9/-9	Dh	15	32	18	0.6	45	From -16 to 90	Dark Grey/Green	
DTOP6-h-150-42T-FG-GR	36000	300	400	150	42	+10/-10	Dh	15	32	18	0.6	45	From -16 to 90	Dark Grey/Green	
DTOP7-h-150-42T-FG-GR	60000	400	500	150	42	+10/-10	Dh	15	39	22	0.6	45	From -16 to 90	Dark Grey/Green	



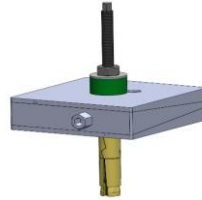
Model	Load Capacity Kg/pc	Length (L) mm	Width (B) mm	Height (H) at mean position (mm)	BORE* Ø(mm)	Adjustment Range (mm)	Bottom pad Type	Bottom pad Thickness (mm)	SW1 (mm)	SW2 (mm)	Coeff. of Friction against Concrete	Natural Frequency at Max. Load (Hz)	Temperature Range (°C)	Color	Applications
DTOP1-a1-137-26T-FG-GR	2380	115	115	137	26	+4/-4	Da1	2	19	10	0.8	70	From -16 to 90	Dark Grey/Green	
DTOP2-a1-137-26T-FG-GR	4050	150	150	137	26	+5/-5	Da1	2	22	12	0.8	70	From -16 to 90	Dark Grey/Green	
DTOP3-a1-137-32T-FG-GR	7200	200	200	137	32	+6/-6	Da1	2	22	12	0.8	70	From -16 to 90	Dark Grey/Green	
DTOP4-a1-137-32T-FG-GR	9000	200	250	137	32	+9/-9	Da1	2	27	14	0.8	70	From -16 to 90	Dark Grey/Green	
DTOP5-a1-137-42T-FG-GR	14400	250	320	137	42	+9/-9	Da1	2	32	18	0.8	70	From -16 to 90	Dark Grey/Green	
DTOP6-a1-137-42T-FG-GR	21600	300	400	137	42	+10/-10	Da1	2	32	18	0.8	70	From -16 to 90	Dark Grey/Green	
DTOP7-a1-137-42T-FG-GR	36000	400	500	137	42	+10/-10	Da1	2	39	22	0.8	70	From -16 to 90	Dark Grey/Green	



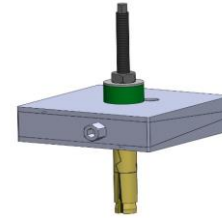
Model	Load Capacity Kg/pc	Length (L) mm	Width (B) mm	Height (H) at mean position (mm)	BORE* Ø(mm)	Adjustment Range (mm)	Bottom pad Type	Bottom pad Thickness (mm)	SW1 (mm)	SW2 (mm)	Coeff. of Friction against Concrete	Natural Frequency at Max. Load (Hz)	Temperature Range (°C)	Color	Applications
DTOP1-a2-143-26T-FG-GR	1320	115	115	143	26	+4/-4	Da2	8	19	10	0.9	45	From -16 to 90	Dark Grey/Green	
DTOP2-a2-143-26T-FG-GR	2250	150	150	143	26	+5/-5	Da2	8	22	12	0.9	45	From -16 to 90	Dark Grey/Green	
DTOP3-a2-143-32T-FG-GR	4000	200	200	143	32	+6/-6	Da2	8	22	12	0.9	45	From -16 to 90	Dark Grey/Green	
DTOP4-a2-143-32T-FG-GR	6500	200	250	143	32	+9/-9	Da2	8	27	14	0.9	45	From -16 to 90	Dark Grey/Green	
DTOP5-a2-143-42T-FG-GR	8000	250	320	143	42	+9/-9	Da2	8	32	18	0.9	45	From -16 to 90	Dark Grey/Green	
DTOP6-a2-143-42T-FG-GR	12000	300	400	143	42	+10/-10	Da2	8	32	18	0.9	45	From -16 to 90	Dark Grey/Green	
DTOP7-a2-143-42T-FG-GR	20000	400	500	143	42	+10/-10	Da2	8	39	22	0.9	45	From -16 to 90	Dark Grey/Green	



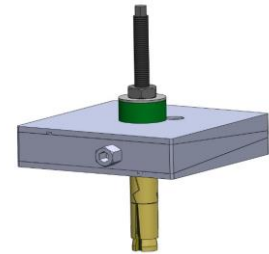
**DTOP1**



**DTOP3**



**DTOP5**



**DTOP7**

Model	Load Capacity Kg/pc	Length (L) mm	Width (B) mm	Height (H) at mean position (mm)	BORE* Ø(mm)	Adjustment Range (mm)	Bottom pad Type	Bottom pad Thickness (mm)	SW1 (mm)	SW2 (mm)	Coeff. of Friction against Concrete	Natural Frequency at Max. Load (Hz)	Temperature Range (°C)	Color	Applications
DTOP1-135-26T-FG-GR	3600	115	115	135	26	+4/-4	X	X	19	10	X	X	From -16 to 90	Dark Grey/Green	Applications : For levelling of all Precision Machines.
DTOP2-135-26T-FG-GR	3800	150	150	135	26	+5/-5	X	X	22	12	X	X	From -16 to 90	Dark Grey/Green	
DTOP3-135-32T-FG-GR	10400	200	200	135	32	+6/-6	X	X	22	12	X	X	From -16 to 90	Dark Grey/Green	
DTOP4-135-32T-FG-GR	13000	200	250	135	32	+9/-9	X	X	27	14	X	X	From -16 to 90	Dark Grey/Green	
DTOP5-135-42T-FG-GR	20000	250	320	135	42	+9/-9	X	X	32	18	X	X	From -16 to 90	Dark Grey/Green	
DTOP6-135-42T-FG-GR	30000	300	400	135	42	+10/-10	X	X	32	18	X	X	From -16 to 90	Dark Grey/Green	
DTOP7-135-42T-FG-GR	40000	400	500	135	42	+10/-10	X	X	39	22	X	X	From -16 to 90	Dark Grey/Green	