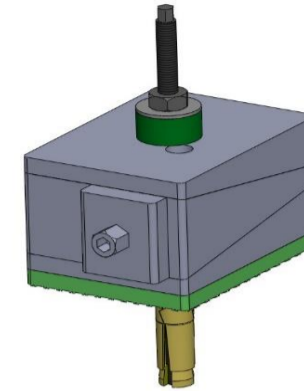
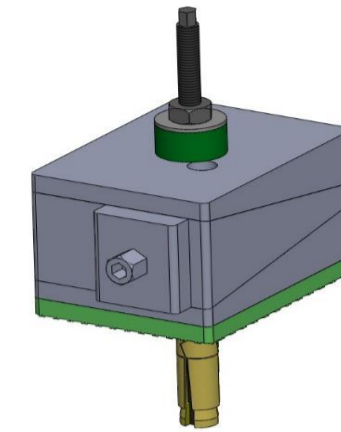


DTHO1



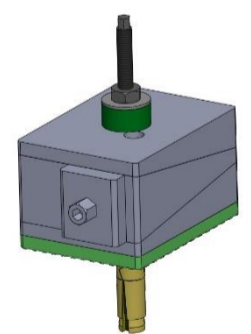
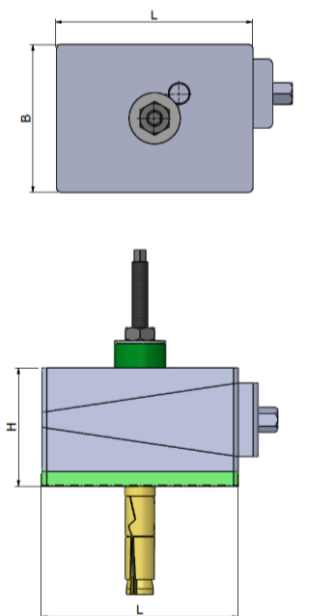
DTHO2



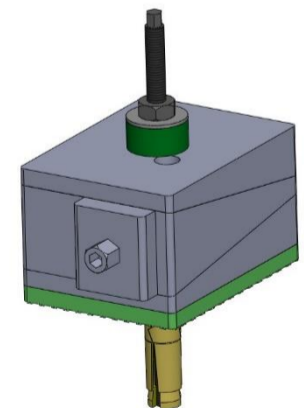
DTHO3

Dynemech Wedge mounts, Series DTHO mounts are sturdy in construction. Designed for machines with high axial dynamic forces and must be anchored to the ground. High levelling adjustment avoids the need of extra shims for installations on steep slope surfaces. DTPH has a height of 150mm to meet TPM requirements. Respective insulation plates are assembled to meet various applications.

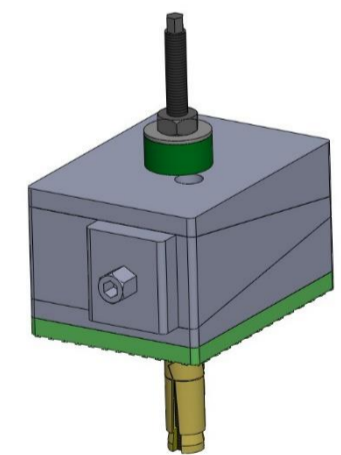
Model	Load Capacity Kg/pc	Length (L) mm	Width (B) mm	Height (H) at mean position (mm)	BORE* (mm)	Adjustment Range (mm)	Bottom pad Type	Bottom pad Thickness (mm)	SW1 (mm)	SW2 (mm)	Coeff. of Friction against Concrete	Natural Frequency at Max. Load (Hz)	Temperature Range (°C)	Color	Applications
DTHO1-u-25T-FG-DG	2250	200	125	88	25	+8/-8	Du	15	22	12	0.9	18	From -16 to 90	Dark Grey/Green	Applications: Tool Room Machines, Plastic Injection Moulding Machines, Pressure Die Casting Machines, Shaper, Printing and Textile Machines etc.
DTHO2-u-25T-FG-DG	2700	200	150	120	25	+10/-10	Du	15	22	12	0.9	18	From -16 to 90	Dark Grey/Green	
DTHO3-u-28T-FG-DG	4200	280	170	150	28	+12.5/-12.5	Du	15	39	22	0.9	18	From -16 to 90	Dark Grey/Green	
DTHO1-u-10-25T-FG-DG	2250	200	125	83	25	+8/-8	Du-10	10	22	12	0.9	25	From -16 to 90	Dark Grey/Green	Applications: Tool Room Machines, Plastic Injection Moulding Machines, Pressure Die Casting Machines, Shaper, Printing and Textile Machines etc.
DTHO2-u-10-25T-FG-DG	2700	200	150	115	25	+10/-10	Du-10	10	22	12	0.9	25	From -16 to 90	Dark Grey/Green	
DTHO3-u-10-28T-FG-DG	4200	280	170	145	28	+12.5/-12.5	Du-10	10	39	22	0.9	25	From -16 to 90	Dark Grey/Green	
DTHO1-u-12-25T-FG-DG	2250	200	125	85	25	+8/-8	Du-12	12	22	12	0.9	20	From -16 to 90	Dark Grey/Green	Applications: Tool Room Machines, Plastic Injection Moulding Machines, Pressure Die Casting Machines, Shaper, Printing and Textile Machines etc.
DTHO2-u-12-25T-FG-DG	2700	200	150	117	25	+10/-10	Du-12	12	22	12	0.9	20	From -16 to 90	Dark Grey/Green	
DTHO3-u-12-28T-FG-DG	4200	280	170	147	28	+12.5/-12.5	Du-12	12	39	22	0.9	20	From -16 to 90	Dark Grey/Green	



DTHO1

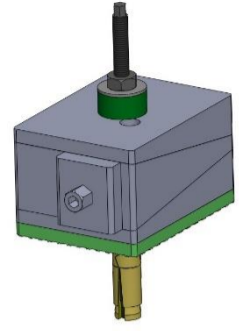
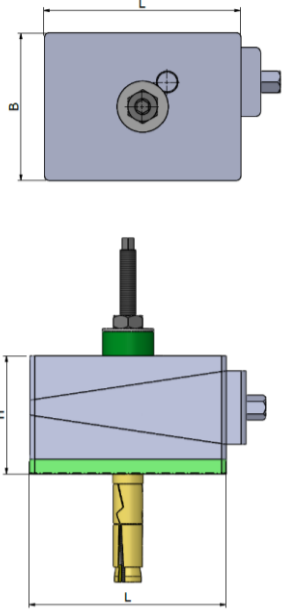


DTHO2

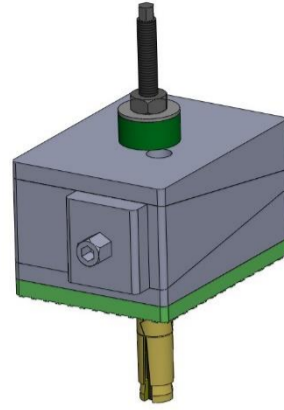


DTHO3

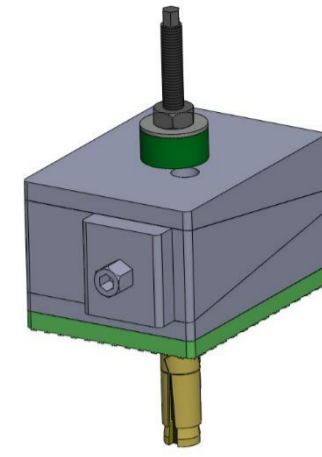
Model	Load Capacity Kg/pc	Length (L) mm	Width (B) mm	Height (H) at mean position (mm)	BORE* (mm)	Adjustment Range (mm)	Bottom pad Type	Bottom pad Thickness (mm)	SW1 (mm)	SW2 (mm)	Coeff. of Friction against Concrete	Natural Frequency at Max. Load (Hz)	Temperature Range (°C)	Color	Applications
DTHO1-m-25T-FG-DG	2500	200	125	88	25	+8/-8	Dm	15	22	12	0.7	30	From -16 to 90	Dark Grey/Green	Applications: Power Presses, Stamping Machines, Shearing Machines, Punching Machines. For machines with high vertical impact.
DTHO2-m-25T-FG-DG	3000	200	150	120	25	+10/-10	Dm	15	22	12	0.7	30	From -16 to 90	Dark Grey/Green	
DTHO3-m-28T-FG-DG	4600	280	170	150	28	+12.5/-12.5	Dm	15	39	22	0.7	30	From -16 to 90	Dark Grey/Green	



DTHO1

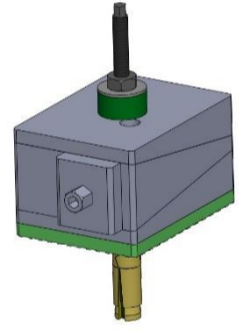
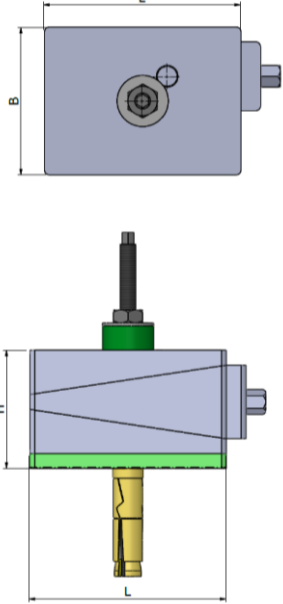


DTHO2

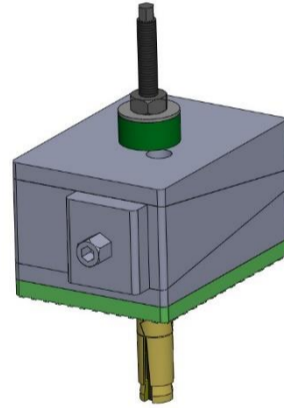


DTHO3

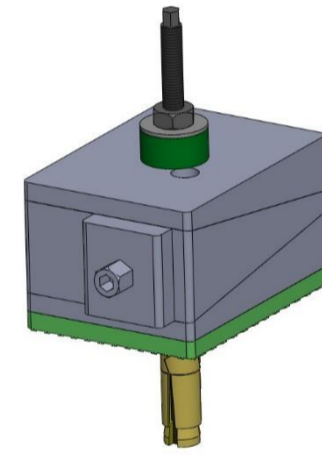
Model	Load Capacity Kg/pc	Length (L) mm	Width (B) mm	Height (H) at mean position (mm)	BORE* (mm)	Adjustment Range (mm)	Bottom pad Type	Bottom pad Thickness (mm)	SW1 (mm)	SW2 (mm)	Coeff. of Friction against Concrete	Natural Frequency at Max. Load (Hz)	Temperature Range (°C)	Color	Applications
DTHO1-i-25T-FG-DG	3500	200	125	98	25	+8/-8	Di	25	22	12	0.8	7	From -16 to 90	Dark Grey/Green	Applications: Power Presses, Stamping Machines, Shearing Machines, Punching Machines. For machines with high vertical impact.
DTHO2-i-25T-FG-DG	4200	200	150	130	25	+10/-10	Di	25	22	12	0.8	7	From -16 to 90	Dark Grey/Green	
DTHO3-i-28T-FG-DG	6400	280	170	160	28	+12.5/-12.5	Di	25	39	22	0.8	7	From -16 to 90	Dark Grey/Green	



DTHO1

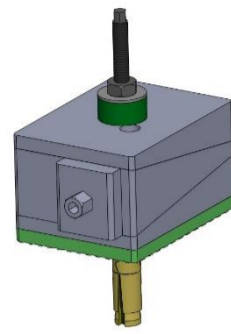
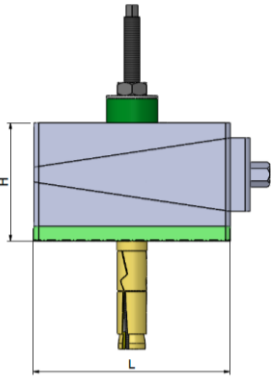
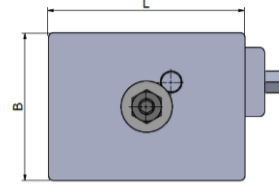


DTHO2

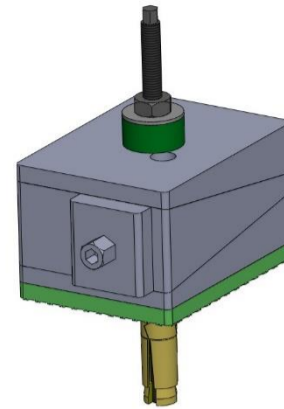


DTHO3

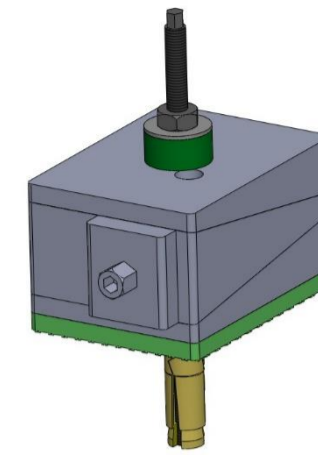
Model	Load Capacity Kg/pc	Length (L) mm	Width (B) mm	Height (H) at mean position (mm)	BORE* (mm)	Adjustment Range (mm)	Bottom pad Type	Bottom pad Thickness (mm)	SW1 (mm)	SW2 (mm)	Coeff. of Friction against Concrete	Natural Frequency at Max. Load (Hz)	Temperature Range (°C)	Color	Applications
DTHO1-p1-25T-FG-DG	1000	200	125	88	25	+8/-8	Dp1	15	22	12	0.8	7	From -16 to 90	Dark Grey/Green	Applications: Power Presses, Stamping Machines, Shearing Machines, Punching Machines. For machines with high vertical impact.
DTHO2-p1-25T-FG-DG	1200	200	150	120	25	+10/-10	Dp1	15	22	12	0.8	7	From -16 to 90	Dark Grey/Green	
DTHO3-p1-28T-FG-DG	1900	280	170	150	28	+12.5/-12.5	Dp1	15	39	22	0.8	7	From -16 to 90	Dark Grey/Green	
DTHO1-p2-25T-FG-DG	1250	200	125	93	25	+8/-8	Dp2	20	22	12	0.8	12	From -16 to 90	Dark Grey/Green	Applications: Medium Presses, Punching Presses, Centreless Grinding Machines, Gear Shapers, High Speed Machines on upper floors.
DTHO2-p2-25T-FG-DG	1500	200	150	125	25	+10/-10	Dp2	20	22	12	0.8	12	From -16 to 90	Dark Grey/Green	
DTHO3-p2-28T-FG-DG	2380	280	170	155	28	+12.5/-12.5	Dp2	20	39	22	0.8	12	From -16 to 90	Dark Grey/Green	
DTHO1-p3-25T-FG-DG	1500	200	125	97	25	+8/-8	Dp3	24	22	12	0.8	7	From -16 to 90	Dark Grey/Green	Applications: Tool Room Machines on suspended Floors, Light Weight Presses, Compressors etc.
DTHO2-p3-25T-FG-DG	1800	200	150	129	25	+10/-10	Dp3	24	22	12	0.8	7	From -16 to 90	Dark Grey/Green	
DTHO3-p3-28T-FG-DG	2860	280	170	159	28	+12.5/-12.5	Dp3	24	39	22	0.8	7	From -16 to 90	Dark Grey/Green	



DTHO1

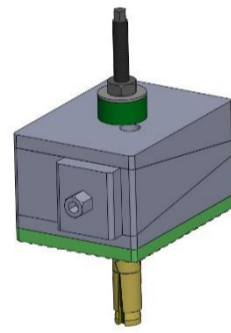
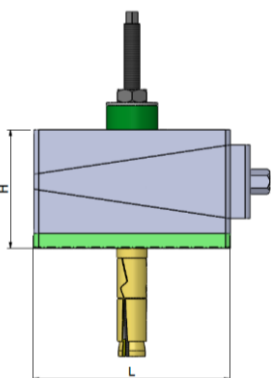
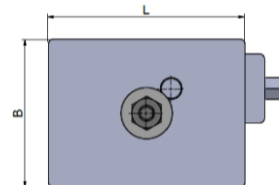


DTHO2

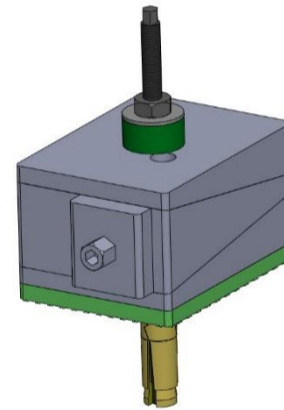


DTHO3

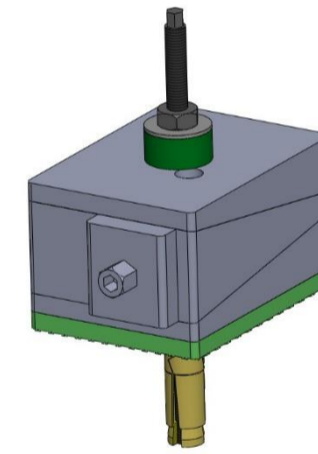
Model	Load Capacity Kg/pc	Length (L) mm	Width (B) mm	Height (H) at mean position (mm)	BORE* (mm)	Adjustment Range (mm)	Bottom pad Type	Bottom pad Thickness (mm)	SW1 (mm)	SW2 (mm)	Coeff. of Friction against Concrete	Natural Frequency at Max. Load (Hz)	Temperature Range (°C)	Color	Applications
DTHO1-s1-25T-FG-DG	1250	200	125	93	25	+8/-8	Ds1	20	22	12	0.8	15	From -16 to 90	Dark Grey/Green	Applications: Tool Room Machines, Plastic Injection Moulding Machines, Pressure Die Casting Machines, Shaper, Printing and Textile Machines etc.
DTHO2-s1-25T-FG-DG	1500	200	150	125	25	+10/-10	Ds1	20	22	12	0.8	15	From -16 to 90	Dark Grey/Green	
DTHO3-s1-28T-FG-DG	2380	280	170	155	28	+12.5/-12.5	Ds1	20	39	22	0.8	15	From -16 to 90	Dark Grey/Green	
DTHO1-s2-25T-FG-DG	2000	200	125	98	25	+8/-8	Ds2	25	22	12	0.8	8	From -16 to 90	Dark Grey/Green	Applications: Power Presses, Stamping Machines, Shearing Machines, Punching Machines. For machines with high vertical impact.
DTHO2-s2-25T-FG-DG	2400	200	150	130	25	+10/-10	Ds2	25	22	12	0.8	8	From -16 to 90	Dark Grey/Green	
DTHO3-s2-28T-FG-DG	3800	280	170	160	28	+12.5/-12.5	Ds2	25	39	22	0.8	8	From -16 to 90	Dark Grey/Green	



DTHO1



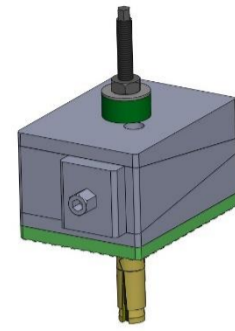
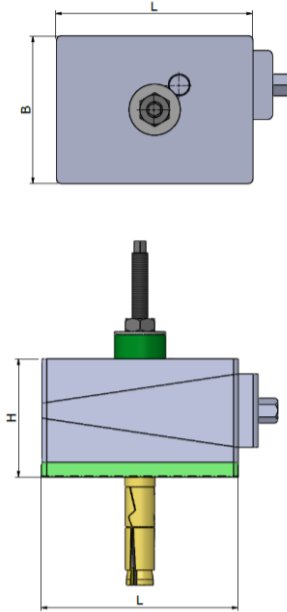
DTHO2



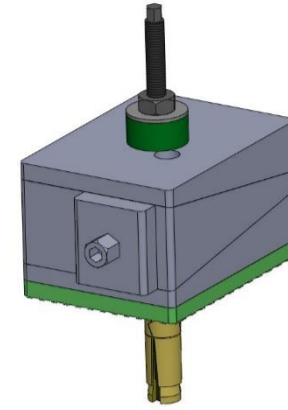
DTHO3

Model	Load Capacity Kg/pc	Length (L) mm	Width (B) mm	Height (H) at mean position (mm)	BORE* (mm)	Adjustment Range (mm)	Bottom pad Type	Bottom pad Thickness (mm)	SW1 (mm)	SW2 (mm)	Coeff. of Friction against Concrete	Natural Frequency at Max. Load (Hz)	Temperature Range (°C)	Color	Applications
DTHO1-hs1-25T-FG-DG	5000	200	125	138	25	+8/-8	Dhs1	65	22	12	0.8	6	From -16 to 90	Dark Grey/Green	Applications : Forging Hammers, Heavy Gen Sets, Heavy Industrial machines, Test Rigs, Heavy presses etc.
DTHO2-hs1-25T-FG-DG	6000	200	150	170	25	+10/-10	Dhs1	65	22	12	0.8	6	From -16 to 90	Dark Grey/Green	
DTHO3-hs1-28T-FG-DG	9520	280	170	200	28	+12.5/-12.5	Dhs1	65	39	22	0.8	6	From -16 to 90	Dark Grey/Green	
DTHO1-hs2-25T-FG-DG	2000	200	125	138	25	+8/-8	Dhs2	65	22	12	0.8	4	From -16 to 90	Dark Grey/Green	Applications : Forging Hammers, Heavy Gen Sets, Heavy Industrial machines, Test Rigs, Heavy presses, crushers etc.
DTHO2-hs2-25T-FG-DG	2400	200	150	170	25	+10/-10	Dhs2	65	22	12	0.8	4	From -16 to 90	Dark Grey/Green	
DTHO3-hs2-28T-FG-DG	3800	280	170	200	28	+12.5/-12.5	Dhs2	65	39	22	0.8	4	From -16 to 90	Dark Grey/Green	
DTHO1-hs3-25T-FG-DG	7000	200	125	123	25	+8/-8	Dhs3	50	22	12	0.8	7	From -16 to 90	Dark Grey/Green	Applications : Forging Hammers, Heavy Gen Sets, Heavy Industrial machines, Test Rigs, Heavy presses etc.
DTHO2-hs3-25T-FG-DG	8400	200	150	155	25	+10/-10	Dhs3	50	22	12	0.8	7	From -16 to 90	Dark Grey/Green	
DTHO3-hs3-28T-FG-DG	13330	280	170	185	28	+12.5/-12.5	Dhs3	50	39	22	0.8	7	From -16 to 90	Dark Grey/Green	
DTHO1-hs4-25T-FG-DG	3000	200	125	123	25	+8/-8	Dhs4	50	22	12	0.8	5	From -16 to 90	Dark Grey/Green	Applications : Forging Hammers, Heavy Gen Sets, Heavy Industrial machines, Test Rigs, Heavy presses, crushers etc.
DTHO2-hs4-25T-FG-DG	3600	200	150	155	25	+10/-10	Dhs4	50	22	12	0.8	5	From -16 to 90	Dark Grey/Green	
DTHO3-hs4-28T-FG-DG	5700	280	170	185	28	+12.5/-12.5	Dhs4	50	39	22	0.8	5	From -16 to 90	Dark Grey/Green	

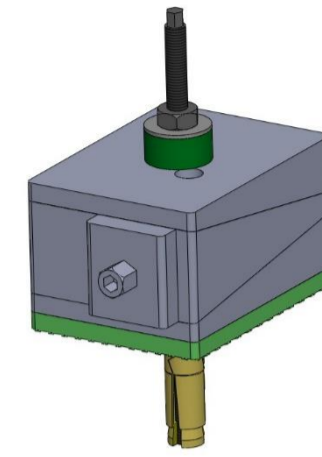
DTHO1-hs5-25T-FG-DG	7000	200	125	153	25	+8/-8	Dhs5	80	22	12	0.8	5	From -16 to 90	Dark Grey/Green	Applications : Forging Hammers, Heavy Gen Sets, Heavy Industrial machines, Test Rigs, Heavy presses etc.
DTHO2-hs5-25T-FG-DG	8400	200	150	185	25	+10/-10	Dhs5	80	22	12	0.8	5	From -16 to 90	Dark Grey/Green	
DTHO3-hs5-28T-FG-DG	13330	280	170	215	28	+12.5/-12.5	Dhs5	80	39	22	0.8	5	From -16 to 90	Dark Grey/Green	



DTHO1

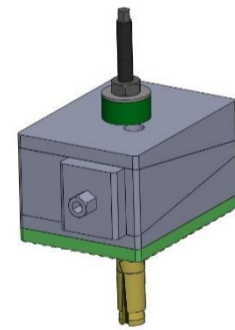
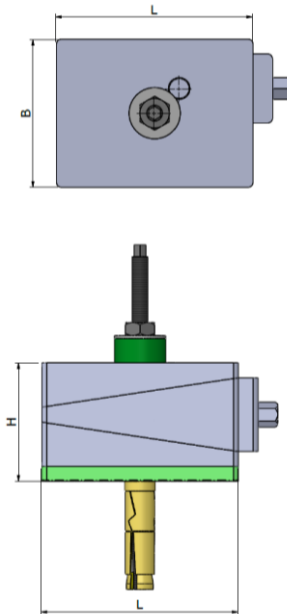


DTHO2

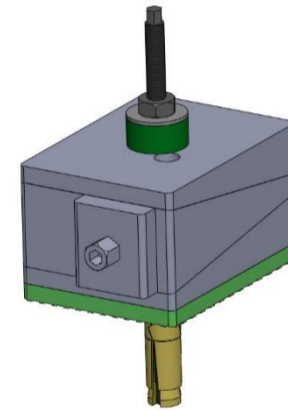


DTHO3

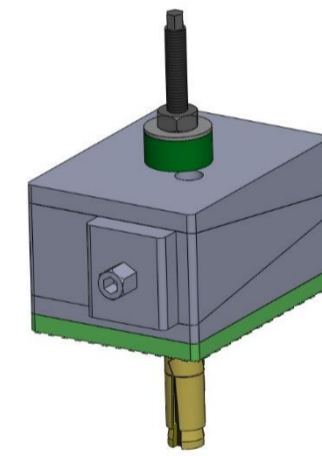
Model	Load Capacity Kg/pc	Length (L) mm	Width (B) mm	Height (H) at mean position (mm)	BORE* (mm)	Adjustment Range (mm)	Bottom pad Type	Bottom pad Thickness (mm)	SW1 (mm)	SW2 (mm)	Coeff. of Friction against Concrete	Natural Frequency at Max. Load (Hz)	Temperature Range (°C)	Color	Applications
DTHO1-h-25T-FG-DG	7500	200	125	88	25	+8/-8	Dh	15	22	12	0.6	45	From -16 to 90	Dark Grey/Green	Applications : Very Heavy and long bed machines, long machining centres, planners etc.
DTHO2-h-25T-FG-DG	9000	200	150	120	25	+10/-10	Dh	15	22	12	0.6	45	From -16 to 90	Dark Grey/Green	
DTHO3-h-28T-FG-DG	14000	280	170	150	28	+12.5/-12.5	Dh	15	39	22	0.6	45	From -16 to 90	Dark Grey/Green	



DTHO1

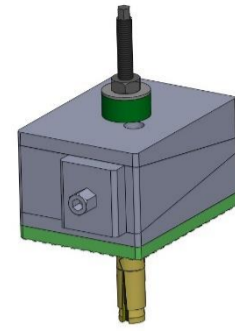
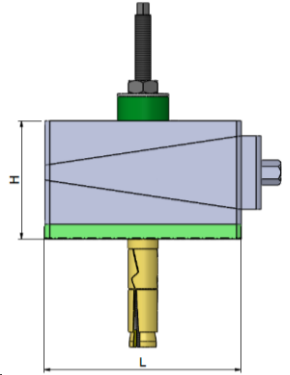
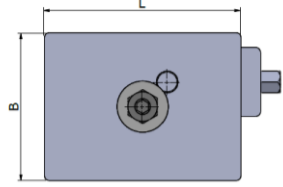


DTHO2

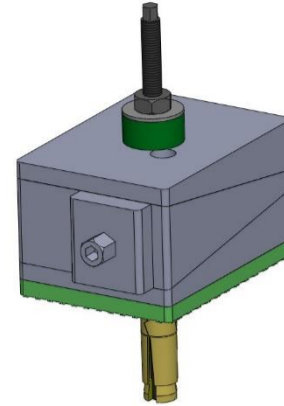


DTHO3

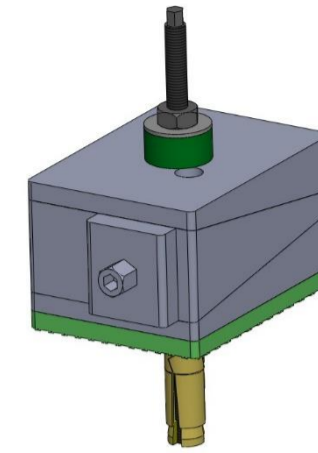
Model	Load Capacity Kg/pc	Length (L) mm	Width (B) mm	Height (H) at mean position (mm)	BORE* (mm)	Adjustment Range (mm)	Bottom pad Type	Bottom pad Thickness (mm)	SW1 (mm)	SW2 (mm)	Coeff. of Friction against Concrete	Natural Frequency at Max. Load (Hz)	Temperature Range (°C)	Color	Applications
DTHO1-a1-25T-FG-DG	4500	200	125	75	25	+8/-8	Da1	2	22	12	0.8	70	From -16 to 90	Dark Grey/Green	
DTHO2-a1-25T-FG-DG	5400	200	150	107	25	+10/-10	Da1	2	22	12	0.8	70	From -16 to 90	Dark Grey/Green	
DTHO3-a1-28T-FG-DG	8570	280	170	137	28	+12.5/-12.5	Da1	2	39	22	0.8	70	From -16 to 90	Dark Grey/Green	



DTHO1

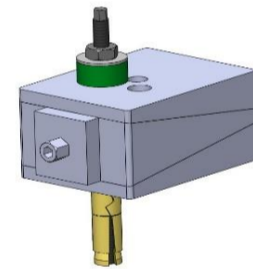
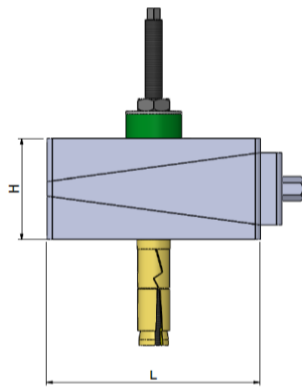
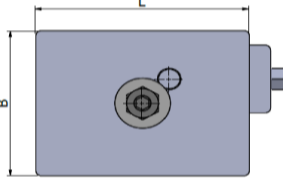


DTHO2

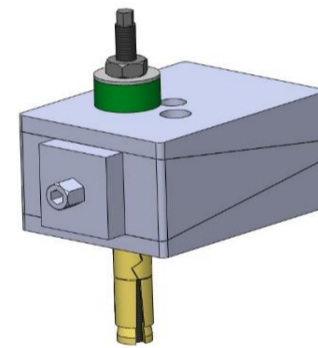


DTHO3

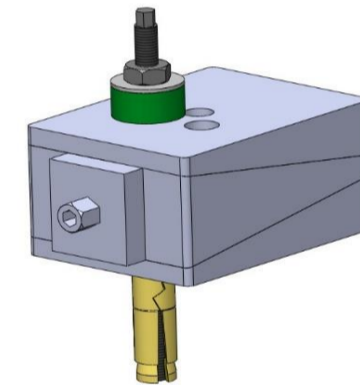
Model	Load Capacity Kg/pc	Length (L) mm	Width (B) mm	Height (H) at mean position (mm)	BORE* (mm)	Adjustment Range (mm)	Bottom pad Type	Bottom pad Thickness (mm)	SW1 (mm)	SW2 (mm)	Coeff. of Friction against Concrete	Natural Frequency at Max. Load (Hz)	Temperature Range (°C)	Color	Applications
DTHO1-a2-25T-FG-DG	2500	200	125	81	25	+8/-8	Da2	8	22	12	0.9	45	From -16 to 90	Dark Grey/Green	
DTHO2-a2-25T-FG-DG	3000	200	150	113	25	+10/-10	Da2	8	22	12	0.9	45	From -16 to 90	Dark Grey/Green	
DTHO3-a2-28T-FG-DG	4760	280	170	143	28	+12.5/-12.5	Da2	8	39	22	0.9	45	From -16 to 90	Dark Grey/Green	



DTHO1



DTHO2



DTHO3

Model	Load Capacity Kg/pc	Length (L) mm	Width (B) mm	Height (H) at mean position (mm)	BORE* (mm)	Adjustment Range (mm)	Bottom pad Type	Bottom pad Thickness (mm)	SW1 (mm)	SW2 (mm)	Coeff. of Friction against Concrete	Natural Frequency at Max. Load (Hz)	Temperature Range (°C)	Color	Applications
DTHO1-25T-FG-DG	13000	200	125	73	25	+8/-8	X	X	22	12	X	X	From -16 to 90	Dark Grey/Green	Applications : For levelling of all Precision Machines.
DTHO2-25T-FG-DG	16000	200	150	105	25	+10/-10	X	X	22	12	X	X	From -16 to 90	Dark Grey/Green	
DTHO3-28T-FG-DG	23000	280	170	135	28	+12.5/-12.5	X	X	39	22	X	X	From -16 to 90	Dark Grey/Green	