

DB0



DB2



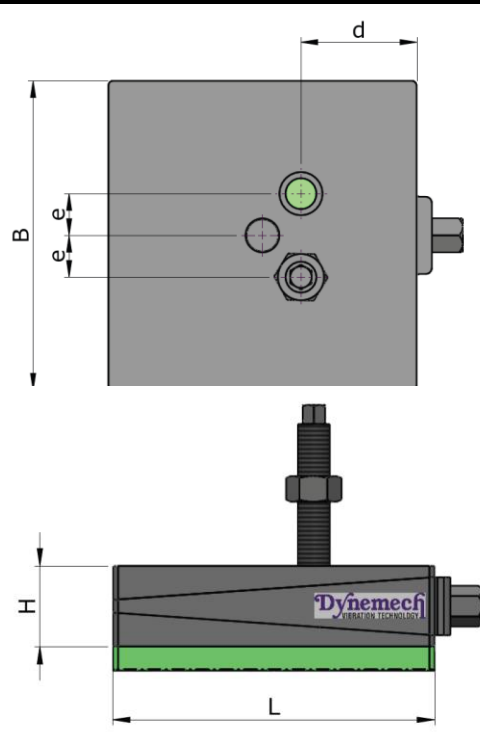
DB4



DB6

Dynemech Wedge mounts, Series DB are designed for industrial machine tools that require precision levelling, vibration reduction, and/or need to be firmly mounted with the isolator.

Model	Load Capacity Kg/pc	Length (L) mm	Width (B) mm	Height (H) at mean position (mm)	d (mm)	e (mm)	Bolt Size (mm)	Adjustment Range (mm)	Bottom pad Type	Bottom pad Thickness (mm)	SW1 (mm)	SW2 (mm)	Coeff. of Friction against Concrete	Natural Frequency at Max. Load (Hz)	Temperature Range (° C)	Color	Applications
DB0-u-FG-M12x1.75x150-S-Z-8-DG	900	100	100	53	42	23	M12	+3/-3	Du	15	19	10	0.9	18	From -16 to 90	Dark Grey/Green	Applications: Tool Room Machines, Plastic Injection Moulding Machines, Pressure Die Casting Machines, Shaper, Printing and Textile Machines etc.
DB1-u-FG-M16x1.75x150-S-Z-8-DG	1100	115	115	59	50	24	M16	+4/-4	Du	15	19	10	0.9	18	From -16 to 90	Dark Grey/Green	
DB2-u-FG-M18x2.5x150-S-Z-8-DG	1800	150	150	65	60	23	M18	+5/-5	Du	15	22	12	0.9	18	From -16 to 90	Dark Grey/Green	
DB3-u-FG-M20x2.5x150-S-Z-8-DG	3200	200	200	65	75	27	M20	+6/-6	Du	15	22	12	0.9	18	From -16 to 90	Dark Grey/Green	
DB4-u-FG-M20x2.5x200-S-Z-8-DG	4000	200	250	85	95	27	M20	+9/-9	Du	15	27	14	0.9	18	From -16 to 90	Dark Grey/Green	
DB5-u-FG-M24x3.0x200-S-Z-8-DG	6400	250	320	90	125	55	M24	+9/-9	Du	15	32	18	0.9	18	From -16 to 90	Dark Grey/Green	
DB6-u-FG-M24x3.0x200-S-Z-8-DG	9600	300	400	90	148	50	M24	+10/-10	Du	15	32	18	0.9	18	From -16 to 90	Dark Grey/Green	
DB7-u-FG-M24x3.0x200-S-Z-8-DG	16000	400	500	95	200	70	M24	+10/-10	Du	15	39	22	0.9	18	From -16 to 90	Dark Grey/Green	
DB0-u-10-FG-M12x1.75x150-S-Z-8-DG	900	100	100	48	42	23	M12	+3/-3	Du-10	10	19	10	0.9	25	From -16 to 90	Dark Grey/Green	Applications: Tool Room Machines, Plastic Injection Moulding Machines, Pressure Die Casting Machines, Shaper, Printing and Textile Machines etc.
DB1-u-10-FG-M16x1.75x150-S-Z-8-DG	1100	115	115	54	50	24	M16	+4/-4	Du-10	10	19	10	0.9	25	From -16 to 90	Dark Grey/Green	
DB2-u-10-FG-M18x2.5x150-S-Z-8-DG	1800	150	150	60	60	23	M18	+5/-5	Du-10	10	22	12	0.9	25	From -16 to 90	Dark Grey/Green	
DB3-u-10-FG-M20x2.5x150-S-Z-8-DG	3200	200	200	60	75	27	M20	+6/-6	Du-10	10	22	12	0.9	25	From -16 to 90	Dark Grey/Green	
DB4-u-10-FG-M20x2.5x200-S-Z-8-DG	4000	200	250	80	95	27	M20	+9/-9	Du-10	10	27	14	0.9	25	From -16 to 90	Dark Grey/Green	
DB5-u-10-FG-M24x3.0x200-S-Z-8-DG	6400	250	320	85	125	55	M24	+9/-9	Du-10	10	32	18	0.9	25	From -16 to 90	Dark Grey/Green	
DB6-u-10-FG-M24x3.0x200-S-Z-8-DG	9600	300	400	85	148	50	M24	+10/-10	Du-10	10	32	18	0.9	25	From -16 to 90	Dark Grey/Green	
DB7-u-10-FG-M24x3.0x200-S-Z-8-DG	16000	400	500	90	200	70	M24	+10/-10	Du-10	10	39	22	0.9	25	From -16 to 90	Dark Grey/Green	
DB0-u-12-FG-M12x1.75x150-S-Z-8-DG	900	100	100	50	42	23	M12	+3/-3	Du-12	12	19	10	0.9	20	From -16 to 90	Dark Grey/Green	Applications: Tool Room Machines, Plastic Injection Moulding Machines, Pressure Die Casting Machines, Shaper, Printing and Textile Machines etc.
DB1-u-12-FG-M16x1.75x150-S-Z-8-DG	1100	115	115	56	50	24	M16	+4/-4	Du-12	12	19	10	0.9	20	From -16 to 90	Dark Grey/Green	
DB2-u-12-FG-M18x2.5x150-S-Z-8-DG	1800	150	150	62	60	23	M18	+5/-5	Du-12	12	22	12	0.9	20	From -16 to 90	Dark Grey/Green	
DB3-u-12-FG-M20x2.5x150-S-Z-8-DG	3200	200	200	62	75	27	M20	+6/-6	Du-12	12	22	12	0.9	20	From -16 to 90	Dark Grey/Green	
DB4-u-12-FG-M20x2.5x200-S-Z-8-DG	4000	200	250	82	95	27	M20	+9/-9	Du-12	12	27	14	0.9	20	From -16 to 90	Dark Grey/Green	
DB5-u-12-FG-M24x3.0x200-S-Z-8-DG	6400	250	320	87	125	55	M24	+9/-9	Du-12	12	32	18	0.9	20	From -16 to 90	Dark Grey/Green	
DB6-u-12-FG-M24x3.0x200-S-Z-8-DG	9600	300	400	87	148	50	M24	+10/-10	Du-12	12	32	18	0.9	20	From -16 to 90	Dark Grey/Green	
DB7-u-12-FG-M24x3.0x200-S-Z-8-DG	16000	400	500	92	200	70	M24	+10/-10	Du-12	12	39	22	0.9	20	From -16 to 90	Dark Grey/Green	



DB0



DB2

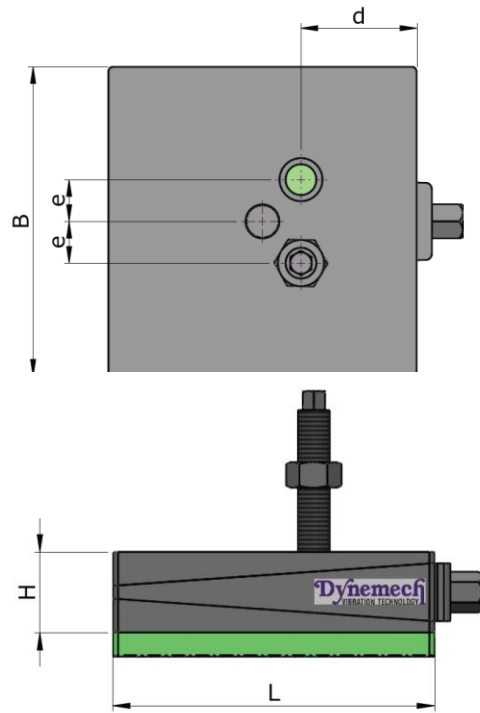


DB4



DB6

Model	Load Capacity Kg/pc	Length (L) mm	Width (B) mm	Height (H) at mean position (mm)	d (mm)	e (mm)	Bolt Size (mm)	Adjustment Range (mm)	Bottom pad Type	Bottom pad Thickness (mm)	SW1 (mm)	SW2 (mm)	Coeff. of Friction against Concrete	Natural Frequency at Max. Load (Hz)	Temperature Range (° C)	Color	Applications
DB0-m-FG-M12x1.75x150-S-Z-8-DG	1000	100	100	53	42	23	M12	+3/-3	Dm	15	19	10	0.7	30	From -16 to 90	Dark Grey/Green	Applications: Lathe Machines, Machining Centres, Milling Machines, Precision Grinding Machines, Drilling Machines, Turning Centres, Transfer Lines etc.
DB1-m-FG-M16x1.75x150-S-Z-8-DG	1400	115	115	59	50	24	M16	+4/-4	Dm	15	19	10	0.7	30	From -16 to 90	Dark Grey/Green	
DB2-m-FG-M18x2.5x150-S-Z-8-DG	2200	150	150	65	60	23	M18	+5/-5	Dm	15	22	12	0.7	30	From -16 to 90	Dark Grey/Green	
DB3-m-FG-M20x2.5x150-S-Z-8-DG	4000	200	200	65	75	27	M20	+6/-6	Dm	15	22	12	0.7	30	From -16 to 90	Dark Grey/Green	
DB4-m-FG-M20x2.5x200-S-Z-8-DG	5000	200	250	85	95	27	M20	+9/-9	Dm	15	27	14	0.7	30	From -16 to 90	Dark Grey/Green	
DB5-m-FG-M24x3.0x200-S-Z-8-DG	8000	250	320	90	125	55	M24	+9/-9	Dm	15	32	18	0.7	30	From -16 to 90	Dark Grey/Green	
DB6-m-FG-M24x3.0x200-S-Z-8-DG	12000	300	400	90	148	50	M24	+10/-10	Dm	15	32	18	0.7	30	From -16 to 90	Dark Grey/Green	
DB7-m-FG-M24x3.0x200-S-Z-8-DG	20000	400	500	95	200	70	M24	+10/-10	Dm	15	39	22	0.7	30	From -16 to 90	Dark Grey/Green	



DB0



DB2

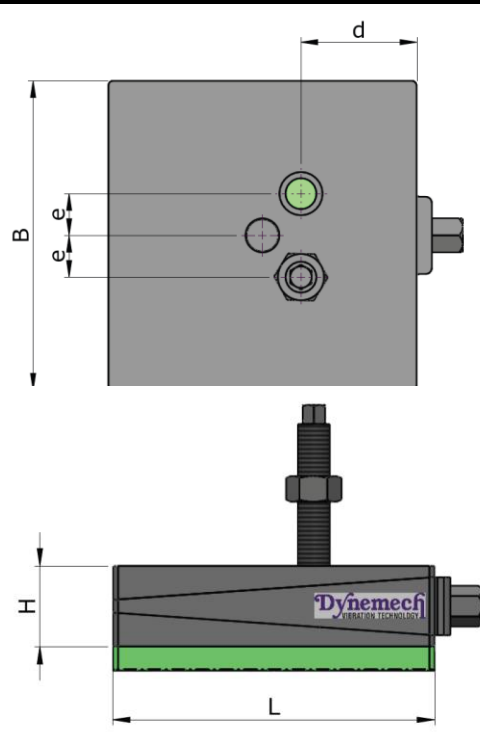


DB4



DB6

Model	Load Capacity Kg/pc	Length (L) mm	Width (B) mm	Height (H) at mean position (mm)	d (mm)	e (mm)	Bolt Size (mm)	Adjustment Range (mm)	Bottom pad Type	Bottom pad Thickness (mm)	SW1 (mm)	SW2 (mm)	Coeff. of Friction against Concrete	Natural Frequency at Max. Load (Hz)	Temperature Range (° C)	Color	Applications
DB0-i-FG-M12x1.75x150-S-Z-8-DG	1400	100	100	63	42	23	M12	+3/-3	Di	25	19	10	0.8	7	From -16 to 90	Dark Grey/Green	Applications: Power Presses, Stamping Machines, Shearing Machines, Punching Machines. For machines with high vertical impact.
DB1-i-FG-M16x1.75x150-S-Z-8-DG	1800	115	115	69	50	24	M16	+4/-4	Di	25	19	10	0.8	7	From -16 to 90	Dark Grey/Green	
DB2-i-FG-M18x2.5x150-S-Z-8-DG	2900	150	150	75	60	23	M18	+5/-5	Di	25	22	12	0.8	7	From -16 to 90	Dark Grey/Green	
DB3-i-FG-M20x2.5x150-S-Z-8-DG	5200	200	200	75	75	27	M20	+6/-6	Di	25	22	12	0.8	7	From -16 to 90	Dark Grey/Green	
DB4-i-FG-M20x2.5x200-S-Z-8-DG	6500	200	250	95	95	27	M20	+9/-9	Di	25	27	14	0.8	7	From -16 to 90	Dark Grey/Green	
DB5-i-FG-M24x3.0x200-S-Z-8-DG	10000	250	320	100	125	55	M24	+9/-9	Di	25	32	18	0.8	7	From -16 to 90	Dark Grey/Green	
DB6-i-FG-M24x3.0x200-S-Z-8-DG	15000	300	400	100	148	50	M24	+10/-10	Di	25	32	18	0.8	7	From -16 to 90	Dark Grey/Green	
DB7-i-FG-M24x3.0x200-S-Z-8-DG	26000	400	500	105	200	70	M24	+10/-10	Di	25	39	22	0.8	7	From -16 to 90	Dark Grey/Green	



DB0



DB2

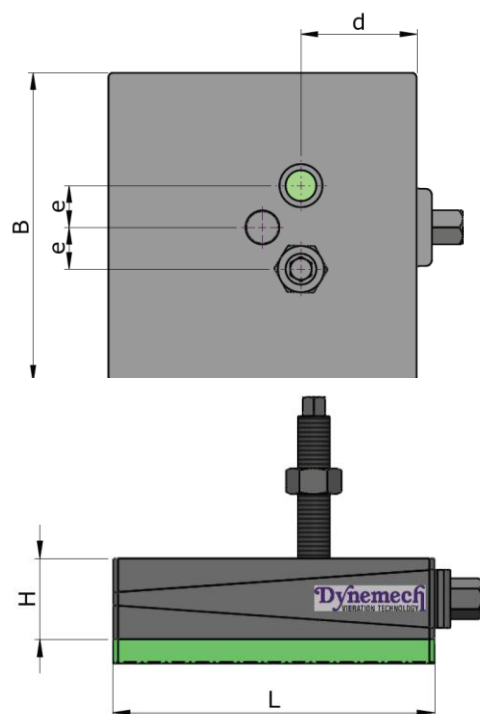


DB4



DB6

Model	Load Capacity Kg/pc	Length (L) mm	Width (B) mm	Height (H) at mean position (mm)	d (mm)	e (mm)	Bolt Size (mm)	Adjustment Range (mm)	Bottom pad Type	Bottom pad Thickness (mm)	SW1 (mm)	SW2 (mm)	Coeff. of Friction against Concrete	Natural Frequency at Max. Load (Hz)	Temperature Range (° C)	Color	Applications
DB0-p1-FG-M12x1.75x150-S-Z-8-DG	400	100	100	53	42	23	M12	+3/-3	Dp1	15	19	10	0.8	7	From -16 to 90	Dark Grey/Green	Applications: Power Presses, Stamping Machines, Shearing Machines, Punching Machines. For machines with high vertical impact.
DB1-p1-FG-M16x1.75x150-S-Z-8-DG	530	115	115	59	50	24	M16	+4/-4	Dp1	15	19	10	0.8	7	From -16 to 90	Dark Grey/Green	
DB2-p1-FG-M18x2.5x150-S-Z-8-DG	900	150	150	65	60	23	M18	+5/-5	Dp1	15	22	12	0.8	7	From -16 to 90	Dark Grey/Green	
DB3-p1-FG-M20x2.5x150-S-Z-8-DG	1600	200	200	65	75	27	M20	+6/-6	Dp1	15	22	12	0.8	7	From -16 to 90	Dark Grey/Green	
DB4-p1-FG-M20x2.5x200-S-Z-8-DG	2000	200	250	85	95	27	M20	+9/-9	Dp1	15	27	14	0.8	7	From -16 to 90	Dark Grey/Green	
DB5-p1-FG-M24x3.0x200-S-Z-8-DG	3200	250	320	90	125	55	M24	+9/-9	Dp1	15	32	18	0.8	7	From -16 to 90	Dark Grey/Green	
DB6-p1-FG-M24x3.0x200-S-Z-8-DG	4800	300	400	90	148	50	M24	+10/-10	Dp1	15	32	18	0.8	7	From -16 to 90	Dark Grey/Green	
DB7-p1-FG-M24x3.0x200-S-Z-8-DG	8000	400	500	95	200	70	M24	+10/-10	Dp1	15	39	22	0.8	7	From -16 to 90	Dark Grey/Green	
DB0-p2-FG-M12x1.75x150-S-Z-8-DG	500	100	100	58	42	23	M12	+3/-3	Dp2	20	19	10	0.8	12	From -16 to 90	Dark Grey/Green	Applications: Medium Presses, Punching Presses, Centreless Grinding Machines, Gear Shapers, High Speed Machines on upper floors.
DB1-p2-FG-M16x1.75x150-S-Z-8-DG	660	115	115	64	50	24	M16	+4/-4	Dp2	20	19	10	0.8	12	From -16 to 90	Dark Grey/Green	
DB2-p2-FG-M18x2.5x150-S-Z-8-DG	1120	150	150	70	60	23	M18	+5/-5	Dp2	20	22	12	0.8	12	From -16 to 90	Dark Grey/Green	
DB3-p2-FG-M20x2.5x150-S-Z-8-DG	2000	200	200	70	75	27	M20	+6/-6	Dp2	20	22	12	0.8	12	From -16 to 90	Dark Grey/Green	
DB4-p2-FG-M20x2.5x200-S-Z-8-DG	2500	200	250	90	95	27	M20	+9/-9	Dp2	20	27	14	0.8	12	From -16 to 90	Dark Grey/Green	
DB5-p2-FG-M24x3.0x200-S-Z-8-DG	4000	250	320	95	125	55	M24	+9/-9	Dp2	20	32	18	0.8	12	From -16 to 90	Dark Grey/Green	
DB6-p2-FG-M24x3.0x200-S-Z-8-DG	6000	300	400	95	148	50	M24	+10/-10	Dp2	20	32	18	0.8	12	From -16 to 90	Dark Grey/Green	
DB7-p2-FG-M24x3.0x200-S-Z-8-DG	10000	400	500	100	200	70	M24	+10/-10	Dp2	20	39	22	0.8	12	From -16 to 90	Dark Grey/Green	
DB0-p3-FG-M12x1.75x150-S-Z-8-DG	600	100	100	62	42	23	M12	+3/-3	Dp3	24	19	10	0.8	7	From -16 to 90	Dark Grey/Green	Applications: Tool Room Machines on suspended Floors, Light Weight Presses, Compressors etc.
DB1-p3-FG-M16x1.75x150-S-Z-8-DG	790	115	115	68	50	24	M16	+4/-4	Dp3	24	19	10	0.8	7	From -16 to 90	Dark Grey/Green	
DB2-p3-FG-M18x2.5x150-S-Z-8-DG	1350	150	150	74	60	23	M18	+5/-5	Dp3	24	22	12	0.8	7	From -16 to 90	Dark Grey/Green	
DB3-p3-FG-M20x2.5x150-S-Z-8-DG	2400	200	200	74	75	27	M20	+6/-6	Dp3	24	22	12	0.8	7	From -16 to 90	Dark Grey/Green	
DB4-p3-FG-M20x2.5x200-S-Z-8-DG	3000	200	250	94	95	27	M20	+9/-9	Dp3	24	27	14	0.8	7	From -16 to 90	Dark Grey/Green	
DB5-p3-FG-M24x3.0x200-S-Z-8-DG	4800	250	320	99	125	55	M24	+9/-9	Dp3	24	32	18	0.8	7	From -16 to 90	Dark Grey/Green	
DB6-p3-FG-M24x3.0x200-S-Z-8-DG	7200	300	400	99	148	50	M24	+10/-10	Dp3	24	32	18	0.8	7	From -16 to 90	Dark Grey/Green	
DB7-p3-FG-M24x3.0x200-S-Z-8-DG	12000	400	500	104	200	70	M24	+10/-10	Dp3	24	39	22	0.8	7	From -16 to 90	Dark Grey/Green	



DB0



DB2

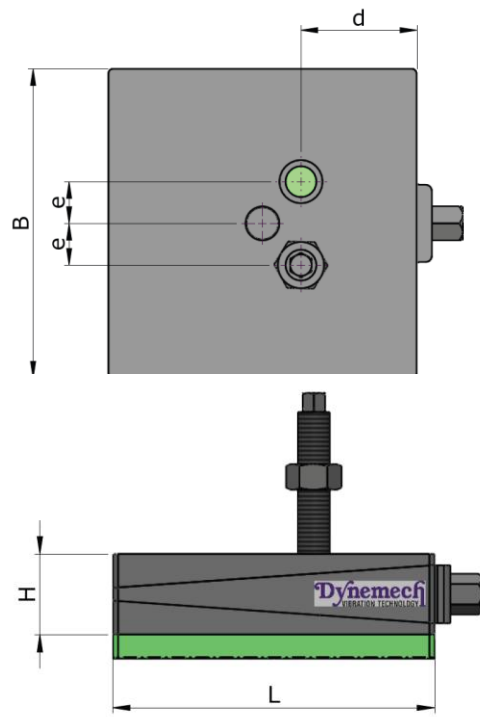


DB4



DB6

Model	Load Capacity Kg/pc	Length (L) mm	Width (B) mm	Height (H) at mean position (mm)	d (mm)	e (mm)	Bolt Size (mm)	Adjustment Range (mm)	Bottom pad Type	Bottom pad Thickness (mm)	SW1 (mm)	SW2 (mm)	Coeff. of Friction against Concrete	Natural Frequency at Max. Load (Hz)	Temperature Range (° C)	Color	Applications
DB0-s1-FG-M12x1.75x150-S-Z-8-DG	500	100	100	58	42	23	M12	+3/-3	Ds1	20	19	10	0.8	15	From -16 to 90	Dark Grey/Green	Applications: Tool Room Machines, Plastic Injection Moulding Machines, Pressure Die Casting Machines, Shaper, Printing and Textile Machines etc.
DB1-s1-FG-M16x1.75x150-S-Z-8-DG	600	115	115	64	50	24	M16	+4/-4	Ds1	20	19	10	0.8	15	From -16 to 90	Dark Grey/Green	
DB2-s1-FG-M18x2.5x150-S-Z-8-DG	1000	150	150	70	60	23	M18	+5/-5	Ds1	20	22	12	0.8	15	From -16 to 90	Dark Grey/Green	
DB3-s1-FG-M20x2.5x150-S-Z-8-DG	1800	200	200	70	75	27	M20	+6/-6	Ds1	20	22	12	0.8	15	From -16 to 90	Dark Grey/Green	
DB4-s1-FG-M20x2.5x200-S-Z-8-DG	2200	200	250	90	95	27	M20	+9/-9	Ds1	20	27	14	0.8	15	From -16 to 90	Dark Grey/Green	
DB5-s1-FG-M24x3.0x200-S-Z-8-DG	3500	250	320	95	125	55	M24	+9/-9	Ds1	20	32	18	0.8	15	From -16 to 90	Dark Grey/Green	
DB6-s1-FG-M24x3.0x200-S-Z-8-DG	5200	300	400	95	148	50	M24	+10/-10	Ds1	20	32	18	0.8	15	From -16 to 90	Dark Grey/Green	
DB7-s1-FG-M24x3.0x200-S-Z-8-DG	9500	400	500	100	200	70	M24	+10/-10	Ds1	20	39	22	0.8	15	From -16 to 90	Dark Grey/Green	
DB0-s2-FG-M12x1.75x150-S-Z-8-DG	800	100	100	63	42	23	M12	+3/-3	Ds2	25	19	10	0.8	8	From -16 to 90	Dark Grey/Green	Applications: Power Presses, Stamping Machines, Shearing Machines, Punching Machines. For machines with high vertical impact.
DB1-s2-FG-M16x1.75x150-S-Z-8-DG	950	115	115	69	50	24	M16	+4/-4	Ds2	25	19	10	0.8	8	From -16 to 90	Dark Grey/Green	
DB2-s2-FG-M18x2.5x150-S-Z-8-DG	1600	150	150	75	60	23	M18	+5/-5	Ds2	25	22	12	0.8	8	From -16 to 90	Dark Grey/Green	
DB3-s2-FG-M20x2.5x150-S-Z-8-DG	2800	200	200	75	75	27	M20	+6/-6	Ds2	25	22	12	0.8	8	From -16 to 90	Dark Grey/Green	
DB4-s2-FG-M20x2.5x200-S-Z-8-DG	3500	200	250	95	95	27	M20	+9/-9	Ds2	25	27	14	0.8	8	From -16 to 90	Dark Grey/Green	
DB5-s2-FG-M24x3.0x200-S-Z-8-DG	5500	250	320	100	125	55	M24	+9/-9	Ds2	25	32	18	0.8	8	From -16 to 90	Dark Grey/Green	
DB6-s2-FG-M24x3.0x200-S-Z-8-DG	8500	300	400	100	148	50	M24	+10/-10	Ds2	25	32	18	0.8	8	From -16 to 90	Dark Grey/Green	
DB7-s2-FG-M24x3.0x200-S-Z-8-DG	14000	400	500	105	200	70	M24	+10/-10	Ds2	25	39	22	0.8	8	From -16 to 90	Dark Grey/Green	



DB0



DB2



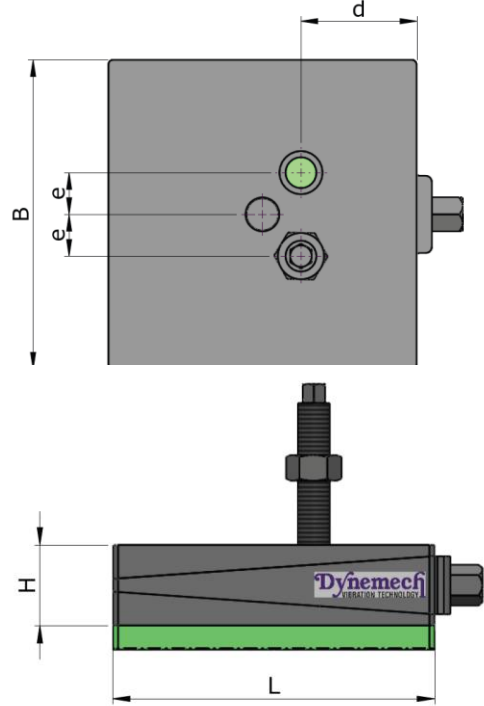
DB4



DB6

Model	Load Capacity Kg/pc	Length (L) mm	Width (B) mm	Height (H) at mean position (mm)	d (mm)	e (mm)	Bolt Size (mm)	Adjustment Range (mm)	Bottom pad Type	Bottom pad Thickness (mm)	SW1 (mm)	SW2 (mm)	Coeff. of Friction against Concrete	Natural Frequency at Max. Load (Hz)	Temperature Range (° C)	Color	Applications
DB0-hs1-FG-M12x1.75x150-S-Z-8-DG	2000	100	100	103	42	23	M12	+3/-3	Dhs1	65	19	10	0.8	6	From -16 to 90	Dark Grey/Green	Applications : Forging Hammers, Heavy Gen Sets, Heavy Industrial machines, Test Rigs, Heavy presses etc.
DB1-hs1-FG-M16x1.75x150-S-Z-8-DG	2640	115	115	109	50	24	M16	+4/-4	Dhs1	65	19	10	0.8	6	From -16 to 90	Dark Grey/Green	
DB2-hs1-FG-M18x2.5x150-S-Z-8-DG	4500	150	150	115	60	23	M18	+5/-5	Dhs1	65	22	12	0.8	6	From -16 to 90	Dark Grey/Green	
DB3-hs1-FG-M20x2.5x150-S-Z-8-DG	8000	200	200	115	75	27	M20	+6/-6	Dhs1	65	22	12	0.8	6	From -16 to 90	Dark Grey/Green	
DB4-hs1-FG-M20x2.5x200-S-Z-8-DG	10000	200	250	135	95	27	M20	+9/-9	Dhs1	65	27	14	0.8	6	From -16 to 90	Dark Grey/Green	
DB5-hs1-FG-M24x3.0x200-S-Z-8-DG	16000	250	320	140	125	55	M24	+9/-9	Dhs1	65	32	18	0.8	6	From -16 to 90	Dark Grey/Green	
DB6-hs1-FG-M24x3.0x200-S-Z-8-DG	24000	300	400	140	148	50	M24	+10/-10	Dhs1	65	32	18	0.8	6	From -16 to 90	Dark Grey/Green	
DB7-hs1-FG-M24x3.0x200-S-Z-8-DG	40000	400	500	145	200	70	M24	+10/-10	Dhs1	65	39	22	0.8	6	From -16 to 90	Dark Grey/Green	
DB0-hs2-FG-M12x1.75x150-S-Z-8-DG	800	100	100	103	42	23	M12	+3/-3	Dhs2	65	19	10	0.8	4	From -16 to 90	Dark Grey/Green	Applications : Forging Hammers, Heavy Gen Sets, Heavy Industrial machines, Test Rigs, Heavy presses, crushers etc.
DB1-hs2-FG-M16x1.75x150-S-Z-8-DG	1060	115	115	109	50	24	M16	+4/-4	Dhs2	65	19	10	0.8	4	From -16 to 90	Dark Grey/Green	
DB2-hs2-FG-M18x2.5x150-S-Z-8-DG	1800	150	150	115	60	23	M18	+5/-5	Dhs2	65	22	12	0.8	4	From -16 to 90	Dark Grey/Green	
DB3-hs2-FG-M20x2.5x150-S-Z-8-DG	3200	200	200	115	75	27	M20	+6/-6	Dhs2	65	22	12	0.8	4	From -16 to 90	Dark Grey/Green	
DB4-hs2-FG-M20x2.5x200-S-Z-8-DG	4000	200	250	135	95	27	M20	+9/-9	Dhs2	65	27	14	0.8	4	From -16 to 90	Dark Grey/Green	
DB5-hs2-FG-M24x3.0x200-S-Z-8-DG	6400	250	320	140	125	55	M24	+9/-9	Dhs2	65	32	18	0.8	4	From -16 to 90	Dark Grey/Green	
DB6-hs2-FG-M24x3.0x200-S-Z-8-DG	9600	300	400	140	148	50	M24	+10/-10	Dhs2	65	32	18	0.8	4	From -16 to 90	Dark Grey/Green	
DB7-hs2-FG-M24x3.0x200-S-Z-8-DG	16000	400	500	145	200	70	M24	+10/-10	Dhs2	65	39	22	0.8	4	From -16 to 90	Dark Grey/Green	
DB0-hs3-FG-M12x1.75x150-S-Z-8-DG	2800	100	100	88	42	23	M12	+3/-3	Dhs3	50	19	10	0.8	7	From -16 to 90	Dark Grey/Green	Applications : Forging Hammers, Heavy Gen Sets, Heavy Industrial machines, Test Rigs, Heavy presses etc.
DB1-hs3-FG-M16x1.75x150-S-Z-8-DG	3700	115	115	94	50	24	M16	+4/-4	Dhs3	50	19	10	0.8	7	From -16 to 90	Dark Grey/Green	
DB2-hs3-FG-M18x2.5x150-S-Z-8-DG	6300	150	150	100	60	23	M18	+5/-5	Dhs3	50	22	12	0.8	7	From -16 to 90	Dark Grey/Green	
DB3-hs3-FG-M20x2.5x150-S-Z-8-DG	11200	200	200	100	75	27	M20	+6/-6	Dhs3	50	22	12	0.8	7	From -16 to 90	Dark Grey/Green	
DB4-hs3-FG-M20x2.5x200-S-Z-8-DG	14000	200	250	120	95	27	M20	+9/-9	Dhs3	50	27	14	0.8	7	From -16 to 90	Dark Grey/Green	
DB5-hs3-FG-M24x3.0x200-S-Z-8-DG	22400	250	320	125	125	55	M24	+9/-9	Dhs3	50	32	18	0.8	7	From -16 to 90	Dark Grey/Green	
DB6-hs3-FG-M24x3.0x200-S-Z-8-DG	33600	300	400	125	148	50	M24	+10/-10	Dhs3	50	32	18	0.8	7	From -16 to 90	Dark Grey/Green	
DB7-hs3-FG-M24x3.0x200-S-Z-8-DG	56000	400	500	130	200	70	M24	+10/-10	Dhs3	50	39	22	0.8	7	From -16 to 90	Dark Grey/Green	
DB0-hs4-FG-M12x1.75x150-S-Z-8-DG	1200	100	100	88	42	23	M12	+3/-3	Dhs4	50	19	10	0.8	5	From -16 to 90	Dark Grey/Green	

DB1-hs4-FG-M16x1.75x150-S-Z-8-DG	1580	115	115	94	50	24	M16	+4/-4	Dhs4	50	19	10	0.8	5	From -16 to 90	Dark Grey/Green	Applications : Forging Hammers, Heavy Gen Sets, Heavy Industrial machines, Test Rigs, Heavy presses, crushers etc.
DB2-hs4-FG-M18x2.5x150-S-Z-8-DG	2700	150	150	100	60	23	M18	+5/-5	Dhs4	50	22	12	0.8	5	From -16 to 90	Dark Grey/Green	
DB3-hs4-FG-M20x2.5x150-S-Z-8-DG	4800	200	200	100	75	27	M20	+6/-6	Dhs4	50	22	12	0.8	5	From -16 to 90	Dark Grey/Green	
DB4-hs4-FG-M20x2.5x200-S-Z-8-DG	6000	200	250	120	95	27	M20	+9/-9	Dhs4	50	27	14	0.8	5	From -16 to 90	Dark Grey/Green	
DB5-hs4-FG-M24x3.0x200-S-Z-8-DG	9600	250	320	125	125	55	M24	+9/-9	Dhs4	50	32	18	0.8	5	From -16 to 90	Dark Grey/Green	
DB6-hs4-FG-M24x3.0x200-S-Z-8-DG	14400	300	400	125	148	50	M24	+10/-10	Dhs4	50	32	18	0.8	5	From -16 to 90	Dark Grey/Green	
DB7-hs4-FG-M24x3.0x200-S-Z-8-DG	24000	400	500	130	200	70	M24	+10/-10	Dhs4	50	39	22	0.8	5	From -16 to 90	Dark Grey/Green	
DB0-hs5-FG-M12x1.75x150-S-Z-8-DG	2800	100	100	118	42	23	M12	+3/-3	Dhs5	80	19	10	0.8	5	From -16 to 90	Dark Grey/Green	Applications : Forging Hammers, Heavy Gen Sets, Heavy Industrial machines, Test Rigs, Heavy presses etc.
DB1-hs5-FG-M16x1.75x150-S-Z-8-DG	3700	115	115	124	50	24	M16	+4/-4	Dhs5	80	19	10	0.8	5	From -16 to 90	Dark Grey/Green	
DB2-hs5-FG-M18x2.5x150-S-Z-8-DG	6300	150	150	130	60	23	M18	+5/-5	Dhs5	80	22	12	0.8	5	From -16 to 90	Dark Grey/Green	
DB3-hs5-FG-M20x2.5x150-S-Z-8-DG	11200	200	200	130	75	27	M20	+6/-6	Dhs5	80	22	12	0.8	5	From -16 to 90	Dark Grey/Green	
DB4-hs5-FG-M20x2.5x200-S-Z-8-DG	14000	200	250	150	95	27	M20	+9/-9	Dhs5	80	27	14	0.8	5	From -16 to 90	Dark Grey/Green	
DB5-hs5-FG-M24x3.0x200-S-Z-8-DG	22400	250	320	155	125	55	M24	+9/-9	Dhs5	80	32	18	0.8	5	From -16 to 90	Dark Grey/Green	
DB6-hs5-FG-M24x3.0x200-S-Z-8-DG	33600	300	400	155	148	50	M24	+10/-10	Dhs5	80	32	18	0.8	5	From -16 to 90	Dark Grey/Green	
DB7-hs5-FG-M24x3.0x200-S-Z-8-DG	56000	400	500	160	200	70	M24	+10/-10	Dhs5	80	39	22	0.8	5	From -16 to 90	Dark Grey/Green	



DB0



DB2

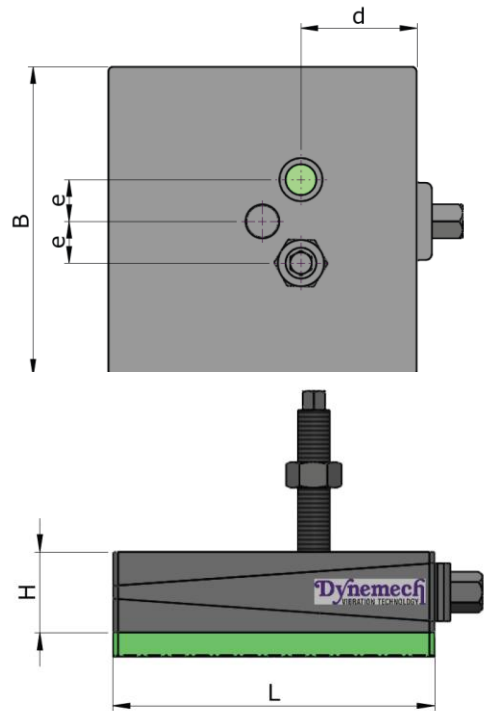


DB4



DB6

Model	Load Capacity Kg/pc	Length (L) mm	Width (B) mm	Height (H) at mean position (mm)	d (mm)	e (mm)	Bolt Size (mm)	Adjustment Range (mm)	Bottom pad Type	Bottom pad Thickness (mm)	SW1 (mm)	SW2 (mm)	Coeff. of Friction against Concrete	Natural Frequency at Max. Load (Hz)	Temperature Range (° C)	Color	Applications
DB0-h-FG-M12x1.75x150-S-Z-8-DG	3000	100	100	53	42	23	M12	+3/-3	Dh	15	19	10	0.6	45	From -16 to 90	Dark Grey/Green	Applications : Very Heavy and long bed machines, long machining centres, planners etc.
DB1-h-FG-M16x1.75x150-S-Z-8-DG	3970	115	115	59	50	24	M16	+4/-4	Dh	15	19	10	0.6	45	From -16 to 90	Dark Grey/Green	
DB2-h-FG-M18x2.5x150-S-Z-8-DG	6750	150	150	65	60	23	M18	+5/-5	Dh	15	22	12	0.6	45	From -16 to 90	Dark Grey/Green	
DB3-h-FG-M20x2.5x150-S-Z-8-DG	12000	200	200	65	75	27	M20	+6/-6	Dh	15	22	12	0.6	45	From -16 to 90	Dark Grey/Green	
DB4-h-FG-M20x2.5x200-S-Z-8-DG	15000	200	250	85	95	27	M20	+9/-9	Dh	15	27	14	0.6	45	From -16 to 90	Dark Grey/Green	
DB5-h-FG-M24x3.0x200-S-Z-8-DG	24000	250	320	90	125	55	M24	+9/-9	Dh	15	32	18	0.6	45	From -16 to 90	Dark Grey/Green	
DB6-h-FG-M24x3.0x200-S-Z-8-DG	36000	300	400	90	148	50	M24	+10/-10	Dh	15	32	18	0.6	45	From -16 to 90	Dark Grey/Green	
DB7-h-FG-M24x3.0x200-S-Z-8-DG	60000	400	500	95	200	70	M24	+10/-10	Dh	15	39	22	0.6	45	From -16 to 90	Dark Grey/Green	



DB0



DB2

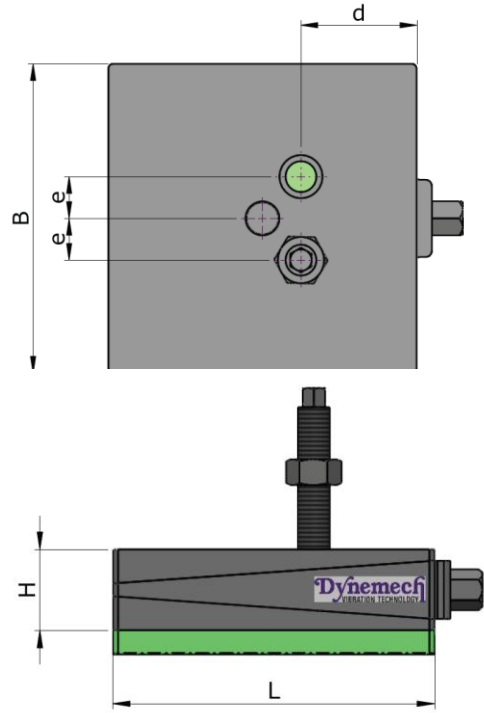


DB4



DB6

Model	Load Capacity Kg/pc	Length (L) mm	Width (B) mm	Height (H) at mean position (mm)	d (mm)	e (mm)	Bolt Size (mm)	Adjustment Range (mm)	Bottom pad Type	Bottom pad Thickness (mm)	SW1 (mm)	SW2 (mm)	Coeff. of Friction against Concrete	Natural Frequency at Max. Load (Hz)	Temperature Range (° C)	Color	Applications
DB0-a1-FG-M12x1.75x150-S-Z-8-DG	1800	100	100	40	42	23	M12	+3/-3	Da1	2	19	10	0.8	70	From -16 to 90	Dark Grey/Green	
DB1-a1-FG-M16x1.75x150-S-Z-8-DG	2300	115	115	46	50	24	M16	+4/-4	Da1	2	19	10	0.8	70	From -16 to 90	Dark Grey/Green	
DB2-a1-FG-M18x2.5x150-S-Z-8-DG	4000	150	150	52	60	23	M18	+5/-5	Da1	2	22	12	0.8	70	From -16 to 90	Dark Grey/Green	
DB3-a1-FG-M20x2.5x150-S-Z-8-DG	7200	200	200	52	75	27	M20	+6/-6	Da1	2	22	12	0.8	70	From -16 to 90	Dark Grey/Green	
DB4-a1-FG-M20x2.5x200-S-Z-8-DG	9000	200	250	72	95	27	M20	+9/-9	Da1	2	27	14	0.8	70	From -16 to 90	Dark Grey/Green	
DB5-a1-FG-M24x3.0x200-S-Z-8-DG	14400	250	320	77	125	55	M24	+9/-9	Da1	2	32	18	0.8	70	From -16 to 90	Dark Grey/Green	
DB6-a1-FG-M24x3.0x200-S-Z-8-DG	21600	300	400	77	148	50	M24	+10/-10	Da1	2	32	18	0.8	70	From -16 to 90	Dark Grey/Green	
DB7-a1-FG-M24x3.0x200-S-Z-8-DG	36000	400	500	82	200	70	M24	+10/-10	Da1	2	39	22	0.8	70	From -16 to 90	Dark Grey/Green	



DB0



DB2

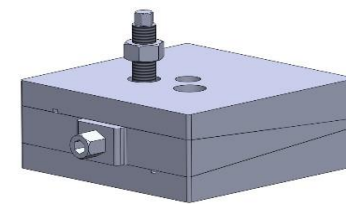
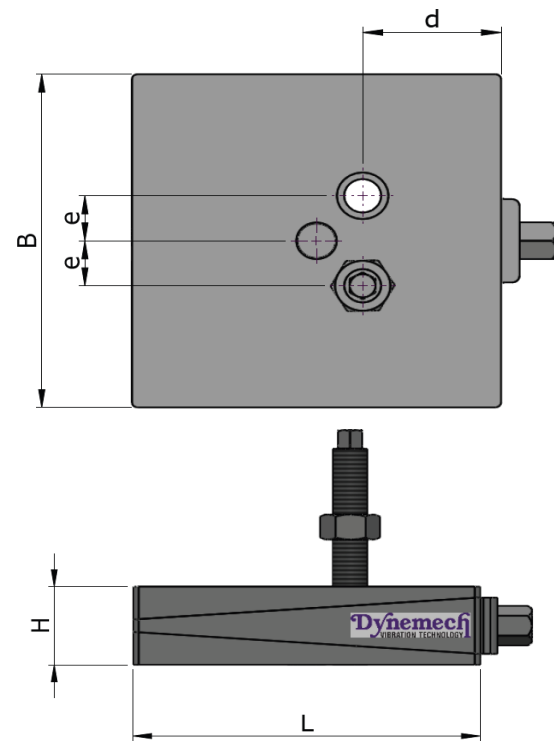


DB4

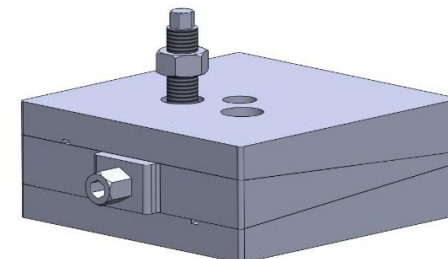


DB6

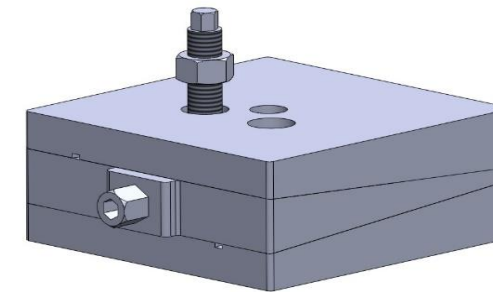
Model	Load Capacity Kg/pc	Length (L) mm	Width (B) mm	Height (H) at mean position (mm)	d (mm)	e (mm)	Bolt Size (mm)	Adjustment Range (mm)	Bottom pad Type	Bottom pad Thickness (mm)	SW1 (mm)	SW2 (mm)	Coeff. of Friction against Concrete	Natural Frequency at Max. Load (Hz)	Temperature Range (° C)	Color	Applications
DB0-a2-FG-M12x1.75x150-S-Z-8-DG	1000	100	100	46	42	23	M12	+3/-3	Da2	8	19	10	0.9	45	From -16 to 90	Dark Grey/Green	
DB1-a2-FG-M16x1.75x150-S-Z-8-DG	1300	115	115	52	50	24	M16	+4/-4	Da2	8	19	10	0.9	45	From -16 to 90	Dark Grey/Green	
DB2-a2-FG-M18x2.5x150-S-Z-8-DG	2250	150	150	58	60	23	M18	+5/-5	Da2	8	22	12	0.9	45	From -16 to 90	Dark Grey/Green	
DB3-a2-FG-M20x2.5x150-S-Z-8-DG	4000	200	200	58	75	27	M20	+6/-6	Da2	8	22	12	0.9	45	From -16 to 90	Dark Grey/Green	
DB4-a2-FG-M20x2.5x200-S-Z-8-DG	5000	200	250	78	95	27	M20	+9/-9	Da2	8	27	14	0.9	45	From -16 to 90	Dark Grey/Green	
DB5-a2-FG-M24x3.0x200-S-Z-8-DG	8000	250	320	83	125	55	M24	+9/-9	Da2	8	32	18	0.9	45	From -16 to 90	Dark Grey/Green	
DB6-a2-FG-M24x3.0x200-S-Z-8-DG	12000	300	400	83	148	50	M24	+10/-10	Da2	8	32	18	0.9	45	From -16 to 90	Dark Grey/Green	
DB7-a2-FG-M24x3.0x200-S-Z-8-DG	20000	400	500	88	200	70	M24	+10/-10	Da2	8	39	22	0.9	45	From -16 to 90	Dark Grey/Green	



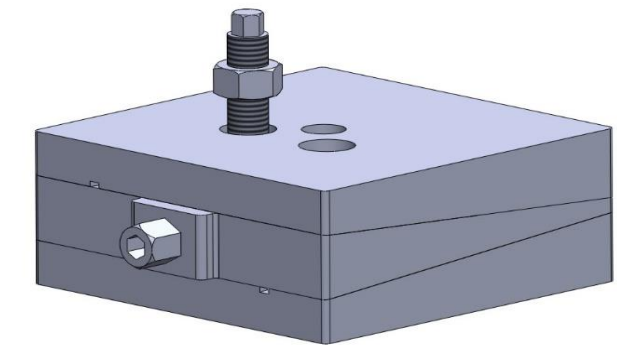
DB0



DB2



DB4



DB6

Model	Load Capacity Kg/pc	Length (L) mm	Width (B) mm	Height (H) at mean position (mm)	d (mm)	e (mm)	Bolt Size (mm)	Adjustment Range (mm)	Bottom pad Type	Bottom pad Thickness (mm)	SW1 (mm)	SW2 (mm)	Coeff. of Friction against Concrete	Natural Frequency at Max. Load (Hz)	Temperature Range (° C)	Color	Applications
DB0-FG-M12x1.75x150-S-Z-8-DG	2600	100	100	38	42	23	M12	+3/-3	X	X	19	10	X	X	From -16 to 90	Dark Grey/Green	Applications : For levelling of all Precicion Machines.
DB1-FG-M16x1.75x150-S-Z-8-DG	3600	115	115	44	50	24	M16	+4/-4	X	X	19	10	X	X	From -16 to 90	Dark Grey/Green	
DB2-FG-M18x2.5x150-S-Z-8-DG	5800	150	150	50	60	23	M18	+5/-5	X	X	22	12	X	X	From -16 to 90	Dark Grey/Green	
DB3-FG-M20x2.5x150-S-Z-8-DG	10400	200	200	50	75	27	M20	+6/-6	X	X	22	12	X	X	From -16 to 90	Dark Grey/Green	
DB4-FG-M20x2.5x200-S-Z-8-DG	13000	200	250	70	95	27	M20	+9/-9	X	X	27	14	X	X	From -16 to 90	Dark Grey/Green	
DB5-FG-M24x3.0x200-S-Z-8-DG	20000	250	320	75	125	55	M24	+9/-9	X	X	32	18	X	X	From -16 to 90	Dark Grey/Green	
DB6-FG-M24x3.0x200-S-Z-8-DG	30000	300	400	75	148	50	M24	+10/-10	X	X	32	18	X	X	From -16 to 90	Dark Grey/Green	
DB7-FG-M24x3.0x200-S-Z-8-DG	52000	400	500	80	160	70	M24	+10/-10	X	X	39	22	X	X	From -16 to 90	Dark Grey/Green	