



Dynemech

VIBRATION TECHNOLOGY

- ★ No Foundation Required
- ★ No Grouting Required
- ★ Fast and Easy Installation
- ★ Precision Leveling and Alignment
- ★ High Vibration Isolation

Modern Precision Machinery Mounting Systems



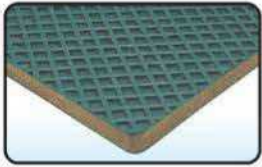
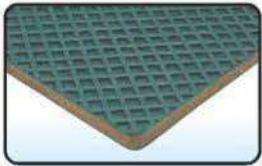
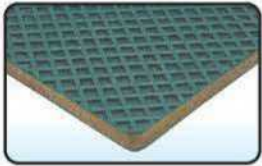

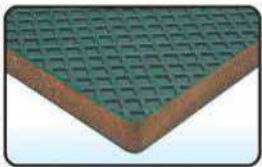
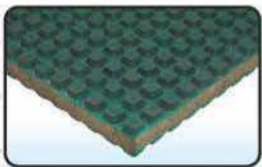
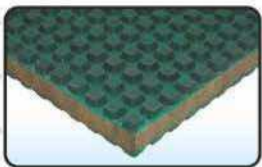
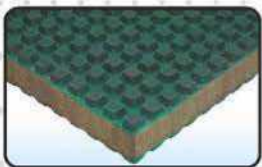

www.vibrationmountsindia.com
www.vibrationdampingpads.com

INSULATION PLATES  Page No. 1-2	WEDGE MOUNTS Series DF/DFP  Page No. 3	WEDGE MOUNTS Series DB/DBP  Page No. 4	WEDGE MOUNTS Series DT/DTP  Page No. 5
WEDGE MOUNTS Series TSOH/TSPOH  Page No. 6	SCREW SUPPORT MOUNTS Series DLC  Page No. 7	SCREW SUPPORT MOUNTS Series DL  Page No. 7	SCREW SUPPORT MOUNTS Series DLM/DLMS  Page No. 8
SCREW SUPPORT MOUNTS Series DLT  Page No. 8	SCREW SUPPORT MOUNTS Series DLK/DLK-4  Page No. 9	SCREW SUPPORT MOUNTS Series DLKR  Page No. 10	MACHINE BASE MOUNTS Series SL  Page No. 10
JACKUP MOUNTS Series DJM  Page No. 11	LEVEL GRIP MOUNTS Series DRM  Page No. 11	MACHINERY RAISER DAMPING BLOCKS Series DRC  Page No. 12	MACHINERY RAISER DAMPING BLOCKS Series DR  Page No. 12
MACHINERY RAISER DAMPING BLOCKS Series DRS  Page No. 12	COMPAC MACHINERY MOUNTS Series DH  Page No. 13	TEXTL FOOT MOUNTS Series DTXL  Page No. 13	STUD MOUNTS Series DS  Page No. 14
MAC LEVEL MOUNTS Series DML  Page No. 15	HORIZONTAL STOP MOUNTS Series DHS  Page No. 15	Vibration Measurement and Analysis  Page No. 15	FLEXIFOOT MOUNTS Series DGF  Page No. 16
SANDWICH MOUNTS Series DMS  Page No. 17	SANDWICH MOUNTS Series DSM  Page No. 17	PRECISION LEVELLING MOUNTS Series VHS  Page No. 18	PRECISION LEVELLING MOUNTS Series VHS-LA  Page No. 18
HIGH PRECISION LEVELLING & ALIGNMENT MOUNTS Series DFL  Page No. 19	RUBBER AIR SPRINGS Series DRAS  Page No. 20	RUBBER AIR SPRINGS Series DLPM  Page No. 20	MEMBRANE AIR SPRING Series DMAS SH/SL  Page No. 21
MEMBRANE AIR SPRING Series DMAS BH/BL  Page No. 21	FOUNDATION ISOLATION  Page No. 22	SHOCK MOUNT Series DXO SP1  Page No. 23	CRADLE PLATFORM  Page No. 24
ANTI VIBRATION TABLE Series DIT-E  Page No. 25	ANTI VIBRATION TABLE Series DIT-AM  Page No. 25	ANTI VIBRATION TABLE Series DIT AM-HC  Page No. 26	ANTI VIBRATION TABLE Series DIT-AHL  Page No. 26
ANTI VIBRATION PLATFORM Series VIP-E  Page No. 27	ANTI VIBRATION PLATFORM Series VIP-AM  Page No. 27	ANTI VIBRATION PLATFORM Other Variations  Page No. 28	ANTI VIBRATION TABLE Other Variations  Page No. 28
SPRING ISOLATORS  Page No. 29-33	RUBBER BUSH Series RB  Page No. 34	SHOCK MOUNTS Series DXO  Page No. 35	K&S Advanced Systems Ltd. Israel  Page No. 36


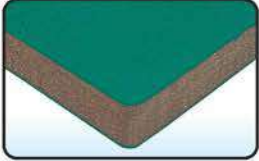


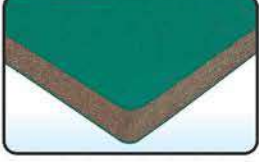
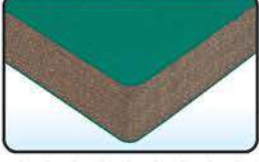
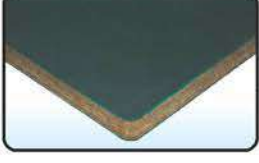

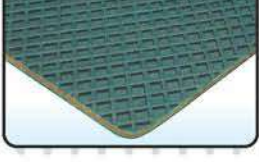
DYNEMECH INSULATION PLATES

Dynemech
VIBRATION TECHNOLOGY

Dynemech Insulation Plates are made from the compound of Nitrile Rubber, Cork, Synthetic Fibre which at varying compositions gives different natural frequencies for providing vibration damping solution to almost every machine tool.

	TYPE	LOAD Kg./Sq.cm.	THKS. mm.	APPLICATIONS
	Du	3 - 9	15	Tool Room Machines, Plastic Injection Moulding Machines, Pressure Die Casting Machines, Printing and Textile Machines (For Machines having high axial forces.) Coefficient of friction 0.9, Natural Frequency range 35 Hz-18 Hz.
	Du-10	3 - 9	10	Tool Room Machines, Plastic Injection Moulding Machines, Pressure Die Casting Machines, Printing and Textile Machines (For Machines having high axial forces.) Coefficient of friction 0.9, Natural Frequency range 35 Hz-18 Hz.
	Du-12	3 - 9	12	Tool Room Machines, Plastic Injection Moulding Machines, Pressure Die Casting Machines, Printing and Textile Machines (For Machines having high axial forces.) Coefficient of friction 0.9, Natural Frequency range 35 Hz-18 Hz.
	Dm	5 - 10	15	Lathe Machines, Milling Machines, Grinding Machines, Machining Centres, Turning Centres etc. Coefficient of friction 0.7, Natural Frequency range 50 Hz-30 Hz.
	Di	5 - 14	25	For machines with high vertical dynamic forces such as Power Presses, Punching Machines, Stamping Machines, Shearing Machines etc. Coefficient of friction 0.8, Natural Frequency range 25 Hz-7 Hz.
	Dp1	1 - 4	15	Tuned to low natural frequency, suitable for passive vibration control of Measuring & Testing Machines, Grinders etc. Coefficient of friction 0.8, Natural Frequency range 20 Hz-7 Hz.
	Dp2	1 - 5	20	Suitable for passive vibration control of measuring & testing machines maintains machines stability along with vibration reduction. Coefficient of friction 0.8, Natural Frequency range 30 Hz-12 Hz.
	Dp3	2 - 6	24	Tuned to low natural frequency, suitable for both active & passive vibration isolation of metrology and production machines. Coefficient of friction 0.8, Natural Frequency range 15 Hz - 7 Hz.
	Ds1	2 - 5	20	Light Weight Presses, Tool Room Machines, Compressors etc. on Ground Floor as well as upper Floors. Coefficient of friction 0.8, Natural Frequency range 35 Hz-15 Hz.

Dynemech Insulation Plates are made from the compound of Nitrile Rubber, Cork, Synthetic Fibre which at varying compositions gives different natural frequencies for providing vibration damping solution to almost every machine tool.

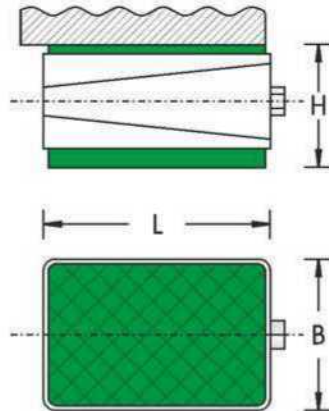
	TYPE	LOAD Kg./Sq.cm.	THKS. mm.	APPLICATIONS
	Ds2	2 - 8	25	High Vibration Insulation for both active and passive range, Medium Presses, Stamping Machines, also well suited for high speed rotating machines on upper floors. Coefficient of friction 0.8, Natural Frequency range 35 Hz-8 Hz.
	Dhs1	5 - 20	65	Forging Hammers, Heavy Gen Sets, Heavy Industrial Machines, Test Rigs, Heavy Presses etc. Coefficient of friction 0.8, Natural Frequency range 12Hz - 6Hz.
	Dhs2	2 - 8	65	Forging Hammers, Heavy Gen Sets, Heavy Industrial Machines, Test Rigs, Heavy Presses, Crushers etc. Coefficient of friction 0.8, Natural Frequency range 8Hz - 4Hz.
	Dhs3	4 - 28	50	Forging Hammers, Heavy Gen Sets, Heavy Industrial Machines, Test Rigs, Heavy Presses etc. Coefficient of friction 0.8, Natural Frequency range 15Hz - 7Hz.
	Dhs4	3 - 12	50	Forging Hammers, Heavy Gen Sets, Heavy Industrial Machines, Test Rigs, Heavy Presses, Crushers etc. Coefficient of friction 0.8, Natural Frequency range 8Hz - 5Hz.
	Dhs5	4 - 28	80	Forging Hammers, Heavy Gen Sets, Heavy Industrial Machines, Test Rigs, Heavy Presses etc. Coefficient of friction 0.8, Natural Frequency range 12Hz - 5Hz.
	Dh	10 - 35	15	Very Heavy and Long Bed Machines, Long Machining centres, Planners etc. Coefficient of friction 0.6, Natural Frequency range 70Hz - 45Hz.
	Da1	2 - 18	2	Anti-Skid Plate
	Da2	2 - 10	8	Anti-Skid Plate

WEDGE MOUNTS Series DF and DFP

Dynemech
VIBRATION TECHNOLOGY



Series DF



Series DFP

Dynemech Wedge Mounts, Series DF are designed for industrial machine tools that require precision levelling assembled with respective Dynemech Insulation Plates.

Dynemech Wedge Mounts, Series DFP have a height of 100/150mm at mean position to help proper cleaning and repairing under the machines, with specs similar to series DF.

Model	Load (Kg/pc)	Length L (mm)	Width B (mm)	Height (H) at mean position (mm)	Adjustment range (mm)	APPLICATIONS
DF1-u	400	105	55	60	8	Top anti skid plate Da2 & bottom insulation plate Du. Applications : Tool Room Machines, Plastic Injection Moulding Machines, Pressure Die Casting Machines, Shaper, Printing and Textile Machines etc.
DF2-u	900	150	75	63	10	
DF3-u	1500	200	100	70	10	
DF4-u	3200	200	200	73	12	
DF5-u	4000	200	250	93	18	
DF6-u	6400	250	320	98	18	
DF7-u	9600	300	400	98	20	
DF8-u	16000	400	500	103	20	
DF1-m	500	105	55	54	8	Top anti skid plate Da1 & bottom insulation plate Dm. Applications : Lathe Machines, Machining Centres, Milling Machines, Precision Grinding Machines, Drilling Machines, Turning Centres, Transfer Lines etc.
DF2-m	1200	150	75	57	10	
DF3-m	2000	200	100	64	10	
DF4-m	4000	200	200	67	12	
DF5-m	5000	200	250	87	18	
DF6-m	8000	250	320	92	18	
DF7-m	12000	300	400	92	20	
DF8-m	20000	400	500	97	20	
DF1-i	600	105	55	70	8	Top anti skid plate Da2 & bottom insulation plate Di. Applications : Power Presses, Stamping Machines, Shearing Machines, Punching Machines. For machines with high vertical impact.
DF2-i	1500	150	75	73	10	
DF3-i	2500	200	100	80	10	
DF4-i	5200	200	200	83	12	
DF5-i	6500	200	250	103	18	
DF6-i	10000	250	320	108	18	
DF7-i	15000	300	400	108	20	
DF8-i	26000	400	500	113	20	
DF1-p2	180	105	55	59	8	Top anti skid plate Da1 & bottom insulation plate Dp2. Applications : Measuring & Testing Machines, Surface Plates, Hardness Testers, Microscopes, EDM Machines, Profile Projectors etc.
DF2-p2	400	150	75	62	10	
DF3-p2	725	200	100	69	10	
DF4-p2	1450	200	200	72	12	
DF5-p2	1800	200	250	92	18	
DF6-p2	2900	250	320	97	18	
DF7-p2	4400	300	400	97	20	
DF8-p2	7500	400	500	102	20	

Series DFH

DFHs are sturdy in construction, useful for installing very heavy or long bedded machines.



Series DFPH

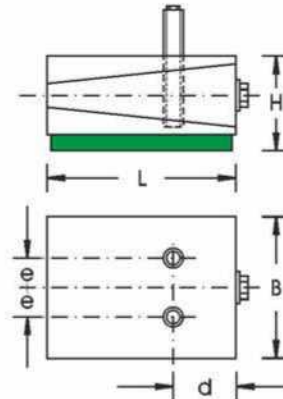
DFPHs are sturdy in construction, with a height of 150mm to meet TPM guidelines & installing very heavy or long bedded machines at a height.



Series DFSP

Spherical Positioners on Free standing Wedge, Series DF, transmit the load of the machine to the ground despite angle difference between machine base & foundation.





Series DB

Series DBP

Dynemecf Wedge Mounts Series DB are designed for industrial machine tools that require precision levelling, vibration reduction and/or need to be firmly mounted with the isolator.

Dynemecf Wedge Mounts Series DBP have a height of 100/150mm at mean position to help proper cleaning and repairing under the machines, with specs similar to series DB.

Model	Load (Kg/pc)	Length L (mm)	Width B (mm)	Height (H) at mean position (mm)	d (mm)	e (mm)	Bolt size (mm)	Adjustment range (mm)	APPLICATIONS
DB0-u	900	100	100	53	42	23	M12	6	Applications : Tool Room Machines, Plastic Injection Moulding Machines, Pressure Die Casting Machines, Shaper, Printing and Textile Machines etc.
DB1-u	1100	115	115	59	50	24	M16	8	
DB2-u	1800	150	150	65	60	23	M18	10	
DB3-u	3200	200	200	65	75	27	M20	12	
DB4-u	4000	200	250	85	95	27	M20	18	
DB5-u	6400	250	320	90	125	55	M24	18	
DB6-u	9600	300	400	90	148	50	M24	20	
DB7-u	16000	400	500	95	200	70	M24	20	
DB0-i	1400	100	100	63	42	23	M12	6	Applications : Power Presses, Stamping Machines, Shearing Machines, Punching Machines. For machines with high vertical impact.
DB1-i	1800	115	115	69	50	24	M16	8	
DB2-i	2900	150	150	75	60	23	M18	10	
DB3-i	5200	200	200	75	75	27	M20	12	
DB4-i	6500	200	250	95	95	27	M20	18	
DB5-i	10000	250	320	100	125	55	M24	18	
DB6-i	15000	300	400	100	148	50	M24	20	
DB7-i	26000	400	500	105	200	70	M24	20	
DB0-s2	800	100	100	63	42	23	M12	6	Applications : Medium Presses, Punching Presses, Centreless Grinding Machines, Gear Shapers, High Speed Machines on upper floors.
DB1-s2	950	115	115	69	50	24	M16	8	
DB2-s2	1600	150	150	75	60	23	M18	10	
DB3-s2	2800	200	200	75	75	27	M20	12	
DB4-s2	3500	200	250	95	95	27	M20	18	
DB5-s2	5500	250	320	100	125	55	M24	18	
DB6-s2	8500	300	400	100	148	50	M24	20	
DB7-s2	14000	400	500	105	200	70	M24	20	
DB0-s1	500	100	100	58	42	23	M12	6	Applications : Tool Room Machines on suspended Floors, Light Weight Presses, Compressors etc.
DB1-s1	600	115	115	64	50	24	M16	8	
DB2-s1	1000	150	150	70	60	23	M18	10	
DB3-s1	1800	200	200	70	75	27	M20	12	
DB4-s1	2200	200	250	90	95	27	M20	18	
DB5-s1	3500	250	320	95	125	55	M24	18	
DB6-s1	5200	300	400	95	148	50	M24	20	
DB7-s1	9500	400	500	100	200	70	M24	20	

Series DBH



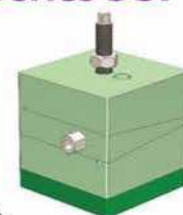
Series DBPH



Series DBO



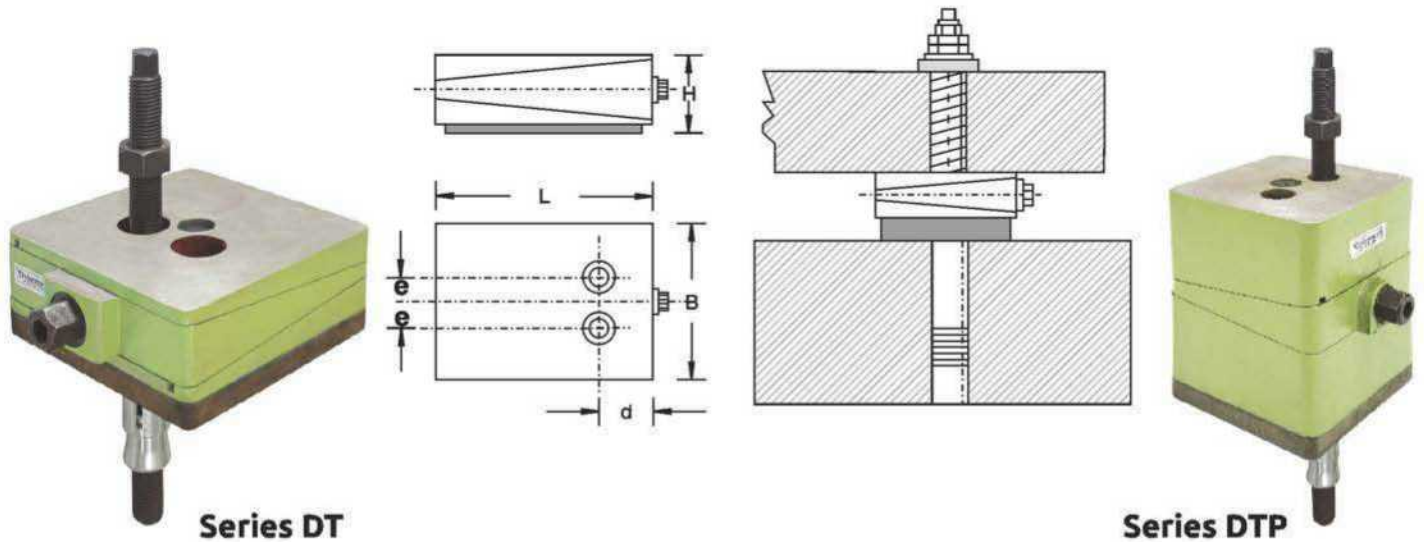
Series DBPO



Series DBSP



WEDGE MOUNTS Series DT (Bolt Thru) & DTP



Series DT

Series DTP

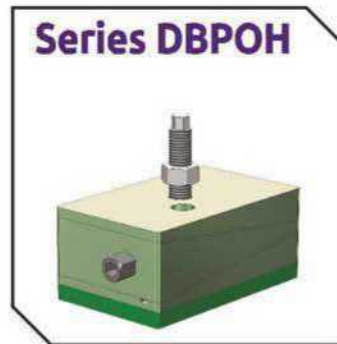
Dynemech Wedge Mounts, Series DT are designed for machine tools that are top heavy or have eccentric motion or for machines which must be anchored to the ground require precision levelling, vibration reduction, and/or need to be firmly mounted with the isolator.

Dynemech Wedge Mounts, Series DTP have a height of 100/150mm at mean position to help proper cleaning and repairing under the machines, with specs similar to series DT.

Model	Load (Kg/pc)	Length L (mm)	Width B (mm)	Height (H) at mean position (mm)	d (mm)	e (mm)	bore* Ø(mm)	Adjustment range (mm)
DT0-m	1000	100	100	53	42	23	18	6
DT1-m	1400	115	115	59	50	24	22	8
DT2-m	2200	150	150	65	60	23	22	10
DT3-m	4000	200	200	65	75	27	28	12
DT4-m	5000	200	250	85	95	27	28	18
DT5-m	8000	250	320	90	125	55	28	18
DT6-m	12000	300	400	90	148	50	30	20
DT7-m	20000	400	500	95	200	70	32	20
DT0-i	1400	100	100	63	42	23	18	6
DT1-i	1800	115	115	69	50	24	22	8
DT2-i	2900	150	150	75	60	23	22	10
DT3-i	5200	200	200	75	75	27	28	12
DT4-i	6500	200	250	95	95	27	28	18
DT5-i	10000	250	320	100	125	55	28	18
DT6-i	15000	300	400	100	148	50	30	20
DT7-i	26000	400	500	105	200	70	32	20
DT0-s2	800	100	100	63	42	23	18	6
DT1-s2	950	115	115	69	50	24	22	8
DT2-s2	1600	150	150	75	60	23	22	10
DT3-s2	2800	200	200	75	75	27	28	12
DT4-s2	3500	200	250	95	95	27	28	18
DT5-s2	5500	250	320	100	125	55	28	18
DT6-s2	8500	300	400	100	148	50	30	20
DT7-s2	14000	400	500	105	200	70	32	20

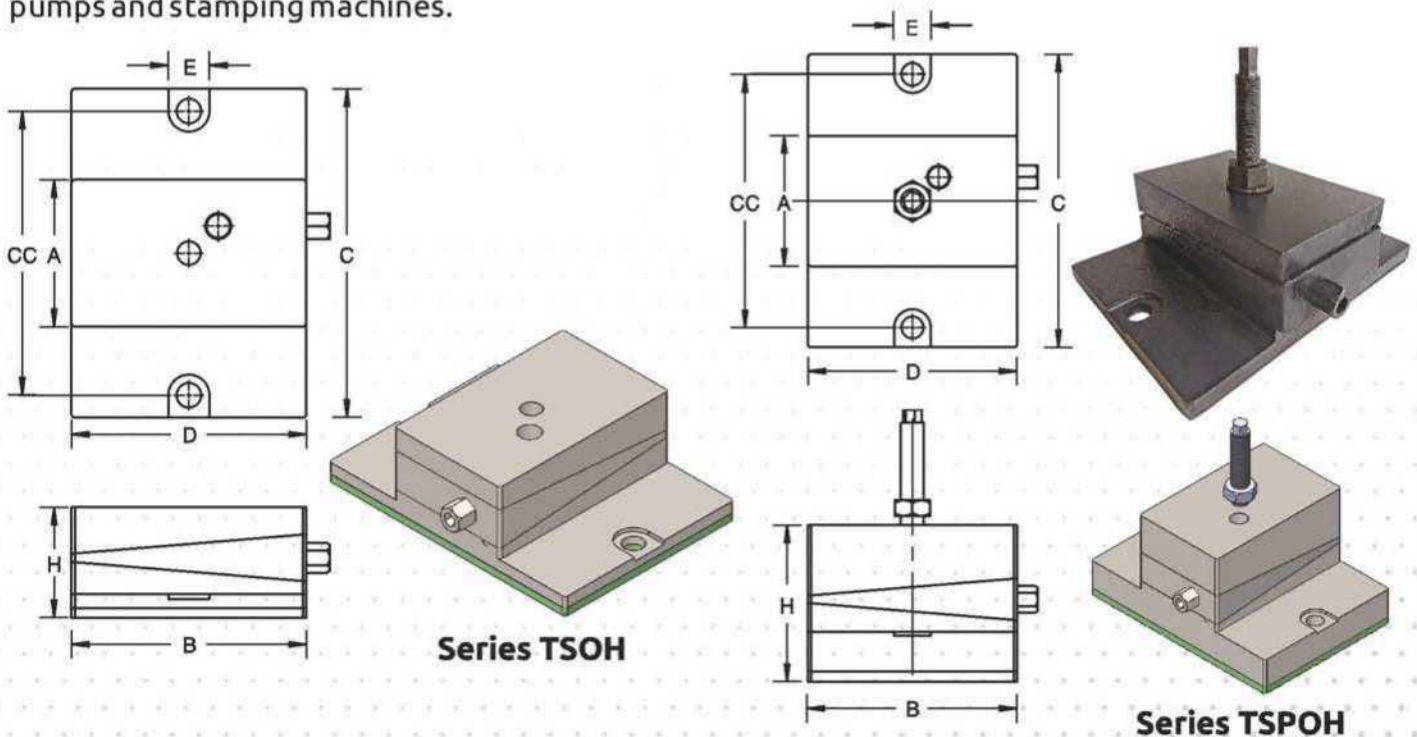
*Bolt is optional in DT Series Wedge Mounts.





TAPER SHIM LEVELLING MOUNTS Series TSOH/TSPOH

Taper Shim Levelling Mounts, Series TSOH have a flange at the bottom to provide precise levelling after fixing the structure to the ground for stiff support to the equipment. Their innovative casted taper shim plate design ensures optimal weight distribution, resulting in remarkable horizontal stability across the entire levelling range. Despite the tendency of machines to move, the floor anchor functions to increase stability rather than even for machines which produce high horizontal forces or for machines in which the center of gravity lies much above the center of the machine such as pressure die casting, injection molding machines, presses, industrial pumps and stamping machines.

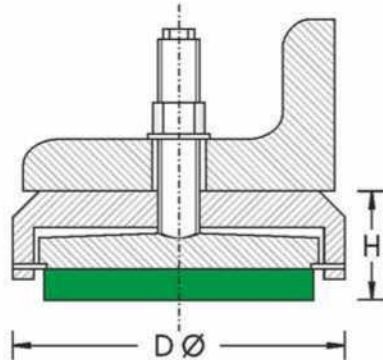


S.No.	Model	Load Capacity (Kg/pc)	Top Plate AxB (mm)	Bottom Plate CxD (mm)	Height H (mm)	Threaded Hole	cc (mm)	E (mm)	Adjustment range (mm)
1.	TSPOH1-DP-SP2-150	2000	200x125	280x200	150	M22	242	35	10
2.	TSPOH1-S2-SP2	4400	200x125	280x200	94	M22	242	35	10
3.	TSOH1-DP-SP2	2000	200x125	280x200	94	M22	242	35	10
4.	TSOH1-DP-SP1	2000	200x125	250x200	85	M18	210	32	10
5.	TSOH1-S2-SP2	4000	200x125	250x200	85	M18	210	32	10
6.	TSPOH1-DP-SP1-135	2000	250x125	250x200	135	M18	210	32	10

SCREW SUPPORT MOUNTS Series DLC



Series DLC



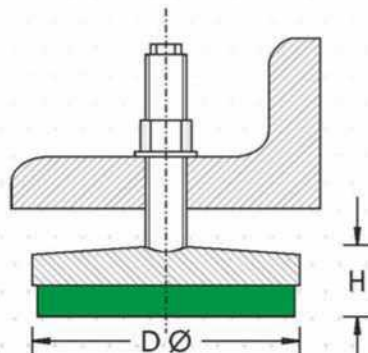
Dynemech DLC Series Mounts are simple and effective vibration dampers for machines with respective holes in the base. These mounts offer both low frequency attenuation and stable machine levelling.

Model	Load (Kg/pc)	Model	Load (Kg/pc)	Model	Load (Kg/pc)	Model	Load (Kg/pc)	Model	Load (Kg/pc)	Bolt Size	Dia D (mm)	H u/m/p1	H s2/i	Adj. (mm)
DLC1-u	150	DLC1-m	190	DLC1-p1	75	DLC1-s2	125	DLC1-i	250	M 12x100	65	30	40	6
DLC2-u	350	DLC2-m	450	DLC2-p1	175	DLC2-s2	300	DLC2-i	575	M 12x100	98	37	47	8
DLC3-u	600	DLC3-m	800	DLC3-p1	300	DLC3-s2	550	DLC3-i	1000	M 16x100	125	44	54	8
DLC4-u	900	DLC4-m	1150	DLC4-p1	500	DLC4-s2	850	DLC4-i	1600	M 16x100	150	46	56	10
DLC5-u	1400	DLC5-m	1750	DLC5-p1	700	DLC5-s2	1250	DLC5-i	2300	M 18x150	180	48	58	10
DLC6-u	1900	DLC6-m	2400	DLC6-p1	950	DLC6-s2	1700	DLC6-i	3100	M 20x150	204	52	62	12
DLC7-u	2500	DLC7-m	3200	DLC7-p1	1250	DLC7-s2	2200	DLC7-i	4000	M 20x150	235	57	67	12
DLC8-u	3500	DLC8-m	4000	DLC8-p1	1500	DLC8-s2	2800	DLC8-i	5200	M 24x200	270	72	82	18
DLC9-u	4200	DLC9-m	5000	DLC9-p1	1900	DLC9-s2	3500	DLC9-i	6500	M 24x200	302	84	94	18

SCREW SUPPORT MOUNTS Series DL/DLS



Series DL



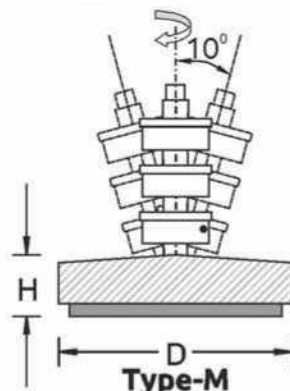
Dynemech DL Series Mounts is used for light to medium weight machines suited to levelling screw support or having tapped hole in the base.

Dynemech DLS Series Mounts, developed in stainless steel finds application in pharmaceutical, food and beverages processing and packaging units, medical equipment manufacturing and chemical processing industries. Provide vibration isolation with complete hygienic seal and corrosion resistance.

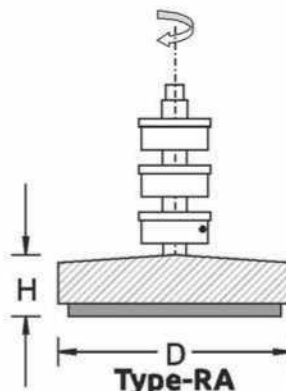
Model	Load (Kg/pc)	Model	Load (Kg/pc)	Model	Load (Kg/pc)	Model	Load (Kg/pc)	Model	Load (Kg/pc)	Dia D (mm)	H u/m/p1	H s1	H s2
DL1-u	150	DL1-m	190	DL1-p1	75	DL1-s1	80	DL1-s2	125	55	21	26	31
DL2-u	350	DL2-m	450	DL2-p1	175	DL2-s1	200	DL2-s2	300	85	28	33	38
DL3-u	600	DL3-m	800	DL3-p1	300	DL3-s1	375	DL3-s2	550	112	28	33	38
DL4-u	900	DL4-m	1150	DL4-p1	500	DL4-s1	575	DL4-s2	850	135	30	35	40
DL5-u	1400	DL5-m	1750	DL5-p1	700	DL5-s1	800	DL5-s2	1250	160	30	35	40
DL6-u	1900	DL6-m	2400	DL6-p1	950	DL6-s1	1100	DL6-s2	1700	185	34	39	44
DL7-u	2500	DL7-m	3200	DL7-p1	1250	DL7-s1	1500	DL7-s2	2200	215	35	40	45
DL8-u	3500	DL8-m	4000	DL8-p1	1500	DL8-s1	1900	DL8-s2	2800	249	44	49	54
DL9-u	4200	DL9-m	5000	DL9-p1	1900	DL9-s1	2400	DL9-s2	3500	276	43	48	53



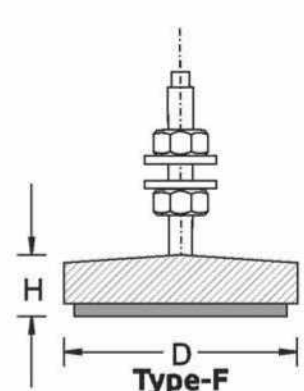
Series DLM



Type-M
One nut Fixed with bolt & two nuts free



Type-RA
One nut Fixed with bolt & two nuts free



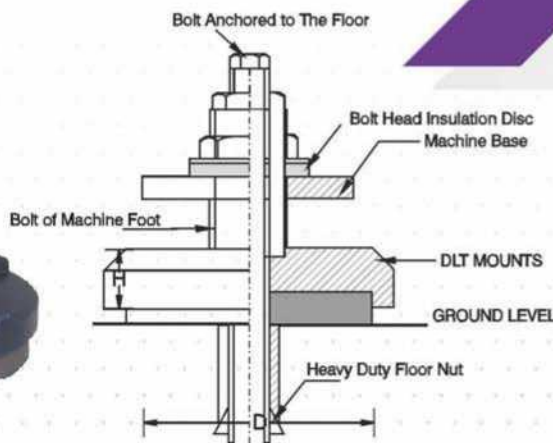
Type-F
Two Free nuts & bolt fixed

Dynemech DLM/DLMS Series Mounts, developed in steel and stainless steel respectively are simple and effective vibration dampers for machines with respective holes in the base. these mounts offer low frequency attenuation, stable machine levelling and vibration reduction. the flexible levelling screw accommodate uneven/sloped surfaces upto 5°. DLMS series find application where corrosion resistant materials for hygienic, climatic and environmental reasons are required like in pharmaceutical, food and beverages processing and packaging units, medical equipments manufacturing and chemical processing industries.

Model	Load (Kg/pc)	Model	Load (Kg/pc)	Model	Load (Kg/pc)	Model	Load (Kg/pc)	Model	Load (Kg/pc)	Dia (D) mm	H u	H a2	H p2/s1	H s2	Bolt Size
DLM1-u	150	DLM1-a2	190	DLM1-p2	100	DLM1-s2	125	DLM1-s1	110	55	21	14	26	31	M16 x 100
DLM2-u	350	DLM2-a2	450	DLM2-p2	200	DLM2-s2	300	DLM2-s1	220	85	28	17	33	38	M16 x 100
DLM3-u	600	DLM3-a2	800	DLM3-p2	400	DLM3-s2	550	DLM3-s1	380	112	28	21	33	38	M16 x 150
DLM4-u	900	DLM4-a2	1150	DLM4-p2	600	DLM4-s2	850	DLM4-s1	620	135	30	23	35	40	M16 x 150
DLM5-u	1400	DLM5-a2	1750	DLM5-p2	700	DLM5-s2	1250	DLM5-s1	950	160	30	23	35	40	M16 x 150
DLM6-u	1900	DLM6-a2	2400	DLM6-p2	1200	DLM6-s2	1700	DLM6-s1	1180	185	34	27	39	44	M16 x 150
DLM7-u	2500	DLM7-a2	3200	DLM7-p2	1500	DLM7-s2	2200	DLM7-s1	1620	215	35	28	40	45	M16 x 150
DLM8-u	3500	DLM8-a2	3975	DLM8-p2	2000	DLM8-s2	2800	DLM8-s1	2250	249	44	37	49	54	M20 x 150
DLM9-u	4200	DLM9-a2	4900	DLM9-p2	2500	DLM9-s2	3500	DLM9-s1	2620	276	43	36	48	53	M20 x 150



Series DLT



SCREW SUPPORT MOUNTS Series DLT

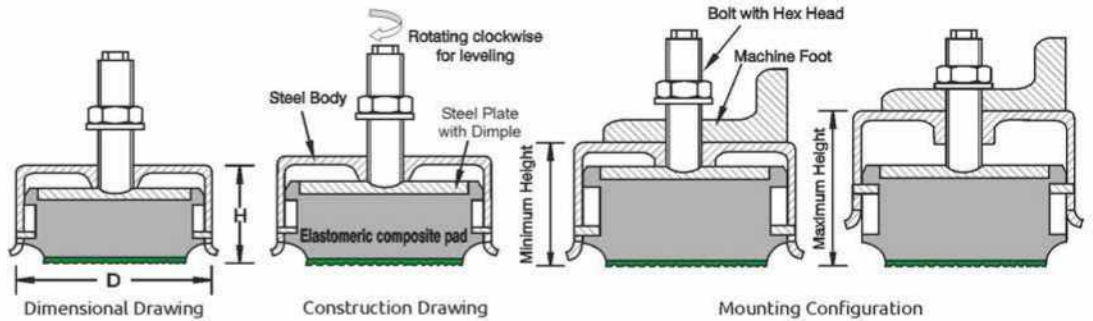
Dynemech DLT Series Mounts are used in the machines which must be anchored to the floor along with levelling and vibration reduction. Bolts with thru holes are provided in the machine foot and anchor bolt passes from the machine foot, mount and anchored in the floor nut. an insulating disc is provided between the nut and the machine foot to prevent vibration from transmitting in the floor via the bolt. the dimple and the thru hole in the mount are provided as per the bolt specifications of the machine.

Model	Load (Kg/pc)	Model	Load (Kg/pc)	Model	Load (Kg/pc)	Model	Load (Kg/pc)	Model	Load (Kg/pc)	Dia D (mm)	H u/m	H p2/s1	H s2
DLT1-u	150	DLT1-m	190	DLT1-p2	100	DLT1-s2	125	DLT1-s1	80	55	21	26	31
DLT2-u	350	DLT2-m	450	DLT2-p2	200	DLT2-s2	300	DLT2-s1	200	85	28	33	38
DLT3-u	600	DLT3-m	800	DLT3-p2	400	DLT3-s2	550	DLT3-s1	375	112	28	33	38
DLT4-u	900	DLT4-m	1150	DLT4-p2	600	DLT4-s2	850	DLT4-s1	575	135	30	35	40
DLT5-u	1400	DLT5-m	1750	DLT5-p2	700	DLT5-s2	1250	DLT5-s1	800	160	30	35	40
DLT6-u	1900	DLT6-m	2400	DLT6-p2	1200	DLT6-s2	1700	DLT6-s1	1100	185	34	39	44
DLT7-u	2500	DLT7-m	3200	DLT7-p2	1500	DLT7-s2	2200	DLT7-s1	1500	215	35	40	45
DLT8-u	3500	DLT8-m	4000	DLT8-p2	2000	DLT8-s2	2800	DLT8-s1	1900	249	44	49	54
DLT9-u	4200	DLT9-m	5000	DLT9-p2	2500	DLT9-s2	3500	DLT9-s1	2400	276	43	48	53

SCREW SUPPORT MOUNTS Series DLK



Series DLK



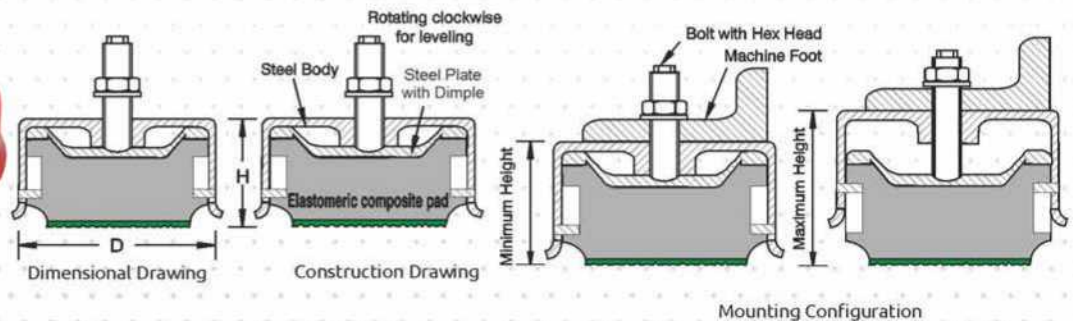
Dynemech Screw Support Mounts Series DLK are simple and effective vibration dampers for machines with respective holes in the base. These mounts offer both low frequency attenuation and stable machine levelling. The DLK Series vibration damping and levelling mounts provide fast and easy installation of machines. DLK Series anti vibration mounts have steel body and are used for machines having mounting holes in the base. This levelling mount has a cover plate and dimpled bottom plate holding the insulation plate. Levelling is done by tightening the bolt which lifts the cover plate with the machine base.

Model	Load (Kg/pc)	Bolt Size	D (mm)	H (mm)	Adj. Range (mm)	APPLICATIONS
DLK1-a	580	M12 x 100	92	50	10	Textile Machines, CNC Machines, Power Presses, Plastic Injection Moulding Machines, Pressure Die Casting Machines, Printing Machines, Compressors, Grinding Machines and All types of Heavy Industrial Applications.
DLK1-b	750	M12 x 100	92	50	10	
DLK1-c	900	M12 x 100	92	50	10	
DLK2-a	1200	M16 x 100	135	50	10	
DLK2-b	1900	M16 x 100	135	50	10	
DLK2-c	2600	M16 x 100	135	50	10	
DLK3-a	2900	M20 x 150	195	58	12	
DLK3-b	3400	M20 x 150	195	58	12	
DLK3-c	4200	M20 x 150	195	58	12	

SCREW SUPPORT MOUNTS Series DLK-4



Series DLK-4



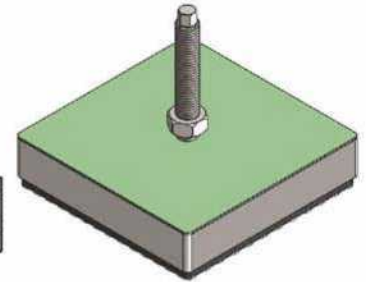
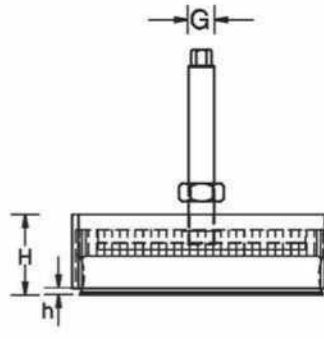
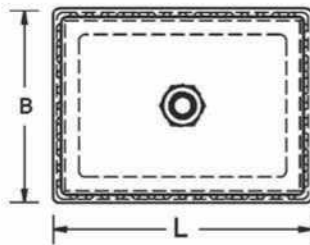
Dynemech Screw Support Mounts Series DLK-4 are suitable for heavy machine installations. They provide additional damping in shear and radial directions.

Model	Load (Kg/pc)	Bolt Size	D (mm)	H (mm)	Adj. Range (mm)	APPLICATIONS
DLK4-a	4000	M24 x 150	238	78	20	Textile Machines, CNC Machines, Power Presses, Plastic Injection Moulding Machines, Pressure Die Casting Machines, Printing and Packaging Machines, Compressors, Grinding Machines and All types of Heavy Industrial Applications.
DLK4-b	5000	M24 x 150	238	78	20	
DLK4-c	6000	M24 x 150	238	78	20	

Note : DLK-4 Series Bolt Sizes M-10, M12, M16, M20, M24, M30 possible on special request.



Series DLKR-03



Series DLKR-04

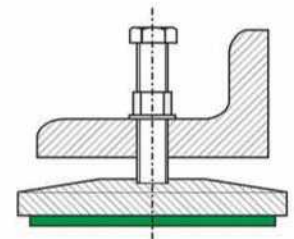
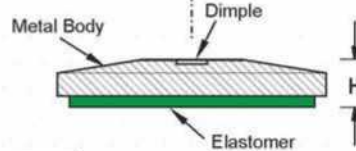
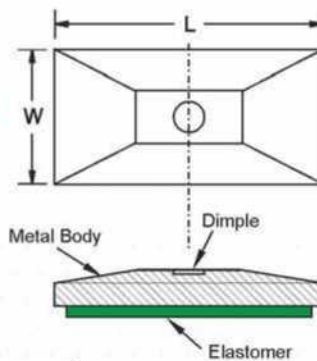
Dynemech Screw Support Mounts Series DLKR provides a large rectangular surface to support machines along with the levelling adjustment. The longer side is installed parallel to the line of operation of the horizontal force generated by the machine thus ensuring better grip and higher shock isolation.

S.No.	Model	Load Capacity (Kg/pc)	Length L (mm)	Width B (mm)	Height H (mm)	Thread Size G (mm)	h (mm)	Levelling Adjustment (mm)
1.	DLKR-03	4000	200	150	62	M20X1.5X150	5	32
2.	DLKR-04	5600	200	200	58	M20X2.5X150	20	15

MACHINE BASE MOUNTS Series SL



Series SL



Model	Max. Load (Kg/pc)	Length L (mm)	Width W (mm)	Height H (mm)
SL1-u	350	80	64	30
SL2-u	1000	75	150	29
SL3-u	1400	125	125	32
SL4-u	2000	150	150	29
SL5-u	3600	200	200	39
SL1-m	400	80	64	30
SL2-m	1100	75	150	29
SL3-m	1700	125	125	32
SL4-m	2300	150	150	29
SL5-m	4000	200	200	39
SL1-i	600	80	64	40
SL2-i	1600	75	150	39
SL3-i	2000	125	125	42
SL4-i	3200	150	150	39
SL5-i	5600	200	200	49
SL1-p1	200	80	64	30
SL2-p1	450	75	150	29
SL3-p1	600	125	125	32
SL4-p1	900	150	150	29
SL5-p1	1600	200	200	39

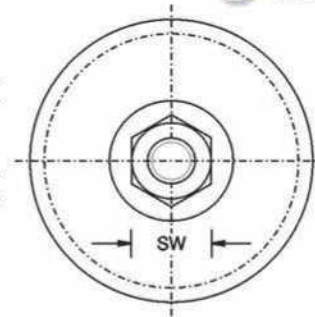
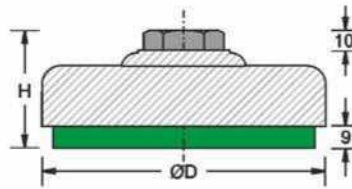
Dynemech Machine Base Mounts Series SL is used for light to medium weight machines suited to levelling screw support or having tapped hole in the base. These are suitable for placing in the pocket of the machine base.

Dynemech Machine Base Mounts Series SLS, developed in stainless steel finds application in pharmaceutical, food and beverages processing and packaging units, medical equipment manufacturing and chemical processing industries. Provide vibration isolation with complete hygienic seal and corrosion resistance.

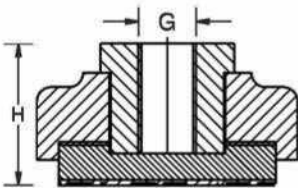
JACKUP MOUNTS Series DJM



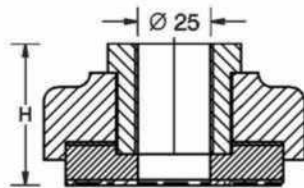
Series-DJM



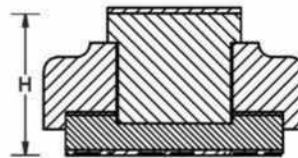
Leveling Sockets
The levelling sockets are provided for many possible types of installations as per customer requirement.



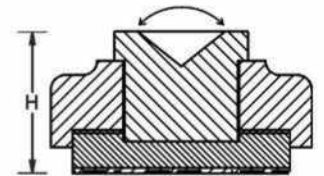
Adapter with M20x2.5 Inner Thread and M40x2 External Thread



Bolt-through
25mm diameter bore



Leveling socket
with anti-skid pad



Countersink as per customer
requirement and bolt profile

Dynemech Jackup Mounts provides isolation solutions for various machines and mounting conditions. The Dynemech Jackup Mounts also provide for high machine leveling capabilities. These Jackup mounts provide high load capacity and best level stability. The bottom design provides for non-skid properties for the Jackup Mount. The Jackup mount also provide very good passive vibration isolation.

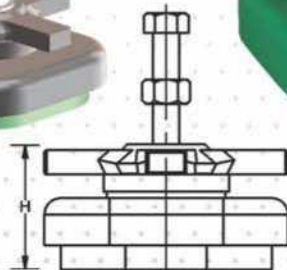
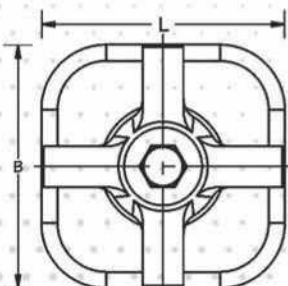
Applications : Machine Tools, Textile Machine, Graphics machines, Planners long bedded machines etc.

Model	Load (Kg/pc)	Height H (mm)	Dia D (mm)	G (mm)	HEX SW (mm)	Levelling Adjustment (mm)
DJM-0	850	49	90	M20 x 2.5 (Length 38mm)	46	18
DJM-1	1500	49	120	M20 x 2.5 (Length 38mm)	46	18
DJM-2	2500	49	160	M20 x 2.5 (Length 38mm)	62	18

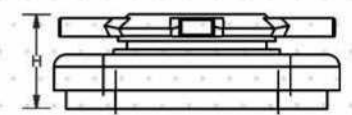
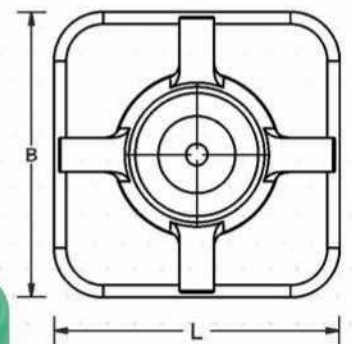
Note: Please mention type of socket required at the time of ordering.

LEVEL GRIP MOUNTS Series DRM

DRM1-150-S2



DRM1-232-S2



DRM mounts leveling is done using a large lever screw. This screw transmits static and dynamic load of the machine on a larger area and thus provides greater stability to the machine. The levelling lever requires lesser torque for lifting the machine while levelling.

S. No.	Model	Load (Kg/pc)	Length L (mm)	Width B (mm)	Height H (mm)	Levelling Adjustment (mm)
1.	DRM1-150-S2	1000	150	150	77	20
2.	DRM1-232-S2	3300	232	232	77	20

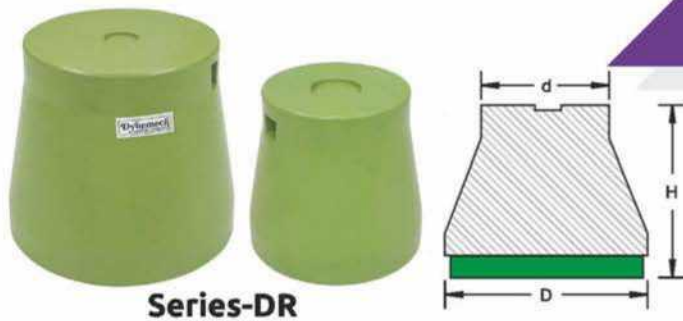
DYNEMECH MACHINERY RAISER DAMPING BLOCKS offer easy and quick installation of CNC machines. These blocks offer both levelling and vibration damping besides raising height of the machine for proper cleaning and repairing under it.



Series DRC are suitable for machines having plain hole in the base. Levelling is done by turning the bolt which lifts the cover plate along with the machine. Available both in 150 & 100 mm height.

Model	Load Kg/pc	Model	Load Kg/pc	Model	Load Kg/pc	Model	Load Kg/pc	Bolt Size	d (mm)	Dia D (mm)	H u/m/h	H s2	Adj. (mm)
DRC1-u	350	DRC1-m	450	DRC1-h	1200	DRC1-s2	300	M12x100	98	109	100/150	110/160	8
DRC2-u	600	DRC2-m	800	DRC2-h	2400	DRC2-s2	550	M16x100	125	150	100/150	110/160	8
DRC3-u	900	DRC3-m	1150	DRC3-h	3500	DRC3-s2	850	M16x100	150	170	100/150	110/160	10
DRC4-u	1400	DRC4-m	1750	DRC4-h	5200	DRC4-s2	1250	M18x150	180	210	100/150	110/160	10
DRC5-u	1900	DRC5-m	2400	DRC5-h	7200	DRC5-s2	1700	M20x150	204	240	100/150	110/160	12
DRC6-u	2500	DRC6-m	3200	DRC6-h	9600	DRC6-s2	2200	M20x150	235	270	100/150	110/160	12

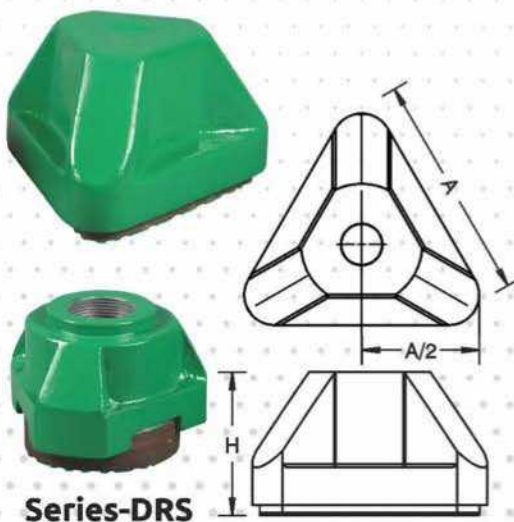
MACHINERY RAISER DAMPING BLOCKS Series DR



DYNEMECH Series DR, are suitable for machines having tapped hole in the base. The bolt rests over the dimple provided on the top face of the mount. Dimple size is provided as per the bolt diameter in the machine base.

Model	Load Kg/pc	Model	Load Kg/pc	Model	Load Kg/pc	Model	Load Kg/pc	Model	Load Kg/pc	Dia D (mm)	H u/m/h	H s1	H s2	d (mm)
DR1-u	350	DR1-m	450	DR1-h	1200	DR1-s2	300	DR1-s1	200	109	100/150	105/155	110/160	87
DR2-u	600	DR2-m	800	DR2-h	2400	DR2-s2	550	DR2-s1	375	150	100/150	105/155	110/160	108
DR3-u	900	DR3-m	1150	DR3-h	3500	DR3-s2	850	DR3-s1	575	170	100/150	105/155	110/160	136
DR4-u	1400	DR4-m	1750	DR4-h	5200	DR4-s2	1250	DR4-s1	800	210	100/150	105/155	110/160	161
DR5-u	1900	DR5-m	2400	DR5-h	7200	DR5-s2	1700	DR5-s1	1100	240	100/150	105/155	110/160	185
DR6-u	2500	DR6-m	3200	DR6-h	9600	DR6-s2	2200	DR6-s1	1500	270	100/150	105/155	110/160	215

MACHINERY RAISER DAMPING BLOCKS Series DRS



Dynemech Series DRS mounts are available in different heights as per the required ground clearance. The options of threading and dimple are available for levelling the machine. The vibration reduction is done using vibration isolation sheet of tuned natural frequency under the base of this mount.

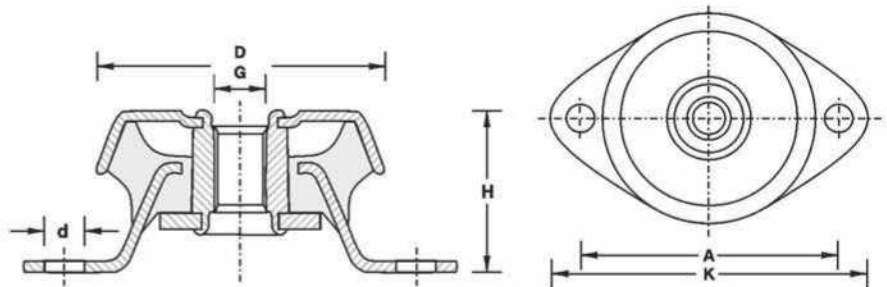
S.No.	Model	Load Capacity (Kg/pc)	Height H (mm)	A (mm)	Dimple	Natural Frequency	Co-efficient of Friction
1.	DRS1-50-m	1160	50	150	28	30	0.7
2.	DRS1-65-h	3450	65	150	27	45	0.6
3.	DRS1-95-h	3450	95	150	27	45	0.6
4.	DRS1-100-h	3450	100	150	32	45	0.6
5.	DRS2-65-u	7200	65	150	32	45	0.6

* Dimple size can be customized as per available bolt size.

COMPAC MACHINERY MOUNTS Series DH



Series-DH



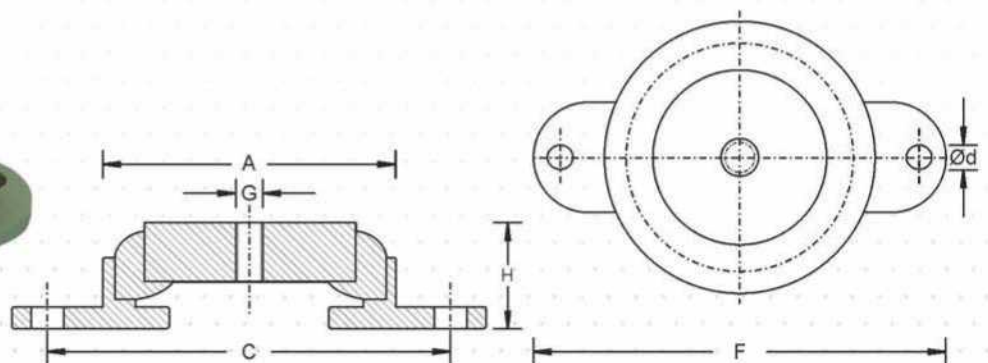
Dynemech Compac Machinery Mounts uses rubber in compression and shear. They provide tight tolerances on stiffness rate for accurate vibration calculations. Load range is from 40 to 130 Kgs per piece. The strong base metal withstands high shock loads without deformation. Fitted as standard with a shock-proof device (up to 4.5g) with resilient stop, it is ideal for mobile or marine use. Domed shape cover to protect against oil contamination. Light weight and compact. Ideal for **Diesel engines, Compressors Cooling Towers, Pumps, Industrial generators, Marine generators, ID, FDFans** etc.

Model	D (mm)	A (mm)	H (mm)	K (mm)	d (mm)	G	Weight (Kg.)	Load Capacity (Kg.)
DH 1	64	76	35	93	9.5	M12/M10	0.22	130
DH 2	64	76	35	93	9.5	M12/M10	0.22	105
DH 3	64	76	35	93	9.5	M12/M10	0.22	70

TEXL FOOT MOUNTS Series DTXL



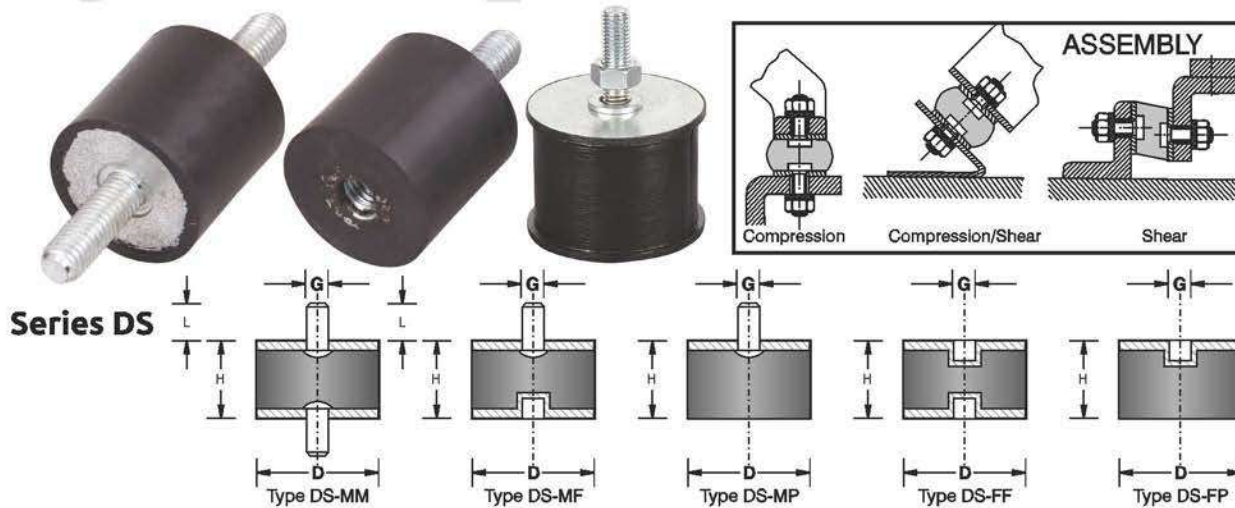
Series DTXL



Low cost solution for Shock Absorption and Vibration control. Rugged CI body mount provide option for low height machinery installation option. Simple, ready to install configuration with top cup and bottom base plate bolting options. Provides stability, smoother operation and reduced maintenance in machinery. High efficiency, stable fixed support, long service life of mounts ensures greater productivity of machinery.

Model	A (mm)	H (mm)	G (mm)	Ød (mm)	F (mm)	C (mm)	Load (Kg/pc)
DTXL-1	108	38	M12	13	175	148	500

Note : Bolt sizes available as optional accessories for Text Foot Mounts.



DYNEMECH Stud Mounts, Series DS are highly effective and compact vibration dampers for a variety of applications like - Compressors, Pumps, ID & FD fans, Motors, Machine tools, Gensets, Air Conditioners, Measuring and Testing Equipments /Instruments, Material Handling Equipments, Laboratory Equipments etc. These mounts can be used for load applications in both compression and shear.

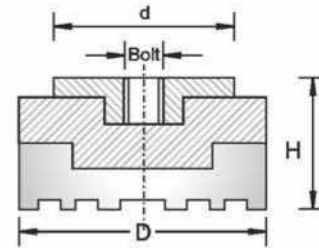
MODEL	D (mm)	H (mm)	G Thread	L (mm)	LOAD (Kg)	NATURAL FREQUENCY (Hz)
DS a 10-10	10	10	M4	16	2	12
DS b 10-10	10	10	M4	16	4	15
DS c 10-10	10	10	M4	16	6.5	15
DS a 15-15	15	15	M4	16	4	12
DS b 15-15	15	15	M4	16	9	12
DS c 15-15	15	15	M4	16	15	12
DS a 20-15	20	15	M6	16	9	12
DS b 20-15	20	15	M6	16	18	12
DS c 20-15	20	15	M6	16	25	12
DS a 20-25	20	25	M6	16	7	10
DS b 20-25	20	25	M6	16	16	10
DS c 20-25	20	25	M6	16	24	12
DS a 25-25	25	25	M8	33	12	12
DS b 25-25	25	25	M8	33	28	12
DS c 25-25	25	25	M8	33	39	12
DS a 25-30	25	30	M8	33	10	9
DS b 25-30	25	30	M8	33	22	9
DS c 25-30	25	30	M8	33	30	9
DS a 30-30	30	30	M8	33	17	8
DS b 30-30	30	30	M8	33	37	8
DS c 30-30	30	30	M8	33	57	9
DS a 40-30	40	30	M10	38	34	7
DS b 40-30	40	30	M10	38	70	8
DS c 40-30	40	30	M10	38	110	8
DS a 40-40	40	40	M10	38	30	7
DS b 40-40	40	40	M10	38	60	8
DS c 40-40	40	40	M10	38	95	8
DS a 50-45	50	45	M10	38	55	8
DS b 50-45	50	45	M10	38	110	8
DS c 50-45	50	45	M10	38	160	8
DS a 60-25	60	25	M10	38	85	6
DS b 60-25	60	25	M10	38	170	7
DS c 60-25	60	25	M10	38	250	7
DS a 60-45	60	45	M10	38	75	7
DS b 60-45	60	45	M10	38	150	7
DS c 60-45	60	45	M10	38	200	7
DS a 75-55	75	55	M16	48	125	6
DS b 75-55	75	55	M16	48	275	7
DS c 75-55	75	55	M16	48	400	7
DS a 100-55	100	55	M16	48	250	7
DS b 100-55	100	55	M16	48	500	7
DS c 100-55	100	55	M16	48	750	7
DS a 150-55	150	55	M16	48	450	7
DS b 150-55	150	55	M16	48	800	8
DS c 150-55	150	55	M16	48	1300	8

MAC LEVEL MOUNTS Series DML

Dynemech
VIBRATION TECHNOLOGY



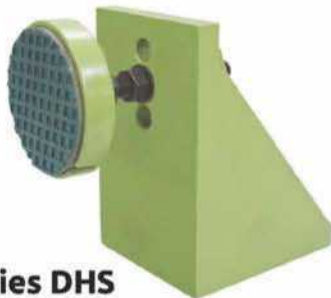
Series DML



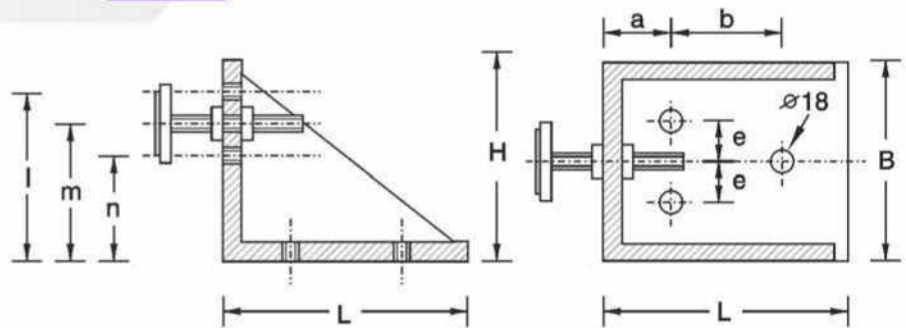
Dynemech Mac Level, Series DML is suitable for high speed rotating machines having small or no axial forces.

Model	Max.Load (Kg)	D (mm)	H (mm)	d (mm)	Levelling Adjustment (mm)	Natural Frequency at Max. Load (Hz)	Bolt
DML 1	175	50	40	32	10	7	M10
DML 2	500	80	47	45	12	7	M12
DML 3	1200	120	53	60	12	7	M16
DML 4	2000	160	58	90	20	8	M16
DML 5	4000	200	63	120	20	8	M20

HORIZONTAL STOPS Series DHS



Series DHS



Dynemech Horizontal Stop Series DHS is suitable for the shock absorption of machines having very high axial force on a light weight machine bed and for precision machines which has to be flexibly mounted but be protected from horizontal shaking due to inherent axial movements of their elements.

MODEL	H (mm)	L (mm)	B (mm)	a (mm)	b (mm)	e (mm)	l (mm)	m (mm)	n (mm)
DHS 1	150	150	125	50	65	25	125	100	75
DHS 2	200	150	125	50	65	25	175	150	125
DHS 3	200	175	150	60	75	30	215	180	150

Vibration Measurement and Analysis

Dynemech conducts highly accurate **FFT Analysis** before the selection of the anti vibration system for very precise measuring equipment like CMM, Gear profile testers, Contour testing machines.

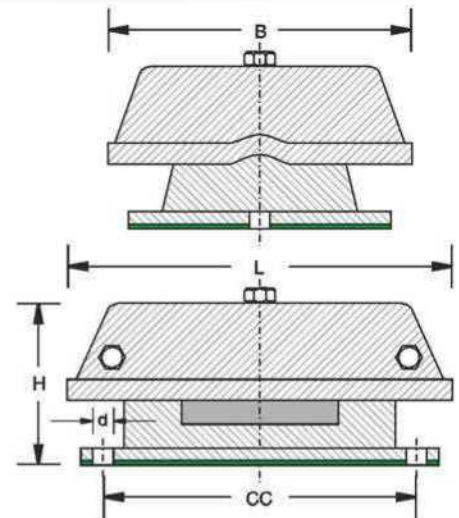
The FFT works by taking a time-domain signal, which is a signal that varies with time, and transforming it into a frequency-domain signal, which shows how the signal varies with frequency.

Dynemech Vibration Measurement and FFT Analysis is a powerful tool for analyzing signals because it allows us to identify specific frequency components that may be important for a particular application.





Series DGF

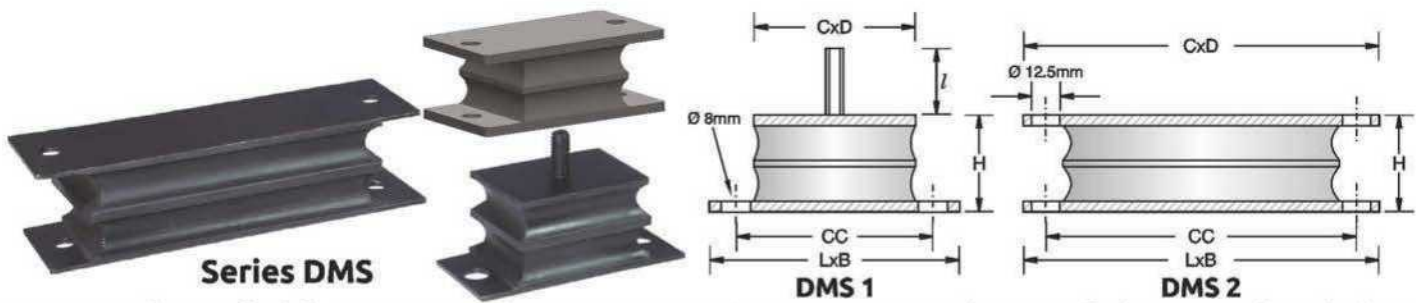


Dynemech Flexi Foot Mounts, Series DGF is well suited for machines requiring vibration damping in both compression and shear. An anti skid plate is provided in the base of the mount to prevent machine walking. These mounts can also be anchored to the floor through the holes provided in the base for machines producing high unbalance forces.

Applications : Generators, Blowers, Pumps, ID & FD Fans, Cooling Towers, etc.

S. No.	Model	Max.Load (Kg)	L (mm)	B (mm)	H (mm)	Bolt	CC (mm)	dØ (mm)	Natural Frequency at Max. Load (Hz)
1.	DGF1-A	75	134	127	82	M12	85	13	6.0
2.	DGF1-B	100	134	127	82	M12	85	13	6.0
3.	DGF1-C	150	134	127	82	M12	85	13	6.5
4.	DGF1-D	225	134	127	82	M12	85	13	6.5
5.	DGF1-E	300	134	127	82	M12	85	13	7.0
6.	DGF2-A	250	230	205	107	M16	159	18	6.5
7.	DGF2-B	500	230	205	107	M16	159	18	6.5
8.	DGF2-C	850	230	205	107	M16	159	18	7.0
9.	DGF2-D	1100	230	205	107	M16	159	18	7.0
10.	DGF2-E	1575	230	205	107	M16	159	18	7.0
11.	DGF1-A-RTH	75	134	127	74	M16	90	13	6.0
12.	DGF1-B-RTH	100	134	127	74	M16	90	13	6.0
13.	DGF1-C-RTH	150	134	127	74	M16	90	13	6.5
14.	DGF1-D-RTH	225	134	127	74	M16	90	13	6.5
15.	DGF1-E-RTH	300	134	127	74	M16	90	13	7.0
16.	DGF2-A-RTH	250	230	205	107	M16	165	18	6.5
17.	DGF2-B-RTH	500	230	205	107	M16	165	18	6.5
18.	DGF2-C-RTH	850	230	205	107	M16	165	18	7.0
19.	DGF2-D-RTH	1100	230	205	107	M16	165	18	7.0
20.	DGF2-E-RTH	1575	230	205	107	M16	165	18	7.0
21.	DGF1-A-RTH-Da1	250	230	205	109.5	M16	165	18	6.5
22.	DGF1-B-RTH-Da1	500	230	205	109.5	M16	165	18	6.5
23.	DGF1-C-RTH-Da1	850	230	205	109.5	M16	165	18	7.0
24.	DGF1-D-RTH-Da1	1100	230	205	109.5	M16	165	18	7.0
25.	DGF1-E-RTH-Da1	1575	230	205	109.5	M16	165	18	7.0
26.	DGF1-A-UNM	75	128	128	73	M12	89	11	6.0
27.	DGF1-B-UNM	100	128	128	73	M12	89	11	6.0
28.	DGF1-C-UNM	150	128	128	73	M12	89	11	6.5
29.	DGF1-D-UNM	225	128	128	73	M12	89	11	6.5
30.	DGF1-E-UNM	300	128	128	73	M12	89	11	7.0

SANDWICH MOUNTS Series DMS

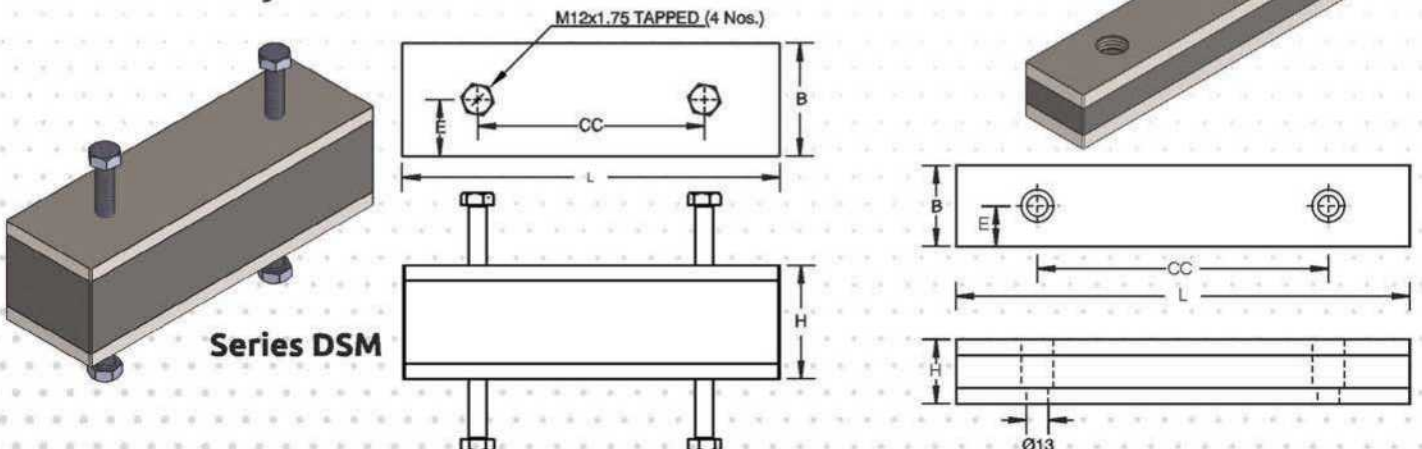


DyneMech Sandwich Mounts Series DMS comprise one or more layers of elastomer bonded to flat steel plates. They are designed to withstand very high compressive loads. These mounts have large supporting surface area and are slim. These mounts can also be stacked to achieve lower natural frequencies.

S.No.	Model	MAX Load (Kg)	LxB (mm)	CxD (mm)	CC (mm)	H (mm)	l (mm)	Natural Frequency (Hz)	Bolt
1.	DMS1-A	40	88x41	57x41	75	38	25	6.0	M8
2.	DMS1-B	50	88x41	57x41	75	38	25	6.0	M8
3.	DMS1-C	75	88x41	57x41	75	38	25	6.5	M8
4.	DMS1-D	120	88x41	57x41	75	38	25	6.5	M8
5.	DMS1-E	150	88x41	57x41	75	38	25	7.0	M8
6.	DMS2-A	125	165x54	165x54	145	43	-	6.5	-
7.	DMS2-B	250	165x54	165x54	145	43	-	6.5	-
8.	DMS2-C	425	165x54	165x54	145	43	-	7.0	-
9.	DMS2-D	550	165x54	165x54	145	43	-	7.0	-
10.	DMS2-E	800	165x54	165x54	145	43	-	7.0	-
11.	DMS2-A-SP1	140	110x60	110x60	89	43	-	6.5	-
12.	DMS2-B-SP1	270	110x60	110x60	89	43	-	6.5	-
13.	DMS2-C-SP1	450	110x60	110x60	89	43	-	7.0	-
14.	DMS2-D-SP1	600	110x60	110x60	89	43	-	7.0	-
15.	DMS2-E-SP1	850	110x60	110x60	89	43	-	7.0	-

SANDWICH MOUNTS Series DSM

DyneMech Sandwich Mounts Series DSM are available in various standard and customized sizes. These mounts provides support to motors, pumps and equipment installed on a machine body. These mounts provides high vibration isolation efficiency.



S.No.	Model	MAX Load (Kg./pc)	Length L (mm)	Width B (mm)	Height H (mm)	Bolt	CC (mm)	Thru. Hole (mm)
1.	DSM-250/75	3500	250	75	75	M12x1.75	150	---
2.	DSM-280/50	4500	280	50	40	---	180	20



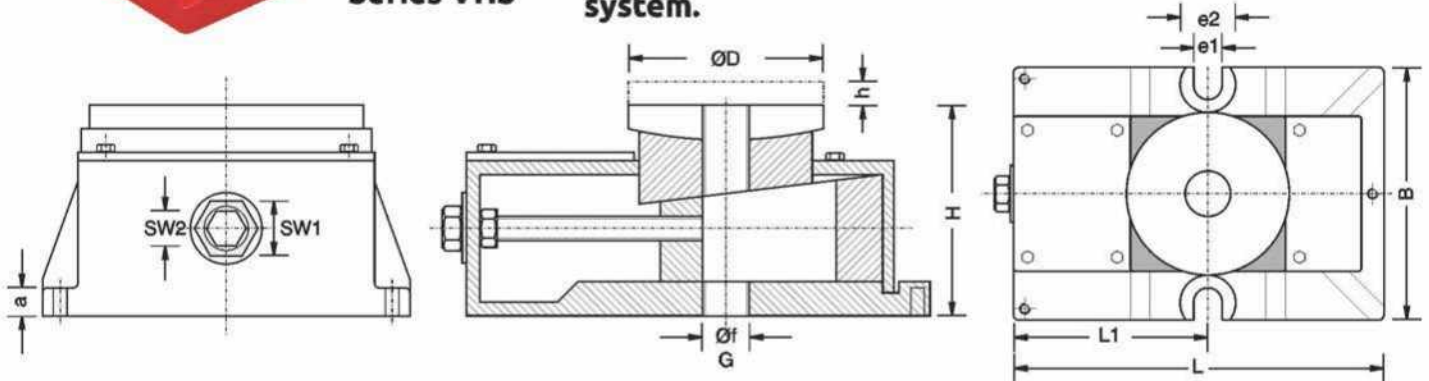
Series VHS

VHS Festofix are useful in leveling and aligning machinery to very strict tolerances, Making it possible to vary adjustments at any times, even under maximum load.

Benefits include:

- Built-in compensation for uneven areas in foundations and machine bases.

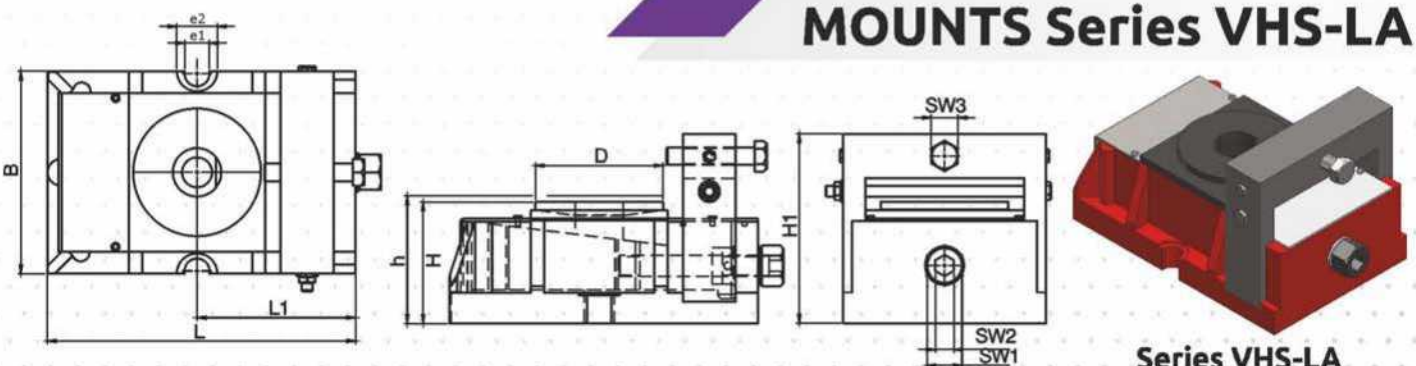
These benefits make the VHS Series Festofix Levelling Wedges the "state-of-the-art" anchoring/alignment system.



Model	Recommended Load (Kg/pc)	Max. Load (Kg/pc)	L (mm)	L1 (mm)	B (mm)	H (mm)	D (mm)	h (mm)	f (mm)	G	a (mm)	SW1	SW2	e1	e2
VHS-I	1000	9000	170	91	108	60	75	5	17	M12	12	19	10	12.7	26
VHS-II	2000	12000	175	93	120	75	75	5	21	M20	15	19	10	12.7	26
VHS-III	4000	24000	220	118	150	98	88	6	25	M24	23	19	10	18.0	32
VHS-IV	6000	36000	280	160	180	116	105	8	31	M30	25	32	18	24.0	38
VHS-V	12000	70000	350	180	230	138	145	10	37	M36	35	32	18	28.0	46

Applications: For the Levelling, Adjustment & Fixation of Large Machinery and other Heavy Equipment like Boilers, Turbines, Generators, Long-bedded lathes etc. **Note:** Please select dimensions 'G' or 'F' at the time of order.

PRECISION LEVELLING MOUNTS Series VHS-LA



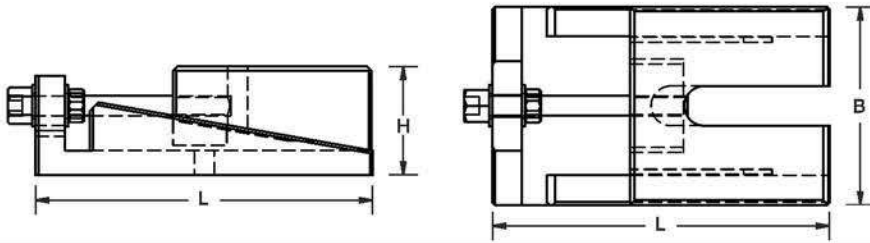
Series VHS-LA

VHS-LA series mounts provides precision levelling to the machine. The leveling is possible even after grouting the outer body of this mount. A slight horizontal alignment of long bedded machines is possible using this mount.

Model	Recommended Load (Kg/pc)	Max. Load (Kg/pc)	L (mm)	L1 (mm)	B (mm)	D (mm)	h (mm)	f (mm)	G	a (mm)	SW1	SW2	e1	e2	H (mm)	Total height with Lateral adjuster H1 (mm)	Lateral Adjuster Bolt Size (SW3)
VHS-LA-1	1000	9000	170	91	108	75	5	17	M12	12	19	10	12.7	26	60	100	M16
VHS-LA-2	2000	12000	175	93	120	75	5	21	M20	15	19	10	12.7	26	75	125	M16
VHS-LA-3	4000	24000	220	118	150	88	6	25	M24	23	19	10	18.0	32	98	150	M20
VHS-LA-4	6000	36000	280	160	180	105	8	31	M30	25	32	18	24.0	38	116	165	M20
VHS-LA-5	12000	70000	350	180	230	145	10	37	M36	35	32	18	28.0	46	138	185	M20

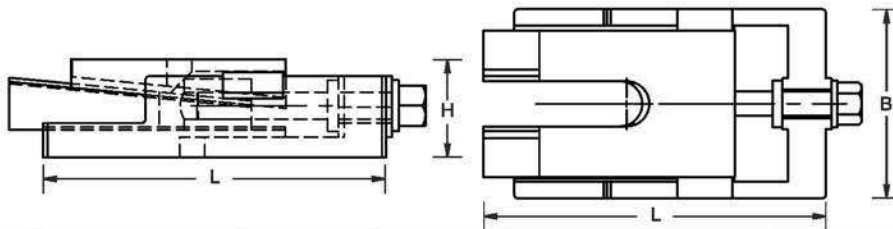
HIGH PRECISION LEVELLING & ALIGNMENT MOUNTS Series DFL

The DFL series mounts are made from a high grade casting body. Large supporting surface and high levelling adjustment is available. The slot in the middle allows placement of these mounts after the grouting bolts are fixed in the foundation. Suitable for VTL, long bedded CNC machines, large boring machines, plano miller etc.



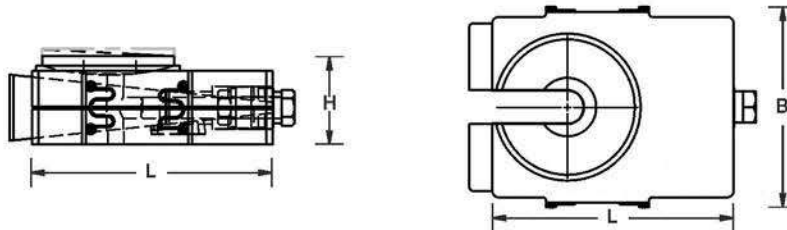
S.No.	Model	Load Capacity (Kg)	Length L (mm)	Width B (mm)	Height H (mm)	Max. Torque value (N.m)	Adjustment Range (mm)
1.	DFL1-S1-SP1	8000	207	142	86	454	13

DFL1-S1-SP1



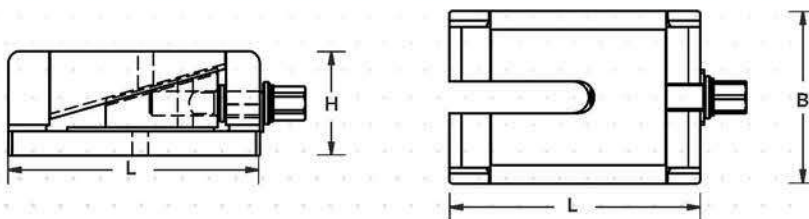
S.No.	Model	Load Capacity (Kg)	Length L (mm)	Width B (mm)	Height H (mm)	Max. Torque value (N.m)	Adjustment Range (mm)
1.	DFL2-S1	4000	255	155	73	216	5

DFL2-S1



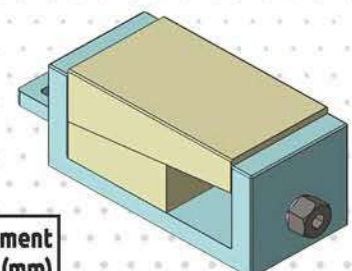
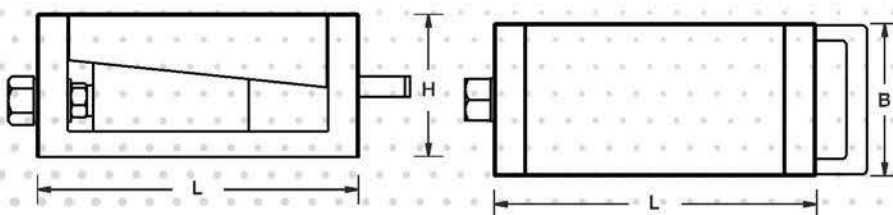
S.No.	Model	Load Capacity (Kg)	Length L (mm)	Width B (mm)	Height H (mm)	Max. Torque value (N.m)	Adjustment Range (mm)
1.	DFL1-S3	12200	188	140	68.5	603	6

DFL1-S3



S.No.	Model	Load Capacity (Kg)	Length L (mm)	Width B (mm)	Height H (mm)	Max. Torque value (N.m)	Adjustment Range (mm)
1.	DFL4	17000	340	200	113	1090	15

DFL4

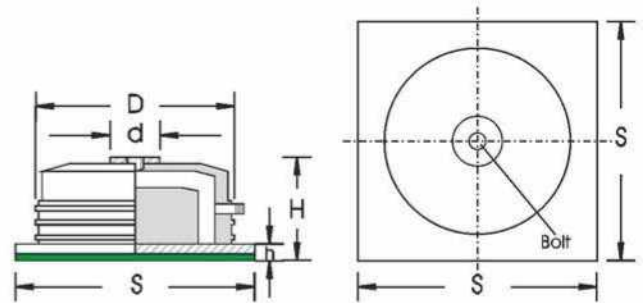


S.No.	Model	Load Capacity (Kg)	Length L (mm)	Width B (mm)	Height H (mm)	Max. Torque value (N.m)	Adjustment Range (mm)
1.	DFL3-S2	20000	315	150	140	1748	8

DFL3-S2



Series DRAS



Dynemech Rubber Air Springs, Series DRAS provide highly effective insulation of machines against low frequency vibration/impact. The element offers a vertical natural frequencies between 2.5 to 6.0 Hz*. The component has vertical to horizontal stiffness ratio of approximately one. Suited for both active and passive vibration control.

Model	Load (Kg/pc)	Max. Pressure Bar	S (mm)	D (mm)	H App. (mm)	d (mm)	h (mm)	Bolt
DRAS1	25 - 60	3	96	85	64	42	6	M10
DRAS2	80 - 300	5	126	123	69	80	6	M12
DRAS3	270 - 800	6	182	175	85	100	6	M16
DRAS4	650 - 1500	6	252	250	105	127	8	M16
DRAS5	1200 - 3400	6	370	357	105	200	8	M20
DRAS6	3000 - 6500	6	500	480	110	315	8	M20

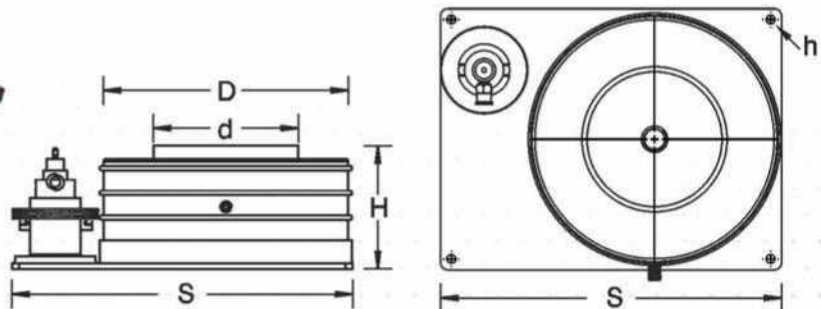
* Depending upon the pressure required to support the load.

Applications : Active isolation of high speed Power Presses, Textile Machines, Vibration Test Rigs, Engine Test Beds, Blowers etc. and Passive Insulation of Measuring & Testing Machines/Equipments, High Precision Grinding/Polishing Machines, Surface Plates, Spectrometers etc.



Series DLPM

RUBBER AIR SPRINGS Series DLPM (Self Levelling)



Dynemech Rubber Air Springs Series DLPM system consists of three master pneumatic isolators for 3-point precision levelling. Each pneumatic damping isolator consists of a levelling valve which is the load sensing and height controlling element. Systems are supplied with automatic height control valves, tubing and all other pneumatic accessories necessary for complete system installation. Dynemech DLPM Mounts have minimal setting time.

Isolation Characteristics : Natural Frequency for the Pneumatic Isolator Vertical - 4-6 Hz

Damping : Vertical (Adj.) 6% - 20%, Horizontal 5% - 6%

Levelling Accuracy of ± 0.15 mm/m and ± 0.015 mm/m is available.

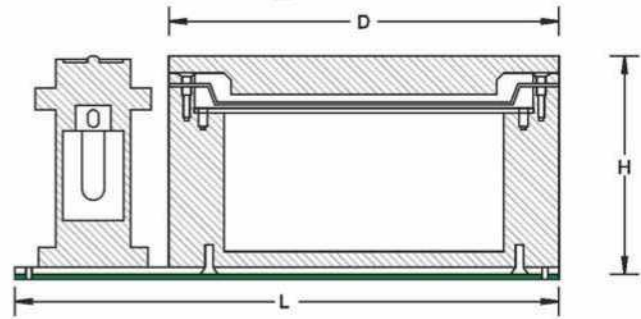
Model	Load (Kg/pc)	Max. Pressure Bar	S (mm)	D (mm)	H App. (mm)	d (mm)	h (mm)	Bolt
DLPM1	25 - 60	3	100x170	85	64	42	6	M10
DLPM2	80 - 300	5	130x200	123	69	80	6	M12
DLPM3	270 - 800	6	180x235	175	88	100	6	M16
DLPM4	650 - 1500	6	252x302	250	108	127	8	M16
DLPM5	1200 - 3400	6	370x420	357	111	200	8	M20
DLPM6	3000 - 6500	6	500x550	480	114	315	8	M20

* As we are constantly upgrading our products specifications are subject to change without notice.

MEMBRANE AIR SPRING Series DMAS-SH/SL



Series DMAS-SH/SL



Dynemech DMAS system consists of three master pneumatic isolators for 3-point precision levelling. Each pneumatic damping isolator consists of a self-levelling plunger mechanism, which is the load sensing, and height-controlling element. The system is supplied with pressure regulator, distributor, non-return valve and other pneumatic accessories necessary for complete systems installation. Clean dry air is required to be supplied to the system.

The DMAS is lightweight aluminium body. The inner chamber is split into two parts i.e. load volume and damping volume. Damping up to 20% can be adjusted using external valve manually. A thin reinforced elastomeric diaphragm supports the load. A safety valve protects diaphragm from over inflation. The final precise levelling of the system can be done using levelling nut provided on the plunger mechanism.

Available levelling accuracies are ± 0.015 mm and ± 0.15 mm depending upon the application requirements.

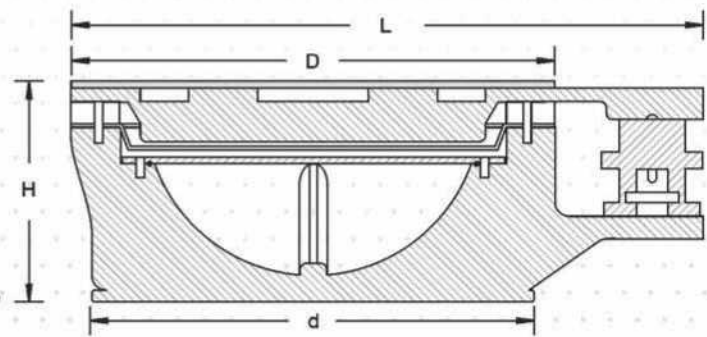
Natural frequency of the DMAS system is 2.5-3 Hz.

Model	D (mm)	H (mm)	L (mm)	Load Capacity at 4 bar (Kg)	Load Capacity at 6 bar (Kg)	Self Levelling Repeatability (mm)	Natural Frequency Vertical (Hz)
DMAS-SH1	110	102	190	120	180	± 0.015	2.5-3
DMAS-SH2	150	110	230	260	400	± 0.015	2.5-3
DMAS-SH3	200	110	280	680	1000	± 0.015	2.5-3
DMAS-SH4	250	110	330	1400	2100	± 0.015	2.5-3
DMAS-SL1	100	102	190	120	180	± 0.150	2.5-3
DMAS-SL2	150	110	230	260	400	± 0.150	2.5-3
DMAS-SL3	200	110	280	680	1000	± 0.150	2.5-3
DMAS-SL4	250	110	330	1400	2100	± 0.150	2.5-3

MEMBRANE AIR SPRING Series DMAS-BH/BL



Series DMAS-BH/BL



Model	D (mm)	d (mm)	H (mm)	L (mm)	Load Capacity at 4 bar (Kg)	Load Capacity at 6 bar (Kg)	Self Levelling Repeatability (mm)	Natural Frequency Vertical (Hz)
DMAS-BH1	200	170	155	293	800	1200	± 0.015	2.5-3
DMAS-BH2	225	184	155	305	1075	1600	± 0.015	2.5-3
DMAS-BH3	275	234	155	365	1650	2480	± 0.015	2.5-3
DMAS-BH4	350	320	155	457	2450	3700	± 0.015	2.5-3
DMAS-BL1	200	170	155	293	800	1200	± 0.150	2.5-3
DMAS-BL2	225	184	155	305	1075	1600	± 0.150	2.5-3
DMAS-BL3	275	234	155	365	1650	2480	± 0.150	2.5-3
DMAS-BL4	350	320	155	457	2450	3700	± 0.150	2.5-3

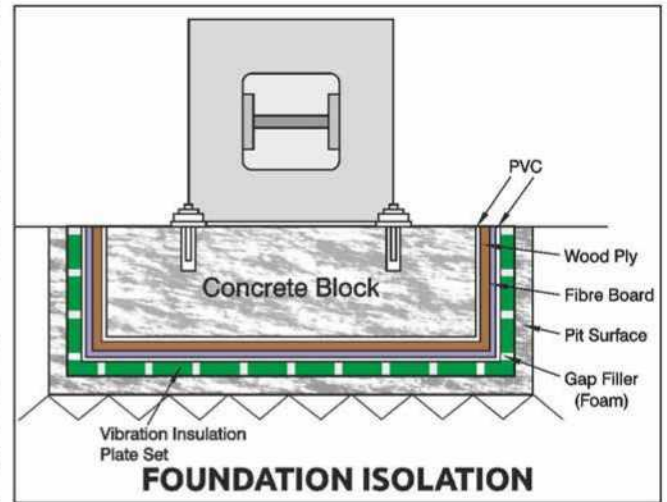
Isolated Foundation for Active Vibration Damping for Power Presses, Forging Hammers, Engine Test Rigs, and Passive Vibration Isolation of Machining Centres, Grinding Machines, Measuring & Testing Equipments, Laser Cutters, Microscopes and CMM.

The ISOLATED FOUNDATION is required to reduce both active and passive vibrations.

A foundation isolation for high dynamic machines like **Power Press, Forging Hammers, Compressors, Engine Test Rigs** etc. is required in order to reduce the transmission of vibration and shock to nearby precision machines / building structures. To control the source of vibration disturbance through the use of resilient insulating materials is known as **ACTIVE VIBRATION ISOLATION**.

When it is not possible to prevent or sufficiently lower the transmission of shock and vibration from the source a resiliently supported vibration insulating foundation block can be used for the **PASSIVE VIBRATION ISOLATION** of sensitive equipments like **Machining Centres, Measuring and Testing Machines / Equipments** etc.

ISOLATED FOUNDATION lowers the centre of gravity of the machine foundation system and adds to the stability of the machine. Machine remains aligned during dynamic load changes and rapid movements within the machines.



FOUNDATION ISOLATION



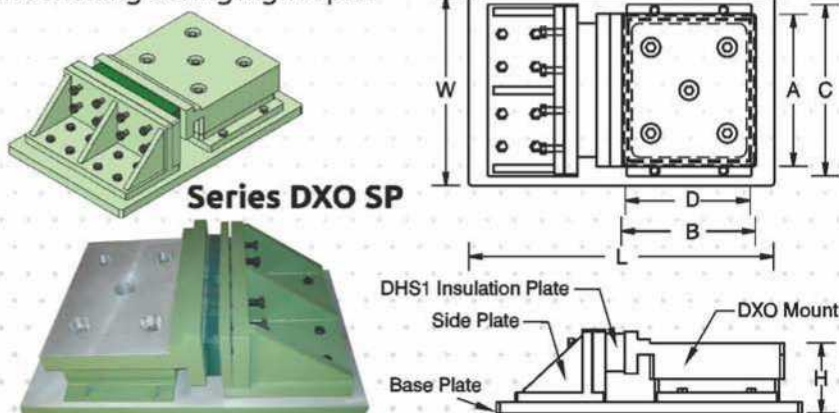
Foundation Isolation

1. Concrete pit base/wall
2. Concrete Block joint line sealing tape
Polymeric Sealant
3. Damp Proof PVC film
4. 25mm Wooden Board
5. Damp Proof PVC film
6. Dynemech Insulation Plate DNM
7. Gap Foam Filler



SHOCK MOUNT Series DXO SP1

DXO-Sp1 series is designed for Very heavy machines which produce high shocks and are top heavy or have high rapid movements. These mounts provides stability to forging presses which have a very small area and are heavier on the top half. The base is equipped with multi layers of DHS1 insulation plates and the strong side support avoids lateral movement of the machine. Similarly for VMC machines these mounts provides high efficiency along with preventing machine shaking during high rapid.












S. No.	Model	Load Capacity (Kg)	L (mm)	W (mm)	A (mm)	B (mm)	C (mm)	D (mm)	H (mm)	Natural Frequency at Max. Load (Hz)
1.	DXO1-SP1	7,000	650	350	250	200	450	176	185	7.0
2.	DXO2-SP1	10,000	700	400	300	250	350	226	185	7.0
3.	DXO3-SP1	15,000	750	450	350	300	400	276	185	7.0
4.	DXO4-SP1	21,000	800	500	400	350	450	326	185	7.0

Pneumatic isolation system with cradle provides low CG and stability. High vibration isolation for precision measuring machines like CMM, Gear profile testers.



ADVANTAGES

-  High Vibration Isolation Performance.
-  Fast, Easy Machinery Installation - even on working machines with minimal down time.
-  Installation of Sensitive Quality Control and Testing Equipments and Heavy Production Machinery possible in the same workshop.
-  Flexible layout Floor Plan, ease in machine relocation to accommodate expansion plans & technology induction - Permanent mobility of CMM with DLPM Mounts.
-  Low Maintenance and Easy to Install.
-  Automatic Machine Levelling of $\pm 0.010\text{mm}$ and $\pm 0.2\text{mm}$ available.
-  Prevents forced deterioration of sensitive machine, expensive unscheduled downtime and maintenance resulting in production losses.
-  Solutions of different natural frequencies available to suit various vibration problems based on vibration analysis report.
-  Maintains measuring integrity of metrology equipments.

SHOCK RESISTANT/ANTI-VIBRATION TABLE WITH ELASTOMERIC ISOLATION

Series DIT-E



Dynemech Anti Vibration Tables - Series DIT-E are ideal for Testing / Quality Laboratories co-located with industrial units having high degree of vibration due to working machines like presses, hammers, VMCs etc. The Vibrations are isolated using Double-Layered Dp Elastomeric Sheets. These Anti-Vibration Tables have a Granite Surface Plate with Grade-00/Grade-1 accuracy for very precise measuring accuracies. The passive vibrations from nearby motors and other heavy machinery is reduced by 65-70%. The vibration isolation efficiency of these tables can be further increased by placing more than 2 layers of our Dp insulation Sheets. Five layers of DP exhibits a natural frequency of 7-8 Hz. which damps most of the incoming frequencies above 20 Hz.

APPLICATIONS : The Vibration Isolated Table (VIT) finds usage in critical areas where reading accuracy of instruments like Balances, Galvanometers, Electronic Microscopes and Atomic Absorption Spectrophotometers, is affected by Vibrations.

Model	Length (mm)	Width (mm)	Height (mm)	Surface Plate Thickness (mm)	Table Load Capacity (Kg)	Natural Frequency at Max. Load (Hz)
DIT-E/01	500	500	800-1000	80	up-to 250	7-8
DIT-E/01/s1	630	630	800-1000	80	up-to 250	7-8
DIT-E/02	750	500	800-1000	80	up-to 450	7-8
DIT-E/03	900	600	800-1000	100	up-to 1250	7-8
DIT-E/04	1000	800	800-1000	150	up-to 1250	7-8

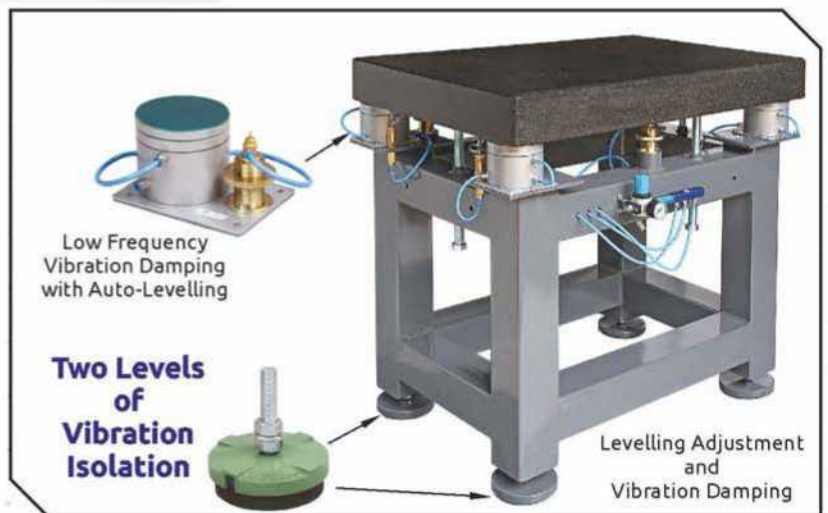
* Special table sizes and designs can also be ordered as per client's requirement

SHOCK RESISTANT/ANTI-VIBRATION TABLE WITH AUTO LEVELLING PNEUMATIC VIBRATION MOUNTS

Series DIT-AM

Dynemech anti vibration table DIT-AM has natural frequency in the range of 1.5-2 Hz. along with self-levelling feature. Available self-levelling is +0.01mm and +0.1mm variants with minimum setting time. Membrane air springs damps most of the incoming vibration above 3Hz.

APPLICATIONS : Metrology equipments, High precision weighing balances, TGA, digital hardness testers, High resolution microscopes, surface roughness testers, etc.



Model	Length (mm)	Width (mm)	Height (mm)	Surface Plate Thickness (mm)	Table Load Capacity (Kg)	Natural Frequency at Max. Load (Hz)
DIT-AM/01	500	500	800-1000	80	up-to 400	2.5-3
DIT-AM/01/S1	630	630	800-1000	80	up-to 400	2.5-3
DIT-AM/02	750	500	800-1000	80	up-to 850	2.5-3
DIT-AM/03	900	600	800-1000	100	up-to 1150	2.5-3
DIT-AM/04	1000	800	800-1000	150	up-to 1200	2.5-3

* Special table sizes and higher loads can also be designed as per client's requirements.

Anti-vibration Table with Honeycomb Tabletop and Auto Levelling Pneumatic Vibration Mounts Series DIT AM-HC



Dynemech Anti Vibration Table DIT AM-HC has natural frequency in the range of 1-1.5 Hz along with self-levelling feature. Available self-levelling accuracy is ± 0.10 mm with minimum setting time, depending upon the application requirement. Membrane air springs are used which damps most of the incoming vibrations above 4 Hz. Level difference on top of the honey comb table top surface due to any load change and the equipment is compensated within milliseconds.

APPLICATIONS: Used in Optical industries, for mounting optical assemblies

Sl. No.	Model	Load Capacity (Kg.)	Length (mm)	Width (mm)	Height at mean position (mm)	Honeycomb Table Top Thickness (mm)
1.	DIT AM-HC 01-75759	upto 450	750	750	900	100
2.	DIT AM-HC 02-90609	upto 500	900	600	900	100
3.	DIT AM-HC 03-1008090	upto 600	1000	800	900	100
4.	DIT AM-HC 04-12010090	upto 700	1200	1000	900	150
5.	DIT AM-HC 05-15012090	upto 800	1500	1200	900	150
6.	DIT AM-HC 06-18012090	upto 850	1800	1200	900	150
7.	DIT AM-HC 07-24015090	upto 1000	2400	1500	900	200

Shock Resistant/Anti-Vibration Table with Auto Levelling Pneumatic Isolation with Vibration Isolation Series DIT AHL



Dynemech Anti Vibration Table DIT-AHL has natural frequency in the range of 1.0-1.2 Hz along with self-levelling feature. The table has a sheet metal closed cabinet design. Available self-levelling accuracy is ± 0.1 mm and ± 0.01 mm with minimum setting time, depending upon the application requirement. membrane air springs are used which damps most of the incoming vibrations above 2.5 Hz. Top granite surface plate has flatness accuracy of Grade 00. Level difference on top of the granite surface due to any load change and the equipment is compensated within milliseconds.

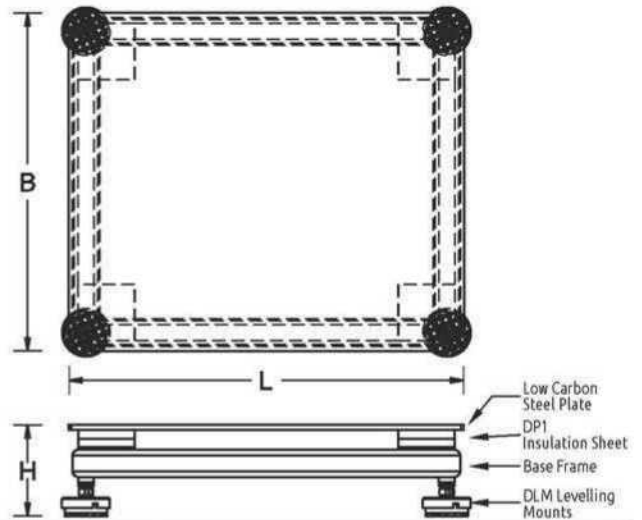
APPLICATIONS: Metrology Equipments, High Precision Weighing Balances, TGA, Digital Hardness Testers, High Resolution Microscopes, surface roughness testers, etc.

Sl. No.	Model	Load Capacity (Kg.)	Length (mm)	Width (mm)	Height at mean position (mm)	Granite Table Top Thickness (mm)
1.	DIT AHL-01	upto 400	500	500	800-1000	80
2.	DIT AHL-01/S1	upto 400	630	630	800-1000	80
3.	DIT AHL-02	upto 850	750	500	800-1000	80
4.	DIT AHL-03	upto 1150	900	600	800-1000	100
5.	DIT AHL-04	upto 1250	1000	800	800-1000	150
6.	DIT AHL-05	upto 1250	1200	1000	800-1000	150
7.	DIT AHL-06	upto 1500	1800	1500	800-1000	150

ANTI VIBRATION PLATFORM Series VIP-E

Dynemech Anti Vibration Platform, are ideal for precision lab balances / microscopes/testing & measuring or scientific instruments and other vibration sensitive equipment like probes etc. They are suitable for equipment in Testing / Quality/Medical & Biological Laboratories co-located nearby industrial units/commercial units having high degree of vibration transmission due to vehicular traffic, HVAC installations and other vibration creating equipment. Audio centres and Research laboratories may find use of Dynemech Vibration Isolation Platforms for the vibration sensitive equipments.

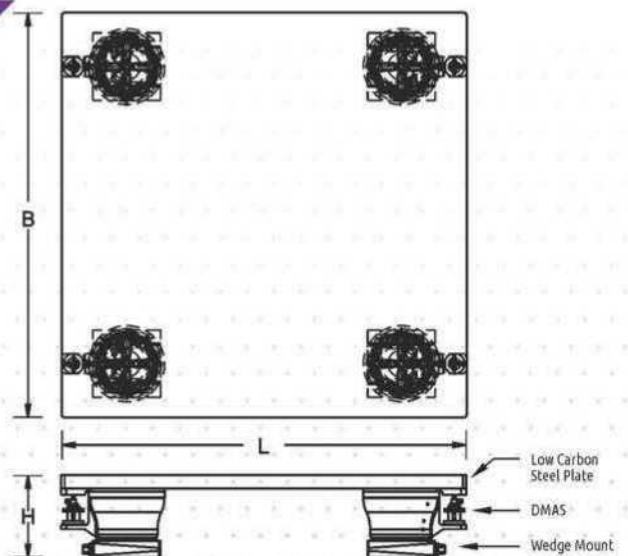
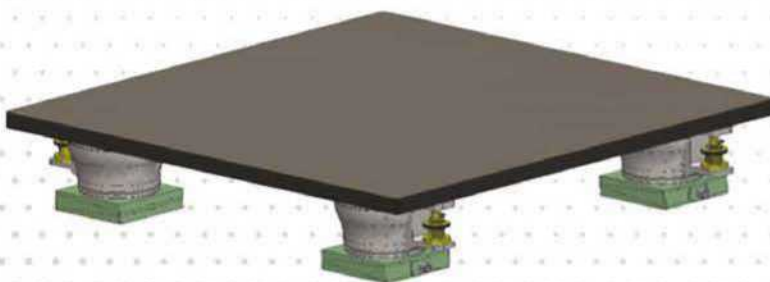
Dynemech Anti Vibration Platform VIP-E The Vibrations are isolated using Double-Layered Dp Elastomeric Sheets where in vibration transmission by 65-70%. The vibration isolation efficiency of these tables can be further increased by placing more than 2 layers of our Dp insulation Sheets. Five layers of DP exhibits a natural frequency of 7-8 Hz. which damps most of the incoming frequencies above 15 Hz.



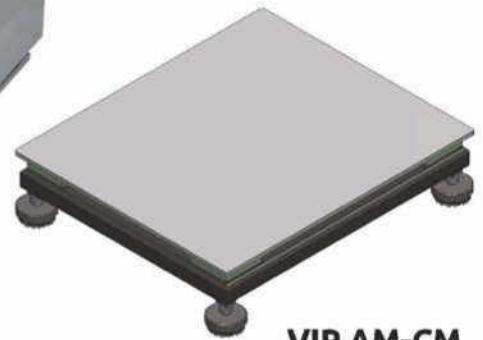
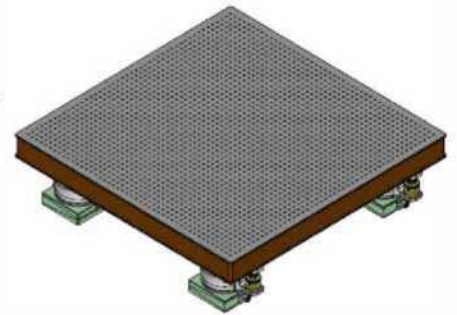
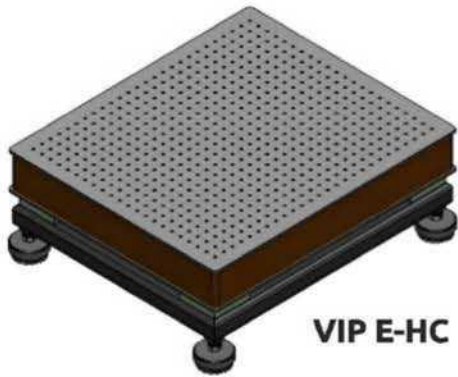
Sl. No.	Model	Load Capacity (Kg.)	Length L (mm)	Width B (mm)	Height H (mm)	Top Plate Thickness T (mm)
1.	VIP-E 01	upto 100	500	500	170	10
2.	VIP-E 01-S1	upto 150	600	600	170	10
3.	VIP-E 02	upto 200	750	500	170	15
4.	VIP-E 03	upto 250	900	600	170	15
5.	VIP-E 04	upto 400	1000	800	180	20
6.	VIP-E 05	upto 500	1500	1000	180	20
7.	VIP-E 06	upto 750	1800	1200	200	25

ANTI VIBRATION PLATFORM Series VIP-AM

Dynemech Anti Vibration Platform VIP-AM has natural frequency in the range of 1.5-2 Hz along with self - levelling feature. Available self-levelling is + 0.01 mm and +0.1 mm variants with minimum setting time. Membrane air springs damps most of the the incoming vibrations above 3 Hz.



Sl. No.	Model	Load Capacity (Kg.)	Length L (mm)	Width B (mm)	Height H (mm)	Top Plate Thickness T (mm)
1.	VIP-AM 01	upto 250	500	500	245	40
2.	VIP-AM 01-S1	upto 300	600	600	245	40
3.	VIP-AM 02	upto 400	750	500	245	40
4.	VIP-AM 03	upto 450	900	600	245	40
5.	VIP-AM 04	upto 600	1000	800	255	40
6.	VIP-AM 05	upto 750	1500	1000	255	40
7.	VIP-AM 06	upto 1000	1800	1200	255	40



SHOCK RESISTANT/ANTI-VIBRATION TABLES Other Variations



Two Levels of
Vibration Isolation

Low Frequency
Vibration Damping
with Auto-Levelling

Low Frequency
Vibration Damping
with Auto-Levelling

Low Frequency
Vibration Damping

Levelling Adjustment
Slope Adjustment
Low Frequency
Vibration Damping



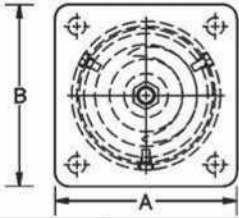
Levelling Adjustment
Slope Adjustment
Low Frequency
Vibration Damping



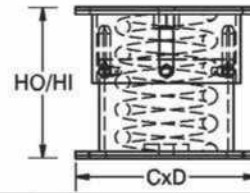
SPRING ISOLATORS

Series MAI/MBI/MDI

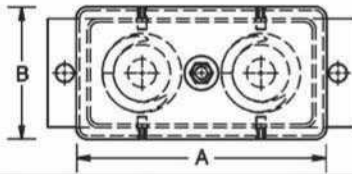
Dynemech Spring Isolator gives desired natural frequency to obtain phase difference in the frequencies for a rotating machine and impact generating machine. Viscous damping is an important feature of an isolation system. In most cases viscous damping is required to limit excessive movement which could occur as a machine operates at a speed near to, or coinciding with the resonant frequencies of the system. Generally this problem arises during slow run up and run down of rotating machines and during impact at each stroke in presses and hammers.



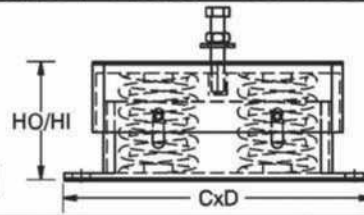
Series MAI



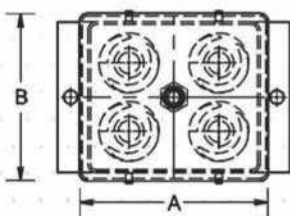
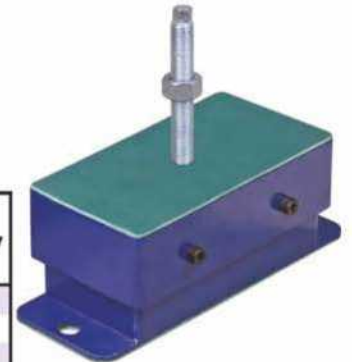
S.No.	Model	LOAD (kg)	HO (mm)	HI (mm)	Bolt Size	Top Plate AxB (mm)	Bottom Plate CxD (mm)	CC (mm)	Natural Frequency (Hz)
1.	MAI-H2	25-200	66	86	M12	110x110	110x110	90	3.5-10
2.	MAI-J2	30-300	84	104	M12	125x125	125x125	95	3.5-11
3.	MAI-L3	50-500	84	104	M12	125x125	125x125	95	3.5-11
4.	MAI-K3	200-850	69	75	M12	125x125	125x125	95	5.0-10
5.	MAI-P5	250-900	82	91	M12	125x125	125x125	95	5.0-09
6.	MAI-P3	500-1400	95	104	M12	125x125	125x125	95	5.0-09



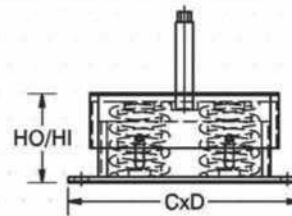
Series MBI



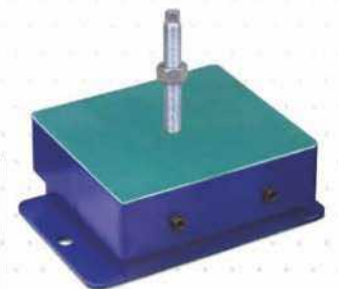
S.No.	Model	LOAD (kg)	HO (mm)	HI (mm)	Bolt Size	Top Plate AxB (mm)	Bottom Plate CxD (mm)	CC (mm)	Natural Frequency (Hz)
1.	MBI-J4	60-580	96	108	M12	221x117	271x096	241	3.5-11
2.	MBI-L4	10-1000	86	105	M12	221x117	271x096	241	3.5-11
3.	MBI-K4	400-1700	69	80	M12	189x119	241x101	211	5.0-10
4.	MBI-P5	500-1800	86	95	M12	236x121	291x106	261	5.0-10
5.	MBI-P4	1000-2800	91	105	M12	221x117	271x096	241	5.0-08



Series MDI



S.No.	Model	LOAD (kg)	HO (mm)	HI (mm)	Bolt Size	Top Plate AxB (mm)	Bottom Plate CxD (mm)	CC (mm)	Natural Frequency (Hz)
1.	MDI-L6	200-2000	86	105	M16	221x196	271x176	241	3.5-11
2.	MDI-J6	110-1200	83	105	M16	221x196	271x176	241	3.5-11
3.	MDI-K6	800-3400	69	85	M16	189x164	241x146	211	5.0-10
4.	MDI-P6	2000-5500	96	105	M16	221x196	271x176	241	5.0-08
5.	MDI-P5	1000-3000	86	95	M16	240x240	291x221	261	5.0-10

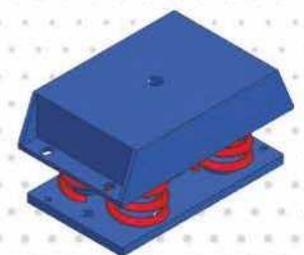
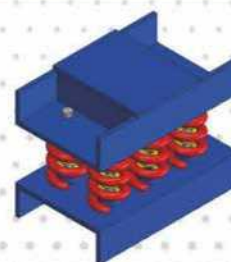


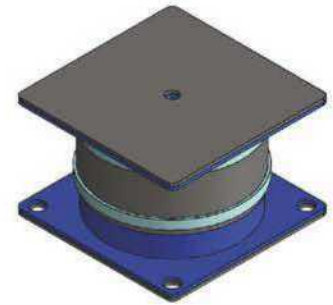
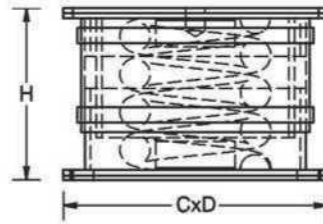
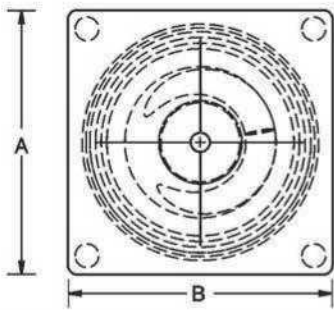
Note: HI - Free Height
HO - Height under load

SPRING ISOLATORS

CUSTOMIZED

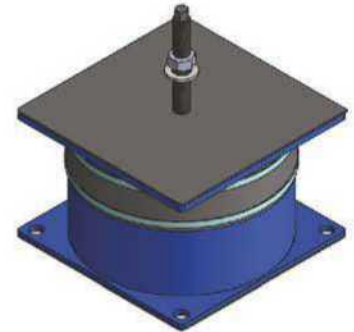
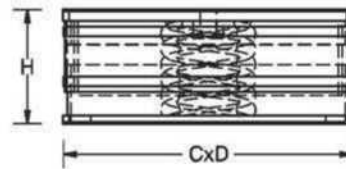
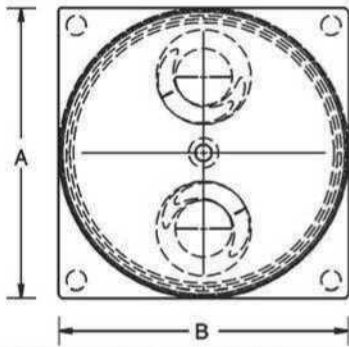
Dynemech Spring Isolator can also be customized as per customer's required dimensions and load capacity.





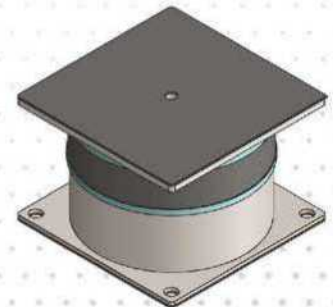
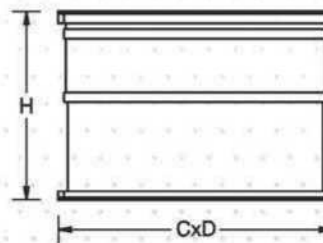
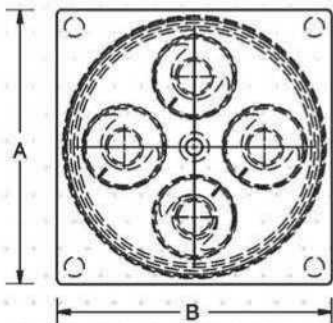
Series RAD-RT

S.No.	Model	LOAD kg	Free Height H (mm)	Bolt Size	Top Plate (AxB) mm	Bottom Plate (Cx D) mm	CC mm	Natural Frequency (Hz)
1.	RAD-J2-RT	30-300	101	M12	125x125	125x125	95	3.5-11
2.	RAD-L4-RT	50-500	101	M12	125x125	125x125	95	3.5-11
3.	RAD-P4-RT	500-1400	101	M12	125x125	125x125	95	5.0-8.0
4.	RAD-K6-RT	200-850	101	M12	125x125	125x125	95	5.0-10
5.	RAD-P5-RT	250-900	91	M12	140x140	140x140	120	5.0-10
6.	RAD-H2-RT	25-200	101	M12	125x125	125x125	95	3.5-10
7.	RAD-J2-A2-RT	30-300	108	M12	125x125	125x125	95	3.5-11



Series RBD-RT

S.No.	Model	LOAD kg	Free Height H (mm)	Bolt Size	Top Plate (AxB) mm	Bottom Plate (Cx D) mm	CC mm	Natural Frequency (Hz)
1.	RBD-J2-RT	60-580	108	M12	235x235	235x235	205	3.5-11
2.	RBD-L4-RT	100-1000	108	M12	235x235	235x235	205	3.5-11
3.	RBD-P4-RT	1000-2800	108	M12	235x235	235x235	205	5.0-8.0
4.	RBD-K6-RT	400-1700	108	M12	235x235	235x235	205	5.0-10
5.	RBD-P5-RT	500-1800	98	M12	245x245	245x245	215	5.0-10
6.	RBD-H2-RT	50-400	108	M12	235x235	235x235	205	3.5-10

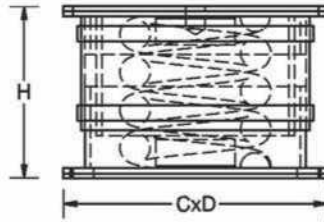
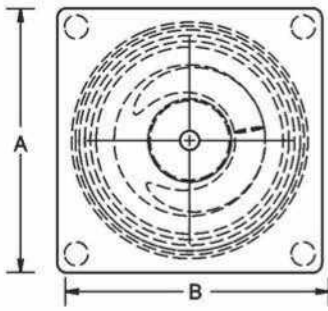


Series RDD-RT

S.No.	Model	LOAD kg	Free Height H (mm)	Bolt Size	Top Plate (AxB) mm	Bottom Plate (Cx D) mm	CC mm	Natural Frequency (Hz)
1.	RDD-J2-RT	110-1200	108	M16	235x235	235x235	205	3.5-11
2.	RDD-L4-RT	200-2000	108	M16	235x235	235x235	205	3.5-11
3.	RDD-P4-RT	2000-5500	108	M16	235x235	235x235	205	5.0-8.0
4.	RDD-K6-RT	800-3400	108	M16	235x235	235x235	205	5.0-10
5.	RDD-P5-RT	1000-3600	98	M16	245x245	245x245	215	5.0-10
6.	RDD-H2-RT	100-800	108	M16	235x235	235x235	205	3.5-10

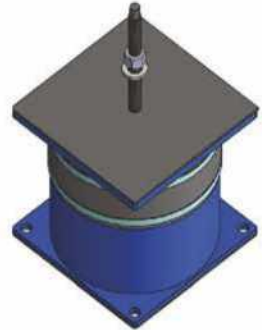
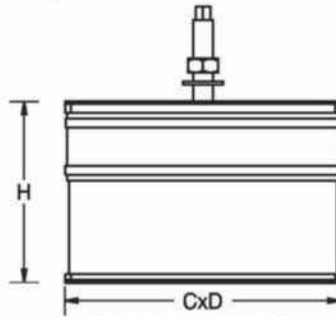
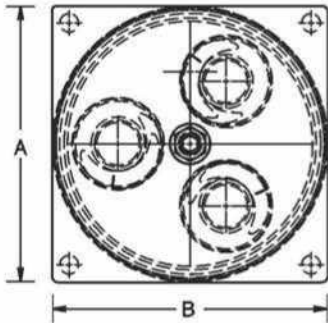
SPRING ISOLATORS

Series RT SP2/SP3



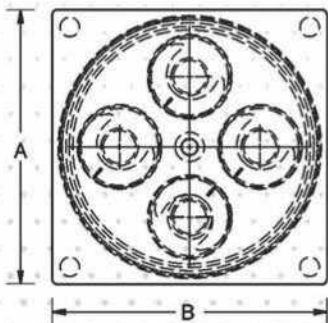
Series RAD RT-SP2

S.No.	Model	Load (Kg)	Free Height H (mm)	Bolt Size	Top Plate AxB (mm)	Bottom Plate CxD (mm)	CC (mm)	Natural Frequency range (Hz)
1.	RAD-J2-RT-SP2	30-300	161.5	M12	125x125	125x125	105	3.5-11
2.	RAD-L4-RT-SP2	50-500	161.5	M12	125x125	125x125	105	3.5-11
3.	RAD-P4-RT-SP2	500-1400	161.5	M12	125x125	125x125	105	5.0-8
4.	RAD-K6-RT-SP2	200-850	161.5	M12	125x125	125x125	105	5.0-10
5.	RAD-P5-RT-SP2	250-900	161.5	M12	140x140	140x140	120	5.0-10
6.	RAD-H2-RT-SP2	25-200	161.5	M12	125x125	125x125	105	3.5-10



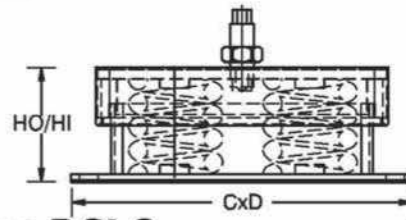
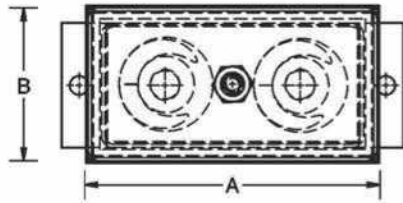
Series RCD RT-SP2

S.No.	Model	Load (Kg)	Free Height H (mm)	Bolt Size	Top Plate AxB (mm)	Bottom Plate CxD (mm)	CC (mm)	Natural Frequency range (Hz)
1.	RCD-J2-RT-SP2	82-900	161.5	M16	235x235	235x235	205	3.5-11
2.	RCD-L4-RT-SP2	150-1500	161.5	M16	235x235	235x235	205	3.5-11
3.	RCD-P4-RT-SP2	1500-4100	161.5	M16	235x235	235x235	205	5.0-8
4.	RCD-K6-RT-SP2	600-2550	161.5	M16	235x235	235x235	205	5.0-10
5.	RCD-P5-RT-SP2	750-2700	161.5	M16	245x245	245x245	215	5.0-10
6.	RCD-H2-RT-SP2	75-600	161.5	M16	235x235	235x235	205	3.5-10



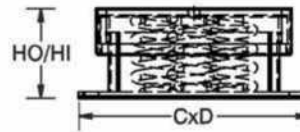
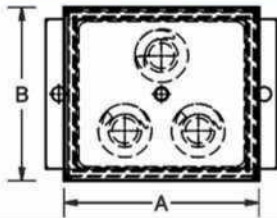
Series RDD RT-SP2

S.No.	Model	Load (Kg)	Free Height H (mm)	Bolt Size	Top Plate AxB (mm)	Bottom Plate CxD (mm)	CC (mm)	Natural Frequency range (Hz)
1.	RDD-J2-RT-SP2	110-1200	161.5	M16	235x235	235x235	205	3.5-11
2.	RDD-L4-RT-SP2	200-2000	161.5	M16	235x235	235x235	205	3.5-11
3.	RDD-P4-RT-SP2	2000-5500	161.5	M16	235x235	235x235	205	5.0-8
4.	RDD-K6-RT-SP2	800-3400	161.5	M16	235x235	235x235	205	5.0-10
5.	RDD-P5-RT-SP2	1000-3600	161.5	M16	245x245	245x245	215	5.0-10
6.	RDD-H2-RT-SP2	100-800	161.5	M16	235x235	235x235	205	3.5-10



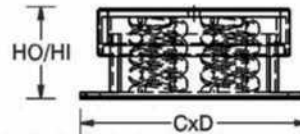
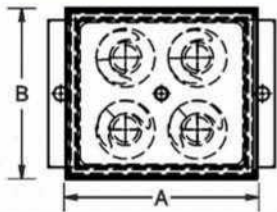
Series DSI-2

S.No.	Model	LOAD kg	Height under Load HO (mm)	Free Height HI (mm)	Bolt Size	Top Plate (AxB) mm	Bottom Plate (CxD) mm	CC mm	Natural Frequency (Hz)
1.	DSI-2.10	60-580	103	112	M12	232x127	271x96	241	3.5-11
2.	DSI-2.12	100-1000	103	112	M12	232x127	271x96	241	3.5-11
3.	DSI-2.16	1000-2800	103	112	M12	232x127	271x96	241	5.0-09
4.	DSI-2.11 S3	400-1700	74	85	M12	208x138	241x101	211	5.0-10
5.	DSI-2.16 SPL	500-1800	89	98	M12	252x137	291x106	261	5.0-10



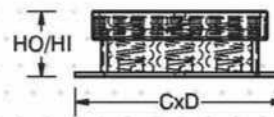
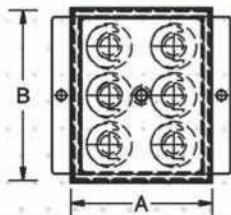
Series DSI-3

S.No.	Model	LOAD kg	Height under Load HO (mm)	Free Height HI (mm)	Bolt Size	Top Plate (AxB) mm	Bottom Plate (CxD) mm	CC mm	Natural Frequency (Hz)
1.	DSI-3.10	82-900	103	112	M16	232x213	271x176	241	3.5-11
2.	DSI-3.12	150-1500	103	112	M16	232x213	271x176	241	3.5-11
3.	DSI-3.16	1500-4100	103	112	M16	232x213	271x176	241	5.0-8.0
4.	DSI-3.11 S3	600-2550	74	85	M16	202x177	241x146	211	5.0-10
5.	DSI-3.16 SPL	750-2700	89	98	M16	252x228	291x196	261	5.0-10



Series DSI-4

S.No.	Model	LOAD kg	Height under Load HO (mm)	Free Height HI (mm)	Bolt Size	Top Plate (AxB) mm	Bottom Plate (CxD) mm	CC mm	Natural Frequency (Hz)
1.	DSI-4.10	110-1200	103	112	M16	232x213	271x176	241	3.5-11
2.	DSI-4.12	200-2000	103	112	M16	232x213	271x176	241	3.5-11
3.	DSI-4.16	2000-5500	103	112	M16	232x213	271x176	241	5.0-8.0
4.	DSI-4.11 S3	800-3400	74	85	M16	202x177	241x146	211	5.0-10
5.	DSI-4.16 SPL	1000-3600	89	98	M16	252x228	291x196	261	5.0-10

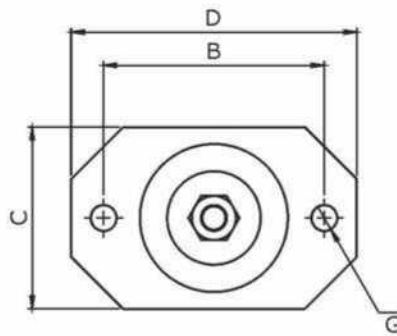
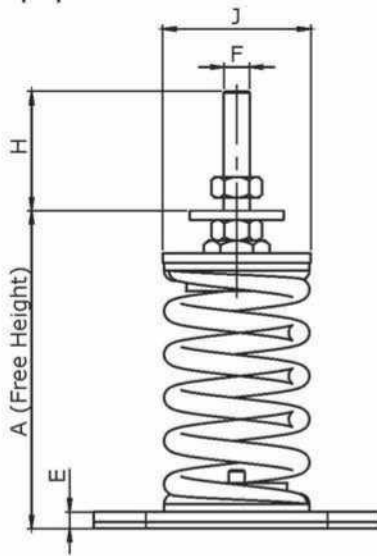


Series DSI-6

S.No.	Model	LOAD kg	Height under Load HO (mm)	Free Height HI (mm)	Bolt Size	Top Plate (AxB) mm	Bottom Plate (CxD) mm	CC mm	Natural Frequency (Hz)
1.	DSI-6.10	170-1800	94	112	M20	233x288	291x256	241	3.5-11
2.	DSI-6.12	300-3000	94	112	M20	233x288	291x256	241	3.5-11
3.	DSI-6.16	2400-8200	94	112	M20	233x288	291x256	241	5.0-8.0
4.	DSI-6.11 S3	1200-5100	73	84	M20	202x269	241x211	211	5.0-8.0
5.	DSI-6.16 SPL	1500-5400	89	98	M20	252x317	291x286	261	5.0-10

OPEN TYPE SPRING ISOLATORS Series DOS

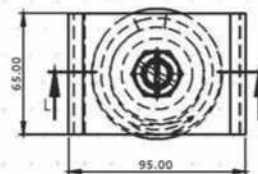
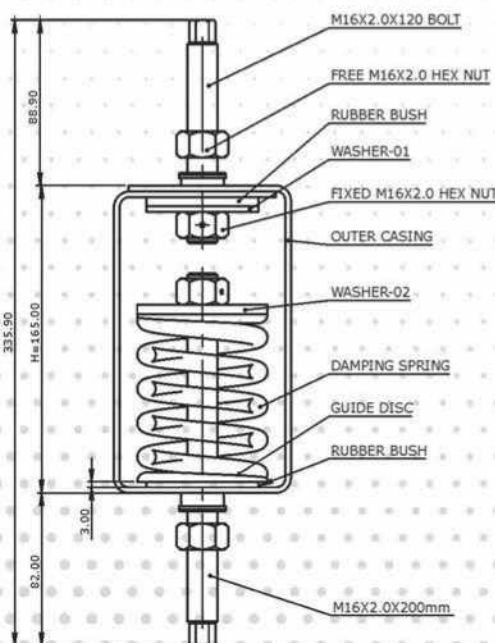
Dynemech Open type spring isolators provides high vibration isolation to plant and machinery and HVAC equipments. These isolators are compact and economical.



S.No.	Model	Rated Load (Kg)	Deflection at Rated Load (mm)	Dimensions (mm)								
				A	B	C	D	E	F	G	H	J
1.	DOS-5	31	25	122.5	85	70	110	6.5	M10	10	46	57
2.	DOS-6	61	25	122.5	85	70	110	6.5	M10	10	46	57
3.	DOS-7	109	25	122.5	85	70	110	6.5	M10	10	46	57
4.	DOS-7.5	157	25	122.5	85	70	110	6.5	M10	10	46	57
5.	DOS-8	210	25	122.5	85	70	100	6.5	M10	10	46	57
6.	DOS-10	300	25	122.5	100	95	125	6.5	M10	10	46	70
7.	DOS-12	500	25	122.5	100	95	125	6.5	M10	10	46	70

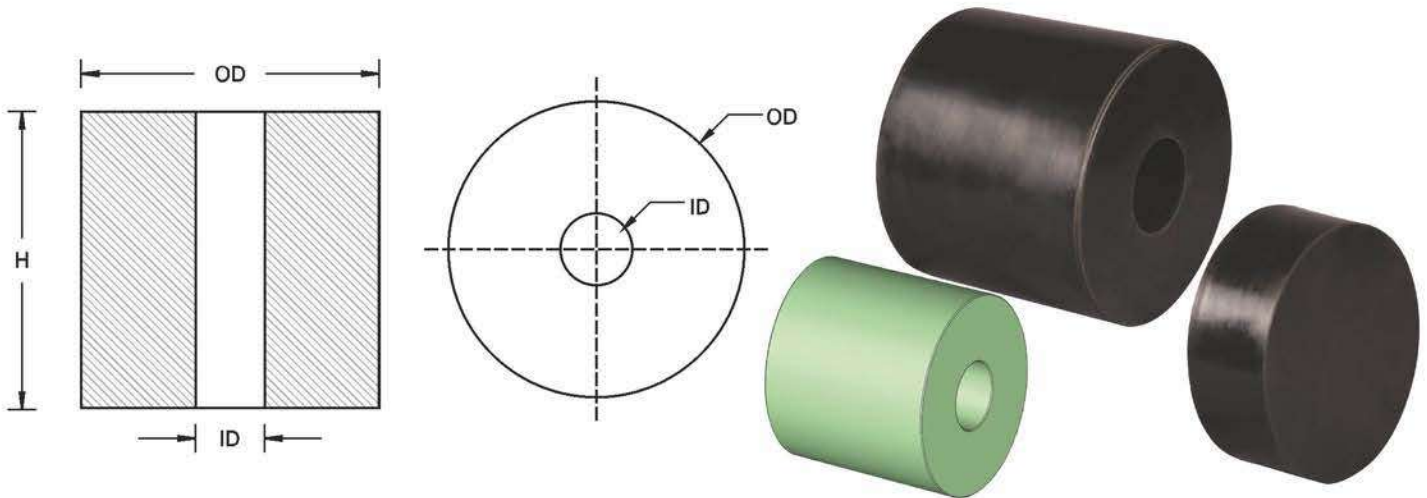
HANGER TYPE SPRING ISOLATORS Series DIH

Dynemech Spring hangers provides high vibration and shock isolation for small HVAC equipments, pipes and ducts to be mounted with the ceiling.



Sl. No.	Model	Load at 25mm Deflection (Kg/pc)	Bolt
1.	DIH-5	32	M16
2.	DIH-6	62	M16
3.	DIH-7	110	M16
4.	DIH-7.5	157	M16
5.	DIH-8	210	M16
6.	DIH-10	300	M16
7.	DIH-12	500	M16

Dynemech Rubber Bushes are available in various standard and customized sizes. They are made from different types of rubber material and fabric reinforcements based in the application requirements.

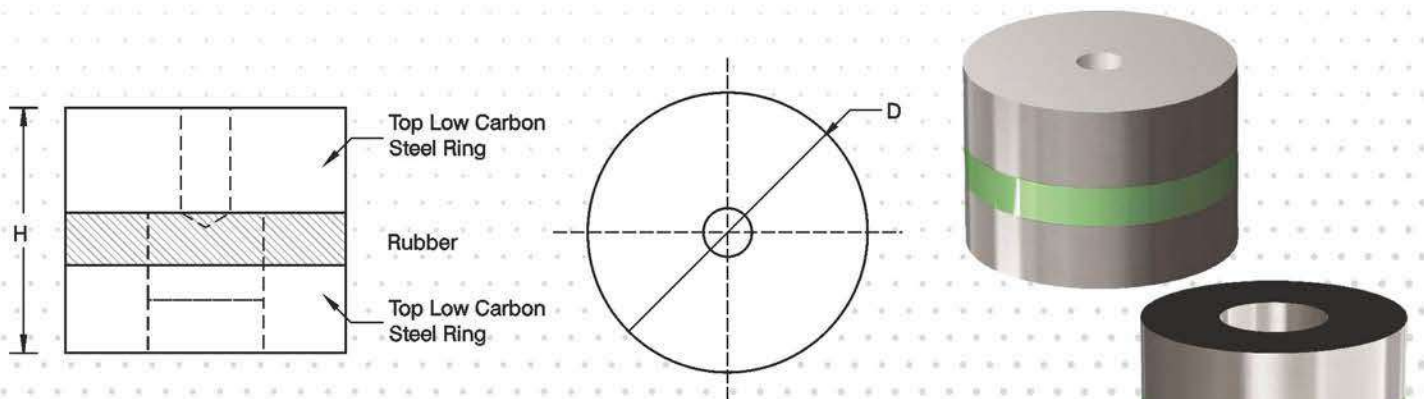


S. No.	Model	Load Capacity (Kg)	Outer Dia OD (mm)	Inner Dia. ID (mm)	Height H (mm)	Shore A Hardness	Natural Frequency (Hz)	Deflection Under Load (mm)	Working Temp. Range (°C)
1.	RB 100-125	750	100	--	125	70-75	7	18	-16 TO 90
2.	RB 165-60	1400	165	100	60	80-85	8	9	-16 TO 90
3.	DLKI 5-175	9000	200	68	175	80-85	7	26	-16 TO 90
4.	DLKI 4	6000	220	50	100	70-75	7	15	-16 TO 90
5.	NEOPRENE SPRING 82-105	500	82	51	105	70-75	7	15	-16 TO 90
6.	DSC 60-50T-13.5	200	60	13.5	50	80-85	6	7.5	-16 TO 90
7.	INSULATION DISC M16	95	40	17	25	70-75	8	5	-16 TO 90
8.	INSULATION DISC M20	160	52	21	25	70-75	8	5	-16 TO 90
9.	INSULATION DISC M30	400	75	31	25	70-75	8	5	-16 TO 90

*Customized sizes and material specifications can be possible as per customer's requirement.

OTHER VARIATIONS

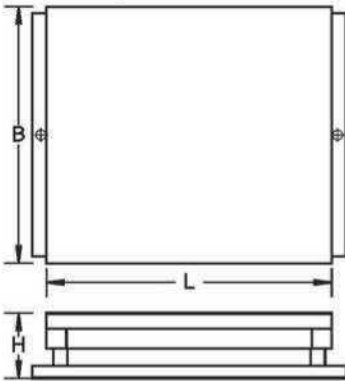
Rubber Bushes are available in various standard and customized sizes. They are made from different types of rubber material and fabric reinforcements based in the application requirements.



S.No.	Model	D (mm)	d (mm)	H (mm)	Bore (mm)
1.	WM 80-70 H	1250	80	70	M16

SHOCK MOUNTS Series DXO

Dynemech DXO mounts are suitable for very heavy presses. These mounts are also customized to cover the complete base area of the machine. These mounts provides high shock isolation



Sl. No.	Model	Length L (mm)	Width B (mm)	Height H (mm)	Max. Load Capacity (Kg/pc)	Natural Frequency at Max. Load (Hz)
1.	DXO-1	550	550	190	50,000	7
2.	DXO-2	800	550	190	70,000	7
3.	DXO-3	1100	550	190	90,000	7

Technical Specifications of DHS1 Insulation Plate

Sl. No.	Properties	Values
1.	Load (Kg/Sq. cm)	05-20
2.	Natural Frequency (Hz.)	06-12
3.	Thickness (mm)	65
4.	Coefficient of Friction	0.8
5.	Shore a Hardness	80-82
6.	Working Temp. Range (°C)	-20 to +70
7.	Oil and Chemical Resistance	Resistance to Fuels, Lubricating Oils, Cutting Oils, Water and Ozone
8.	Construction	Composite material made from Nitrile Rubber, Cork Particles and Polyester Fibre. The composite material ensure high damping capacity, high compressive strength and high load capacities.

Technical Specifications of DHS3 Insulation Plate

Sl. No.	Properties	Values
1.	Load (Kg/Sq. cm)	04-28
2.	Natural Frequency (Hz.)	07-15
3.	Thickness (mm)	50
4.	Coefficient of Friction	0.8
5.	Shore a Hardness	90-92
6.	Working Temp. Range (°C)	-20 to +70
7.	Oil and Chemical Resistance	Resistance to Fuels, Lubricating Oils, Cutting Oils, Water and Ozone
8.	Construction	Composite material made from Nitrile Rubber, Cork Particles and Polyester Fibre. The composite material ensure high damping capacity, high compressive strength and high load capacities.



Company : _____

Contact Person : _____









Designation : _____

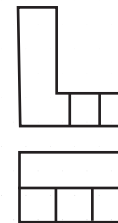
Phone : _____


Fax : _____

E-mail : _____

Questionnaire

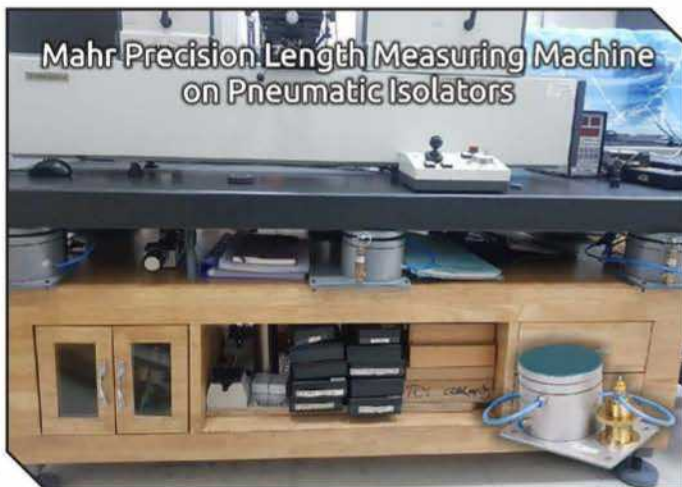
-  Type of Machine:
-  Machine Manufacturer:
-  Static Weight of the Machine:
-  RPM/No. of Strokes:
-  No. of Foundation Holes:
-  Hole Diameter in mm.:
-  Hole Length:
-  Type of Machine Base:
 - a) Lip Type
 - b) Window Type
 - c) If other, specify



-  Type of base where machine is to be installed:
 - a) Suspended Floor (First or Second Floor)
 - b) Ground Floor
 - c) Base Frame
 - d) Machine Bed
 - e) (Please Specify).....
- Active or Passive Vibration Damping required.

APPLICATIONS





APPLICATIONS :

- ★ Power Presses
- ★ Tool Room Machines
- ★ Plastic Injection Moulding Machines
- ★ CNC Turning / Machining Centers
- ★ Punching, Stamping & Shearing Machines
- ★ Coal Crushers, Turbines, ID/FD Fans
- ★ Precision Machine Tools (Turning Centers, Machining Centers, Grinding Machines)
- ★ CMM and EDM Machines
- ★ Press Brakes and Turret Punch Presses
- ★ Textile Machines
- ★ Forging Hammers
- ★ Generators, Compressors and HVAC Installations
- ★ Pressure Die Casting Machines
- ★ Printing and Packaging Machines
- ★ Food and Pharmaceutical Machines
- ★ Measuring and Testing Machines/Equipments (Surface Plates, Hardness Testers)
- ★ Anti-Vibration Tables and Isolation Platforms
- ★ Centrifugal Pumps and Fans



Manufactured by: **DYNEMECH SYSTEMS PVT. LTD.**
 Regd. Off. : 101, Priya Appts., Opp. North-Ex Mall, Rohini, Sector-14, Delhi-85 (India)
 RU-395, Near Power House, Main Outer Ring Road, Pitam Pura, Delhi-110034 (India)
Phone : +91-9810760 131, 9911145 131, 9212258 131, 9990226 131, 9212375 011
E-mail : sales@dynemech.com
Website : www.vibrationmountsindia.com • www.vibrationdampingpads.com