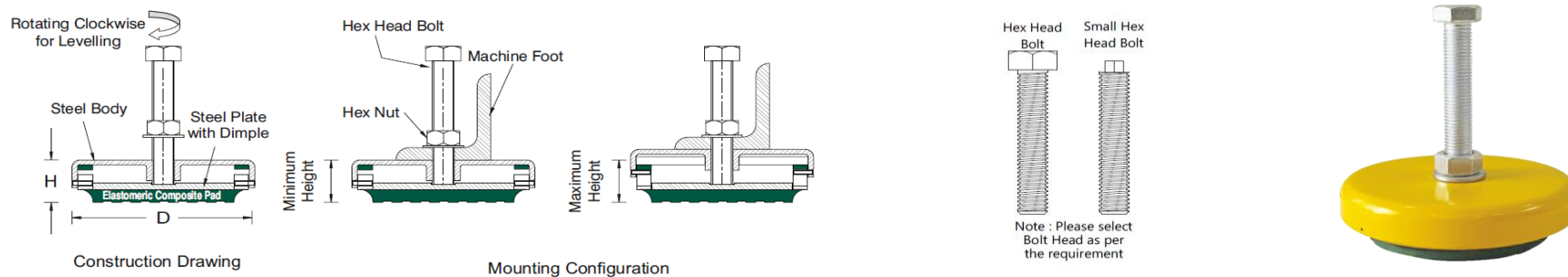
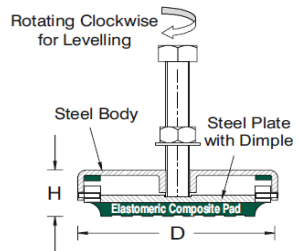


Dynemech Screw Support Mounts series DLK-LP are simple and effective vibration dampers for machines with respective holes in the base. These mounts offer both low frequency attenuation and stable machine levelling. The DLK-LP Series has a lower height for fast and easy installation of machines. DLK-LP Series anti vibrations mounts have low carbon steel body and are used for machines having mounting holes in the base. This levelling mount has a cover plate and dimpled bottom plate holding the insulation plate. Levelling is done by tightening the bolt which lifts the cover plate with the machine base.

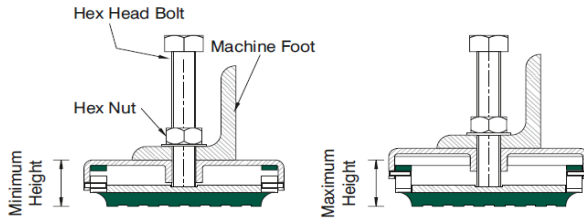
Model	Load Capacity Kg/pc	Diameter (D) mm	Height (H) mm	Standard Bolt Size (mm)	Adjustment Range (mm)	Possible Bolts	Color	Applications
DLK1-LP-a-93-M12x1.75x100-GR	580	95	38	M12X100	+10	M10/12/16/20	Red/Yellow powder coating	Textile Machines, CNC Machines, Power Presses, Plastic Injection Moulding Machines, Pressure Die Casting Machine, Printing Machines, Compressors, Grinding Machines and All Types of Heavy Industrial Applications.
DLK1-LP-b-93-M12x1.75x100-GR	750	95	38	M12X100	+10	M10/12/16/20	Red/Yellow powder coating	
DLK1-LP-c-93-M12x1.75x100-GR	900	95	38	M12X100	+10	M10/12/16/20	Red/Yellow powder coating	



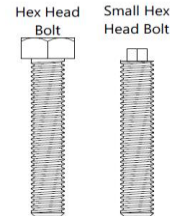
Model	Load Capacity Kg/pc	Diameter (D) mm	Height (H) mm	Bolt Size (mm)	Adjustment Range (mm)	Possible Bolts	Color	Applications
DLK2-LP-a-135-M16x2.0x100-GR	1200	135	35	M16X100	+10	M10/12/16/20/24	Red/Yellow powder coating	Textile Machines, CNC Machines, Power Presses, Plastic Injection Moulding Machines, Pressure Die Casting Machine, Printing Machines, Compressors, Grinding Machines and All Types of Heavy Industrial Applications.
DLK2-LP-b-135-M16x2.0x100-GR	1900	135	35	M16X100	+10	M10/12/16/20/24	Red/Yellow powder coating	
DLK2-LP-c-135-M16x2.0x100-GR	2600	135	35	M16X100	+10	M10/12/16/20/24	Red/Yellow powder coating	



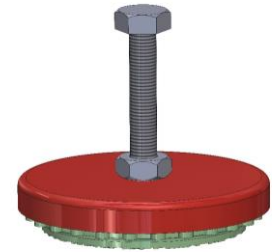
Construction Drawing



Mounting Configuration



Note : Please select Bolt Head as per the requirement



Model	Load Capacity Kg/pc	Diameter (D) mm	Height (H) mm	Bolt Size (mm)	Adjustment Range (mm)	Possible Bolts	Color	Applications
DLK3-LP-a-187-M20x2.5x150-GR	2900	187	35	M20X150	+10	M10/12/16/20/24	Red/Yellow powder coating	Textile Machines, CNC Machines, Power Presses, Plastic Injection Moulding Machines, Pressure Die Casting Machine, Printing Machines, Compressors, Grinding Machines and All Types of Heavy Industrial Applications.
DLK3-LP-b-187-M20x2.5x150-GR	3400	187	35	M20X150	+10	M10/12/16/20/24	Red/Yellow powder coating	
DLK3-LP-c-187-M20x2.5x150-GR	4200	187	35	M20X150	+10	M10/12/16/20/24	Red/Yellow powder coating	

Note : Black coating or Zinc coated bolts availability