

Dynemech

VIBRATION TECHNOLOGY




ANTIVIBRATION MOUNTS

**VIBRATION
CONTROL
OUR EXPERTISE
YOUR INDUSTRY
PRECISION
ALIGNMENT**

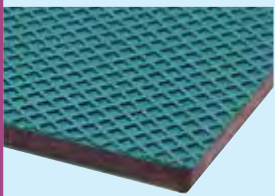
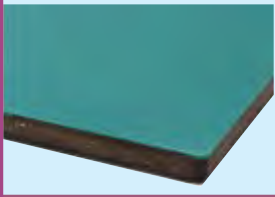
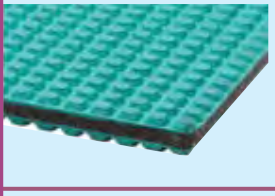
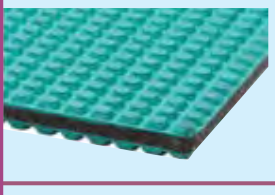
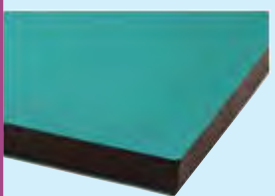
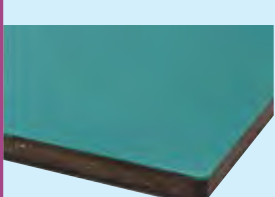
Quick Selling Products



RU-395, Near Power House, Main Outer Ring Road, Pitam Pura, Delhi-110034
Ph : +91-9911145131, Email : sales@dynemech.com

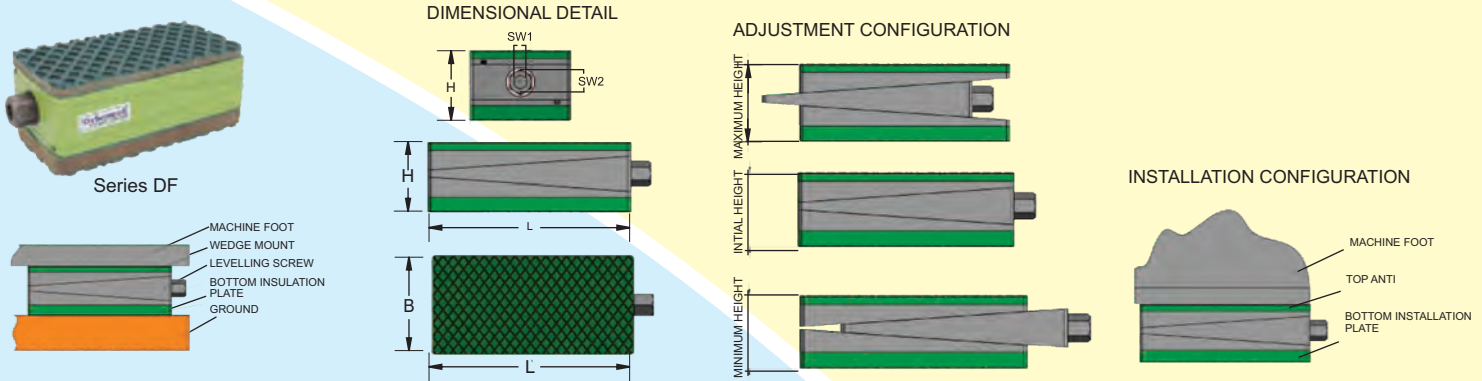
<p>VIBRATION INSULATION PLATES</p>  <p>Page No.1</p>	<p>WEDGE MOUNTS, Series : DF</p>  <p>Page No. 2</p>	<p>WEDGE MOUNT, Series : DB (Bolt on)</p>  <p>Page No. 3</p>	<p>HIGH PRECISION LEVELLING & ALIGNMENT MOUNTS, Series : DFL</p>  <p>Page No. 4</p>
<p>SCREW SUPPORT MOUNT, Series : DLC</p>  <p>Page No. 5</p>	<p>DYNEMECH SCREW SUPPORT MOUNT Series : DLC-p2-G-05</p>  <p>Page No. 6</p>	<p>SCREW SUPPORT LEVELLING MOUNTS, Series : DL / DLS</p>  <p>Page No. 7</p>	<p>SCREW SUPPORT MOUNT, Series : DLM/DLMS</p>  <p>Page No. 8</p>
<p>DYNEMECH SCREW SUPPORT MOUNT, Series : DLK / DLK-4</p>  <p>Page No. 9</p>	<p>DYNEMECH SCREW SUPPORT MOUNT, Series : DLK-LP</p>  <p>Page No. 10</p>	<p>DYNEMECH FLOOR MOUNTED OPEN SPRING ISOLATORS, Series : DOS-B</p>  <p>Page No. 11</p>	<p>LEVEL MOUNT, Series : DML</p>  <p>Page No. 11</p>
<p>HEAVY DUTY LEVELLING GRIP MOUNTS, Series : DRM</p>  <p>Page No. 12</p>	<p>MACHINERY RAISER DAMPING BLOCK, Series: DRS</p>  <p>Page No. 12</p>	<p>MACHINERY RAISER DAMPING BLOCKS, Series DR</p>  <p>Page No. 12</p>	<p>FLEXIFOOT MOUNT, Series : DGF</p>  <p>Page No. 13</p>
<p>SANDWICH MOUNT, Series : DMS</p>  <p>Page No. 14</p>	<p>SANDWICH MOUNT, Series : DSM</p>  <p>Page No. 14</p>	<p>STUD MOUNTS, Series : DS</p>  <p>Page No. 15-16</p>	<p>SHOCK RESISTANT TABLE / PLATFORM, Series : DIT-E</p>  <p>Page No. 17</p>
<p>ANTI-VIBRATION PLATFORM, Series: VIP- E</p>  <p>Page No. 17</p>	<p>SPRING ISOLATORS, Series : MAI / MBI</p>  <p>Page No. 18</p>	<p>ENCLOSED ROUND SPRING ELEMENTS WITH VISCOUS DAMPING SERIES : RAD-RT</p>  <p>Page No. 19</p>	<p>SERIES : RBD-RT</p>  <p>Page No. 19</p>
<p>SPRING ISOLATORS, Series : DSI</p>  <p>Page No. 20</p>	<p>SPRING ISOLATORS, SERIES : MAI-P5-TR1</p>  <p>Page No. 21</p>	<p>SPRING ISOLATORS, SERIES : RBD-OPSD WITH SAFETY VISCOUS DAMPING</p>  <p>Page No. 21</p>	<p>FLOOR MOUNTED OPEN SPRING ISOLATORS, Series : DOS</p>  <p>Page No. 22</p>
<p>HANGER TYPE SPRING ISOLATORS</p>  <p>Page No. 22</p>	<p>Spring Isolators, Series (Restrained Type): MAI-RSTD</p>  <p>Page No. 23</p>	<p>Spring Isolators Series (Restrained Type): MBI-RSTD</p>  <p>Page No. 23</p>	<p>Product Range Page No. 24-25</p>

Dynemech insulation plates are made from the compound of Nitrile Rubber, Cork, Synthetic Fibre which at varying compositions gives different natural frequencies for providing vibration damping solution to almost every machine tool. These Vibration Insulation plates are resistant to water, oils, lubricating oils, fuels etc. Used in the shop floor. The maximum available size for Dp1, Dp3 is 600x600mm. For all other types, it is 500x500mm. These sheets can be cut & supplied to any smaller sizes as per requirements.

	TYPE	LOAD Kg./Sq.cm.	THKS mm.	Natural Frequency Range (Hz).	Coeff. of Friction.	Working Temp. Range C ^o	Load Test
	Du	3-9	15	35-18	0.9	-20 to + 70	ASTM D575
	Dm	5-10	15	50-30	0.7	-20 to + 70	ASTM D575
	Dp1	1-4	15	20-7	0.8	-20 to + 70	ASTM D575
	Dp2	1-5	20	30-12	0.8	-20 to + 70	ASTM D575
	Ds2	2-8	25	35-8	0.8	-20 to + 70	ASTM D575
	Dh	10-35	15	70-45	0.6	-20 to + 70	ASTM D575

PRECISION LEVELLING MOUNTS

Dynemech Wedge Mounts, Series DF are designed for industrial machine tools that require precision levelling. This three piece wedge mount has an adjustable bolt which moves the centre wedge between top & bottom wedges. Anti-skid plate is provided on the top wedge therefore, machines are installed as free standing. Large supporting surface ensures solidity and rigidity. Vibration reduction is possible through assembling respective Dynemech Insulation plates.



Model	Load Kg/pc	Length (L) mm	Width (B) mm	Height (H) at mean position (mm)	Adjustment range (mm)	APPLICATIONS
DF1-u	400	105	55	60	8	Applications: Tool Room Machines, Plastic Injection Moulding Machines, Pressure Die Casting Machines, Shaper, Printing and Textile Machines etc.
DF2-u	900	150	75	63	10	
DF3-u	1500	200	100	70	10	
DF4-u	3200	200	200	73	12	
DF1-m	500	105	55	54	8	Applications: Lathe Machines, Machining Centres, Milling Machines, Precision Grinding Machines, Drilling Machines, Turning Centres, Transfer Lines etc.
DF2-m	1200	150	75	57	10	
DF3-m	2000	200	100	64	10	
DF4-m	4000	200	200	67	12	
DF1-l	600	105	55	70	8	Applications: Power Presses, Stamping Machines, Shearing Machines, Punching Machines. For machines with high vertical impact.
DF2-l	1500	150	75	73	10	
DF3-l	2500	200	100	80	10	
DF4-l	5200	200	200	83	12	
DF1-p1	230	105	55	54	8	Applications: Tuned to low natural frequency, suitable for passive vibration control of measuring & testing machines, grinders etc.
DF2-p1	450	150	75	57	10	
DF3-p1	800	200	100	64	10	
DF4-p1	1600	200	200	67	12	
DF1-p2	180	105	55	59	8	Applications: Measuring & Testing machines, surface plates, hardness testers, microscopes, EDM machines, profile projectors etc.
DF2-p2	400	150	75	62	10	
DF3-p2	725	200	100	69	10	
DF4-p2	1450	200	200	72	12	
DF1-p3	340	105	55	63	8	Applications: Tuned to low natural frequency, suitable for passive vibration control of measuring & testing machines, grinders etc.
DF2-p3	670	150	75	66	10	
DF3-p3	1200	200	100	73	10	
DF4-p3	2400	200	200	76	12	
DF1-s1	280	105	55	59	8	Applications: Tool Room Machines on suspended floors, light weight presses, compressor etc.
DF2-s1	560	150	75	62	10	
DF3-s1	1000	200	100	69	10	
DF4-s1	2000	200	200	72	12	
DF1-s2	350	105	55	64	8	Applications: Medium Presses, Punching Presses, Centreless Grinding Machines, Gear Shapers, High Speed Machines on upper floors.
DF2-s2	800	150	75	67	10	
DF3-s2	1400	200	100	74	10	
DF4-s2	2800	200	200	77	12	
DF1-h	1740	105	55	60	8	Applications: Very heavy and long bed machines, long machines centres, planners etc.
DF2-h	3380	150	75	63	10	
DF3-h	6000	200	100	70	10	
DF4-h	12000	200	200	73	12	
DF1-a2	570	105	55	53	8	Applications: For levelling of precision machines.
DF2-a2	1120	150	75	56	10	
DF3-a2	2000	200	100	63	10	
DF4-a2	4000	200	200	66	12	
DF1	1200	105	55	37	8	Applications: For levelling of precision machines.
DF2	3000	150	75	40	10	
DF3	5000	200	100	47	10	
DF4	10400	200	200	50	12	

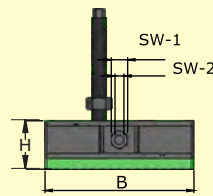
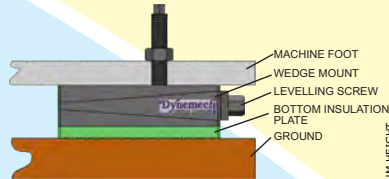
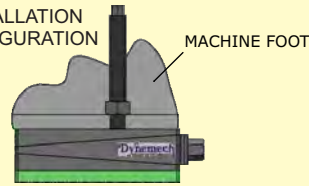
Precision Levelling Mount

Dynemech Wedge mounts, Series DB are designed for industrial machine tools that require precision levelling, vibration reduction, and/or need to be firmly mounted with the isolator.

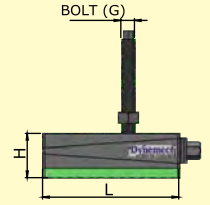
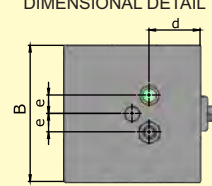


DB (BOLT ON) Series

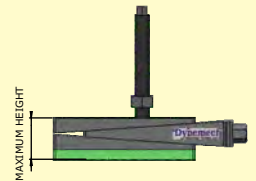
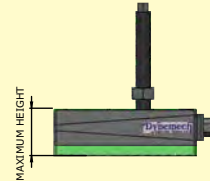
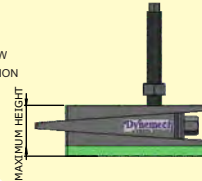
INSTALLATION CONFIGURATION



DIMENSIONAL DETAIL



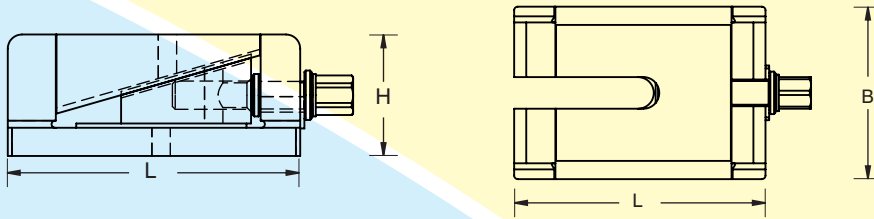
ADJUSTMENT CONFIGURATION



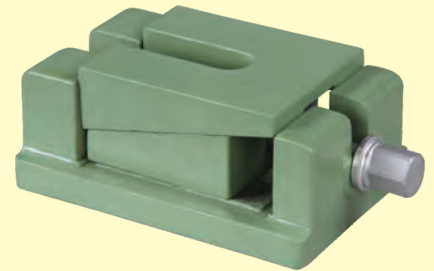
Model mm	Load Kg/pc	Length (L) mm	Width (B)	Height (H) at mean position (mm)	d (mm)	e (mm)	Bolt size (mm)	Adjustment range (mm)	APPLICATIONS
DB0-u	900	100	100	53	42	23	M12	+3/-3	Applications: Tool Room Machines, Plastic Injection Moulding Machines, Pressure Die Casting Machines, Shaper, Printing and Textile Machines etc.
DB1-u	1100	115	115	59	50	24	M16	+4/-4	
DB2-u	1800	150	150	65	60	23	M18	+5/-5	
DB3-u	3200	200	200	65	75	27	M20	+6/-6	Applications: Lathe Machines, Machining Centres, Milling Machines, Precision Grinding Machines, Drilling Machines, Turning Centres, Transfer Lines etc.
DB0-m	1000	100	100	53	42	23	M12	+3/-3	
DB1-m	1400	115	115	59	50	24	M16	+4/-4	
DB2-m	2200	150	150	65	60	23	M18	+5/-5	Applications: Power Presses, Stamping Machines, Shearing Machines, Punching Machines. For machines with high vertical impact.
DB3-m	4000	200	200	65	75	27	M20	+6/-6	
DB0-i	1400	100	100	63	42	23	M12	+3/-3	
DB1-i	1800	115	115	69	50	24	M16	+4/-4	Applications: Tuned to low natural frequency, suitable for passive vibration control of measuring & testing machines, grinders etc.
DB2-i	2900	150	150	75	60	23	M18	+5/-5	
DB3-i	5200	200	200	75	75	27	M20	+6/-6	
DB0-p1	400	100	100	53	42	23	M12	+3/-3	Applications: Measuring & Testing machines, surface plates, hardness testers, microscopes, EDM machines, profile projectors etc.
DB1-p1	530	115	115	59	50	24	M16	+4/-4	
DB2-p1	900	150	150	65	60	23	M18	+5/-5	
DB3-p1	1600	200	200	65	75	27	M20	+6/-6	Applications: Tuned to low natural frequency, suitable for passive vibration control of measuring & testing machines, grinders etc.
DB0-p2	500	100	100	58	42	23	M12	+3/-3	
DB1-p2	660	115	115	64	50	24	M16	+4/-4	
DB2-p2	1120	150	150	70	60	23	M18	+5/-5	Applications: Tool Room Machines on suspended floors, light weight presses, compressor etc.
DB3-p2	2000	200	200	70	75	27	M20	+6/-6	
DB0-p3	600	100	100	62	42	23	M12	+3/-3	
DB1-p3	790	115	115	68	50	24	M16	+4/-4	Applications: Medium Presses, Punching Presses, Centreless Grinding Machines, Gear Shapers, High Speed Machines on upper floors.
DB2-p3	1350	150	150	74	60	23	M18	+5/-5	
DB3-p3	2400	200	200	74	75	27	M20	+6/-6	
DB0-s1	500	100	100	58	42	23	M12	+3/-3	Applications: Very heavy and long bed machines, long machines centres, planners etc.
DB1-s1	600	115	115	64	50	24	M16	+4/-4	
DB2-s1	1000	150	150	70	60	23	M18	+5/-5	
DB3-s1	1800	200	200	70	75	27	M20	+6/-6	Applications: For levelling of precision machines.
DB0-s2	800	100	100	63	42	23	M12	+3/-3	
DB1-s2	950	115	115	69	50	24	M16	+4/-4	
DB2-s2	1600	150	150	75	60	23	M18	+5/-5	Applications: For levelling of precision machines.
DB3-s2	2800	200	200	75	75	27	M20	+6/-6	
DB0-h	3000	100	100	53	42	23	M12	+3/-3	
DB1-h	3970	115	115	59	50	24	M16	+4/-4	Applications: For levelling of precision machines.
DB2-h	6750	150	150	65	60	23	M18	+5/-5	
DB3-h	12000	200	200	65	75	27	M20	+6/-6	
DB0-a2	1000	100	100	46	42	23	M12	+3/-3	Applications: For levelling of precision machines.
DB1-a2	1300	115	115	52	50	24	M16	+4/-4	
DB2-a2	2250	150	150	58	60	23	M18	+5/-5	
DB3-a2	4000	200	200	58	75	27	M20	+6/-6	Applications: For levelling of precision machines.
DB0	2600	100	100	38	42	23	M12	+3/-3	
DB1	3600	115	115	44	50	24	M16	+4/-4	
DB2	5800	150	150	50	60	23	M18	+5/-5	
DB3	10400	200	200	50	75	27	M20	+6/-6	

Precision Levelling Mounts

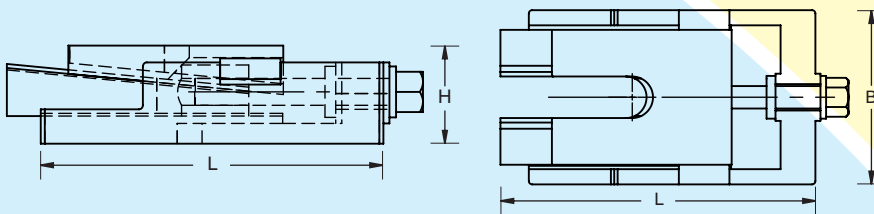
The DLF series mounts are made from a high grade casting body. Large supporting surface and high levelling adjustment is available. The slot in the middle allows placement of these mounts after the grouting bolts are fixed in the foundation, Suitable for VTL long bedded CNC machines, large boring machines, plano miller etc.



S.No.	Model	Load Capacity (Kg.)	Length L (mm)	Width B (mm)	Height H (mm)	Max. Torque value (mm)	Adjustment Range(mm)
1.	DFL1-S1-SP1	8000	207	142	86	554	13



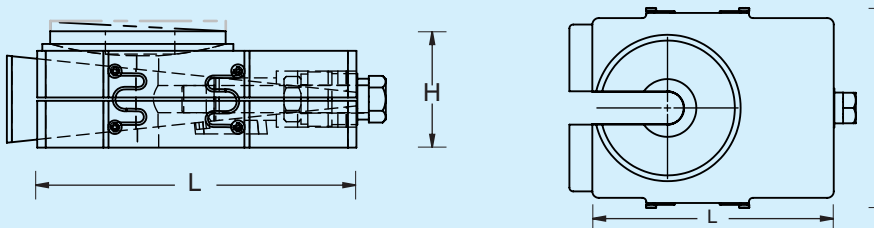
DFL1-S1-SP1



S.No.	Model	Load Capacity (Kg.)	Length L (mm)	Width B (mm)	Height H (mm)	Max. Torque value (mm)	Adjustment Range(mm)
1.	DFL2-S1	4000	255	155	73	216	5



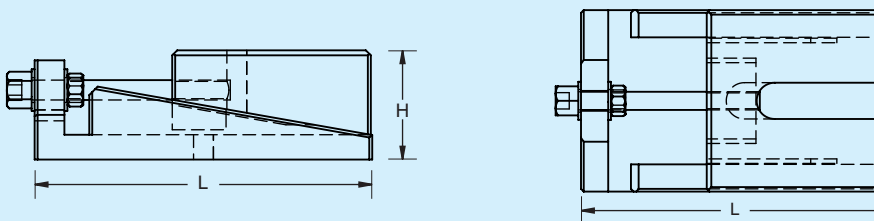
DFL2-S1



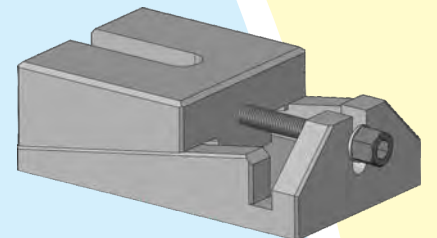
S.No.	Model	Load Capacity (Kg.)	Length L (mm)	Width B (mm)	Height H (mm)	Max. Torque value (mm)	Adjustment Range(mm)
1.	DFL1-S3	12200	188	140	68.3	603	6



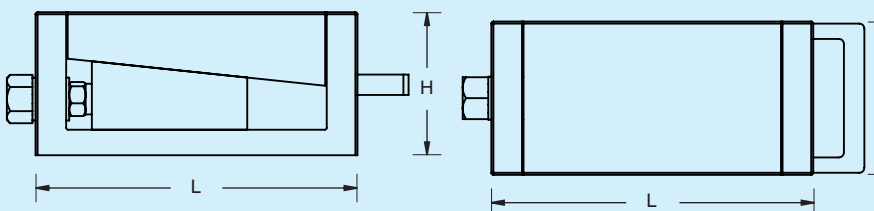
DFL1-S3



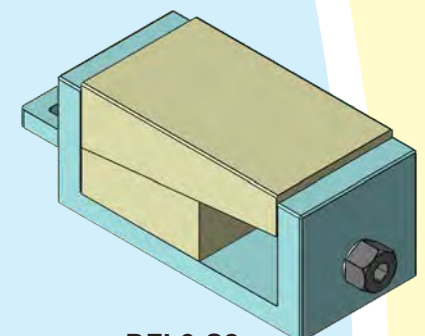
S.No.	Model	Load Capacity (Kg.)	Length L (mm)	Width B (mm)	Height H (mm)	Max. Torque value (mm)	Adjustment Range(mm)
1.	DFL4	17000	340	200	113	1090	15



DFL4



S.No.	Model	Load Capacity (Kg.)	Length L (mm)	Width B (mm)	Height H (mm)	Max. Torque value (mm)	Adjustment Range(mm)
1.	DFL3-S2	20000	315	150	140	1748	8



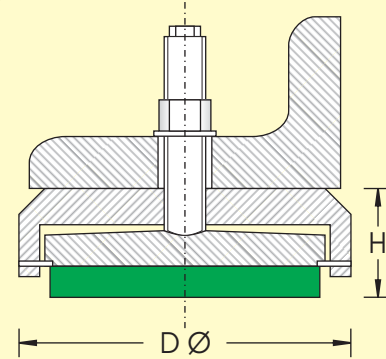
DFL3-S2

Screw Support Levelling Mounts

DLC Series mounts are simple and effective vibration dampers for machines with respective holes in the base. These mounts offer both low frequency attenuation and stable machine levelling.



DLC Series



Model	Load Capacity Kg/pc	Diameter (D) mm	Height (H) mm	Bolt (mm)	Adjustment Range (mm)
DLC1-i	250	65	40	M12X100	+3
DLC2-i	575	98	47	M12X100	+4
DLC3-i	1000	125	54	M16X100	+4
DLC4-i	1600	150	56	M16X100	+5
DLC5-i	2300	180	58	M18X150	+5
DLC6-i	3100	204	62	M20X150	+6
DLC7-i	4000	235	67	M20X150	+6
DLC8-i	5200	270	82	M24X200	+9
DLC9-i	6500	302	94	M24X200	+9
DLC1-p2	80	65	35	M12X100	+3
DLC2-p2	220	98	42	M12X100	+4
DLC3-p2	410	125	49	M16X100	+4
DLC4-p2	620	150	51	M16X100	+5
DLC5-p2	900	180	53	M18X150	+5
DLC6-p2	1200	204	57	M20X150	+6
DLC7-p2	1600	235	62	M20X150	+6
DLC8-p2	2000	270	77	M24X200	+9
DLC9-p2	2600	302	89	M24X200	+9
DLC1-s2	125	65	40	M12X100	+3
DLC2-s2	300	98	47	M12X100	+4
DLC3-s2	550	125	54	M16X100	+4
DLC4-s2	850	150	56	M16X100	+5
DLC5-s2	1250	180	58	M18X150	+5
DLC6-s2	1700	204	62	M20X150	+6
DLC7-s2	2200	235	67	M20X150	+6
DLC8-s2	2800	270	82	M24X200	+9
DLC9-s2	3500	302	94	M24X200	+9

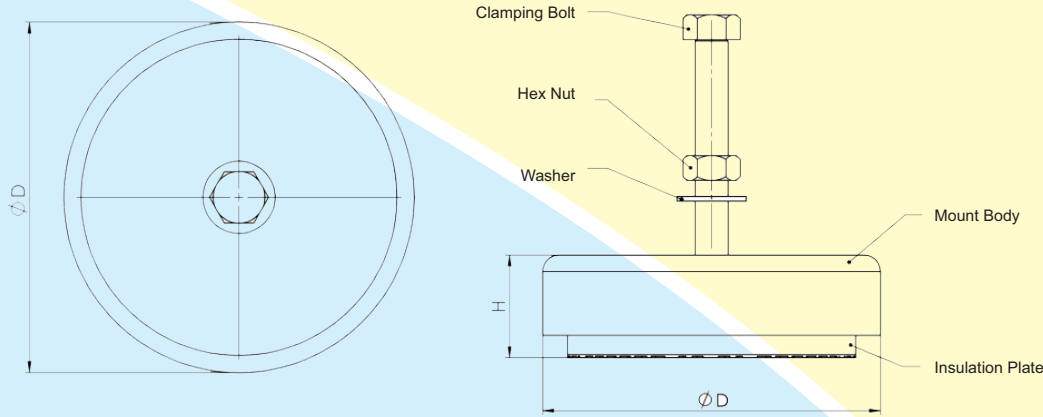
Applications: Power Presses, Stamping Machines, Shearing Machines, Punching Machines.
For machines with high vertical impact.

DLC1-h (P)	460	65	30	M12X100	+3
DLC2-h (P)	1330	98	37	M12X100	+4
DLC3-h (P)	2450	125	44	M16X100	+4
DLC4-h (P)	3680	150	46	M16X100	+5
DLC5-h (P)	5300	180	48	M18X150	+5
DLC6-h (P)	7140	204	52	M20X150	+6
DLC7-h (P)	9700	235	57	M20X150	+6
DLC8-h (P)	11930	270	72	M24X200	+9
DLC9-h (P)	15690	302	84	M24X200	+9

Applications : Very Heavy and long bed machines, long machining centres, planners etc.

Screw Support Levelling Mounts

The various presses, shears, stamping or ,moulding machines in metal processing shop floor generally generate vibrations that disturb the surroundings. Dynemech Press Mount series DLC-p2-G05 provides effective isolation of impact and operating vibrations. The customized insulation plate Series Dp2-G05 engineered with special profile ensures higher grip and higher vibration isolation for impact generating machine, having medium range of natural frequency.



DLC-p2-G-05 Series

S. No.	Model	Load Capacity kG/PC	Diameter D mm	Height H mm	Bolt (mm)	Adjustment Range (mm)	Bottom Pad Type	Bottom Pad Thickness (mm)	Coeff. of Friction against Concrete	Natural Frequency at Max. Load (Hz)
1	DLC1-p2-G-05	250	65	35	M12X100	6	Dp2-G-05	20	0.8	12
2	DLC2-p2-G-05	575	98	42	M12X100	8	Dp2-G-05	20	0.8	12
3	DLC3-p2-G-05	1000	125	49	M16X100	8	Dp2-G-05	20	0.8	12
4	DLC4-p2-G-05	1600	150	51	M16X100	10	Dp2-G-05	20	0.8	12
5	DLC5-p2-G-05	2300	180	53	M18X150	10	Dp2-G-05	20	0.8	12
6	DLC6-p2-G-05	3100	204	57	M20X150	12	Dp2-G-05	20	0.8	12
7	DLC7-p2-G-05	4000	235	62	M20X150	12	Dp2-G-05	20	0.8	12
8	DLC8-p2-G-05	5200	270	77	M24X200	18	Dp2-G-05	20	0.8	12
9	DLC9-p2-G-05	6500	302	89	M24X200	18	Dp2-G-05	20	0.8	12

Technical Specifications of DP2-G-05 Insulation Plate

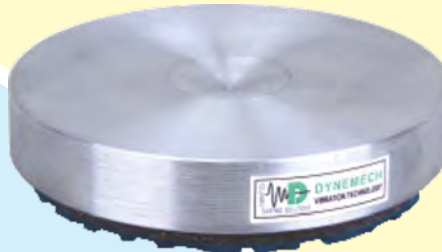
S.No.	Properties	Values
1	Load (Kg/sq.cm)	01-05
2	Natural Frequency (Hz)	12-30
3	Thickness (mm)	20
4	Coefficient of Friction	0.8
5	Shore A Hardness	70-75
6	Working Temp. Range (Degree Celsius)	-20 to +70
7	Oil & Chemical Resistance	Resistance to fuels, lubricating oils, cutting oils, water & ozone
8	Construction	composite material made from natrlc rubber, cork particles & polyester fiber. The composite material ensures high damping capacity, high compressive strength & high load capacities

Dynemech DL series is used for light to medium weight machines suited to levelling screw support or having tapped hole in the base.

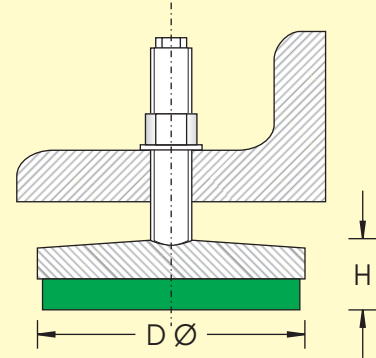
Dynemech DLS series mounts, developed in stainless steel finds application in pharmaceutical, food and beverages processing and packaging units, medical equipment manufacturing and chemical processing industries. Provide vibration isolation with complete hygienic seal and corrosion resistance.



DL Series



DLS Series



Model	Load Capacity Kg/pc	Diameter (D) mm	Height (H) mm	Bottom pad Type	Bottom pad Thickness (mm)	Coeff. of Friction against Concrete	Natural Frequency at Max. Load (Hz)
DL1-u	150	55	21	Du	15	0.9	18
DL2-u	350	85	28	Du	15	0.9	18
DL3-u	600	112	28	Du	15	0.9	18
DL4-u	900	135	30	Du	15	0.9	18
DL5-u	1400	160	30	Du	15	0.9	18
DL6-u	1900	185	34	Du	15	0.9	18

Applications: Tool Room Machines, Plastic Injection Moulding Machines, Pressure Die Casting Machines, Shaper, Printing and Textile Machines etc.

DL1-m	190	55	21	Dm	15	0.7	30
DL2-m	450	85	28	Dm	15	0.7	30
DL3-m	800	112	28	Dm	15	0.7	30
DL4-m	1150	135	30	Dm	15	0.7	30
DL5-m	1750	160	30	Dm	15	0.7	30
DL6-m	2400	185	34	Dm	15	0.7	30

Applications: Power Presses, Stamping Machines, Shearing Machines, Punching Machines. For machines with high vertical impact.

DL1-s2	125	55	31	Ds2	25	0.8	8
DL2-s2	300	85	38	Ds2	25	0.8	8
DL3-s2	550	112	38	Ds2	25	0.8	8
DL4-s2	850	135	40	Ds2	25	0.8	8
DL5-s2	1250	160	40	Ds2	25	0.8	8
DL6-s2	1700	185	44	Ds2	25	0.8	8

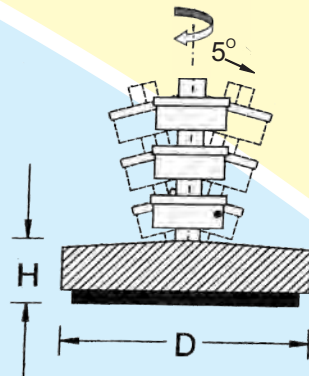
Applications: Power Presses, Stamping Machines, Shearing Machines, Punching Machines. For machines with high vertical impact.

Elastomeric Machinery Mounts

Dynemech DLM/DLMS series mounts, developed in low carbon steel and stainless steel respectively are simple and effective vibration dampers for machines with respective holes in the base. These mounts offer low frequency attenuation, stable machine levelling and vibration reduction. The flexible levelling screw accommodates uneven/sloped surfaces. Series DLMS is used where stainless steel is desired for environmental reasons like in pharmaceutical, food and beverages processing and packaging units, medical equipments manufacturing and chemical processing industries.

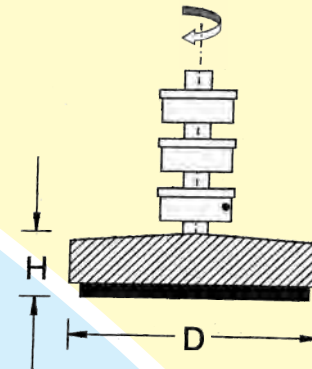


DLM/DLMS Series



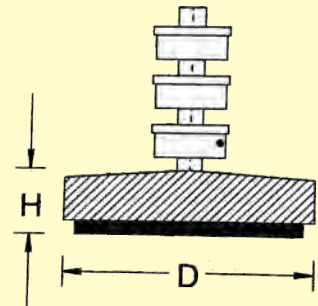
Type-M

One nut fixed with bolt & two nuts free



Type-RA

One nut fixed with bolt & two nuts free



Type-F

Two free nuts & bolt fixed

These are available in three variants of M, RA and F.

Type M - The bolt can rotate on its axis and moves radially provides compensation of ground unevenness of up to 5° and simple levelling with a great levelling range. The levelling is done by rotating the hex provided at the base of the bolt just above the mount body. Machine base must have a tapped hole. One free nut and washer is provided for clamping after the levelling is completed.

Type RA - The bolt can rotate on its axis and provides simple levelling with a great levelling range. The levelling is done by rotating the hex provided at the base of the bolt just above the mount body. Machine base must have a tapped hole. One free nut and washer is provided for clamping after the levelling is completed.

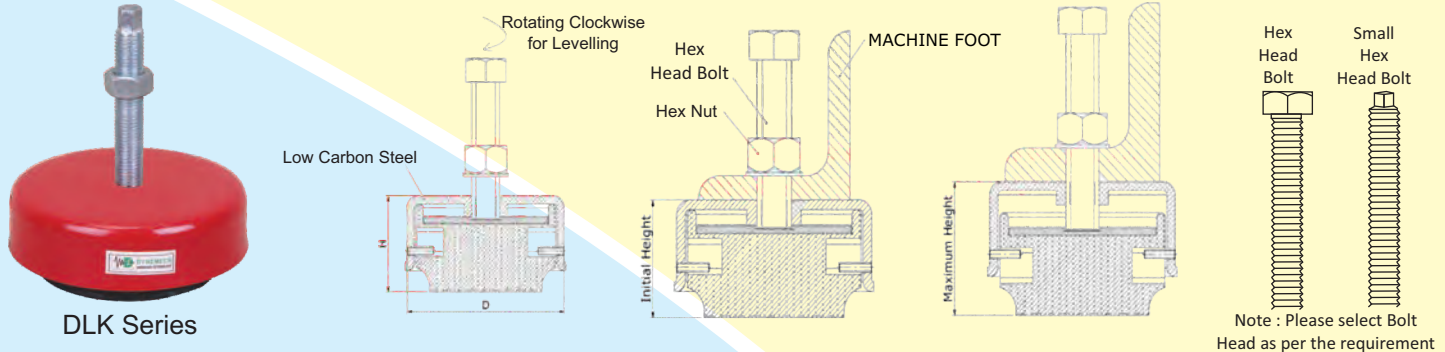
Type F - The bolt is fixed with the mount body. Two free nuts and a washer is provided. Machine base rests over the bottom nut and washer. Levelling is done by rotating the bottom nut. Machine base must have plain holes. The top nut is used for clamping after the levelling is completed.

Model	Load Capacity Kg/pc	Dia (D) mm	H (mm)	Bolt size
DLM1-u	150	55	21	M16X100
DLM2-u	350	85	28	M16X100
DLM3-u	600	112	28	M16X150
DLM1-m	205	55	21	M16X100
DLM2-m	440	85	28	M16X100
DLM3-m	790	112	28	M16X150
DLM1-i	290	55	31	M16X100
DLM2-i	620	85	38	M16X100
DLM3-i	1100	112	38	M16X150
DLM1-p2	100	55	26	M16X100
DLM2-p2	200	85	29	M16X100
DLM3-p2	400	112	33	M16X150
DLM1-s2	125	55	31	M16X100
DLM2-s2	300	85	34	M16X100
DLM3-s2	550	112	38	M16X150
DLM1-a2	190	55	14	M16X100
DLM2-a2	450	85	21	M16X100
DLM3-a2	800	112	21	M16X150

Note : Bolt size many vary as per the customer requirement.

Elastomeric Machinery Mounts

Dynemech screw support mounts series DLK are simple and effective vibration dampers for machines with respective holes in the base. these mounts offer both low frequency attenuation and stable machine levelling. the DLK series vibration damping and levelling mounts provide fast and easy installation of machines. DLK series anti vibrations mounts have low carbon steel body and are used for machines having mounting holes in the base. this levelling mount has a cover plate and dimpled bottom plate holding the insulation plate. levelling is done by tightening the bolt which lifts the cover plate with the machine base.

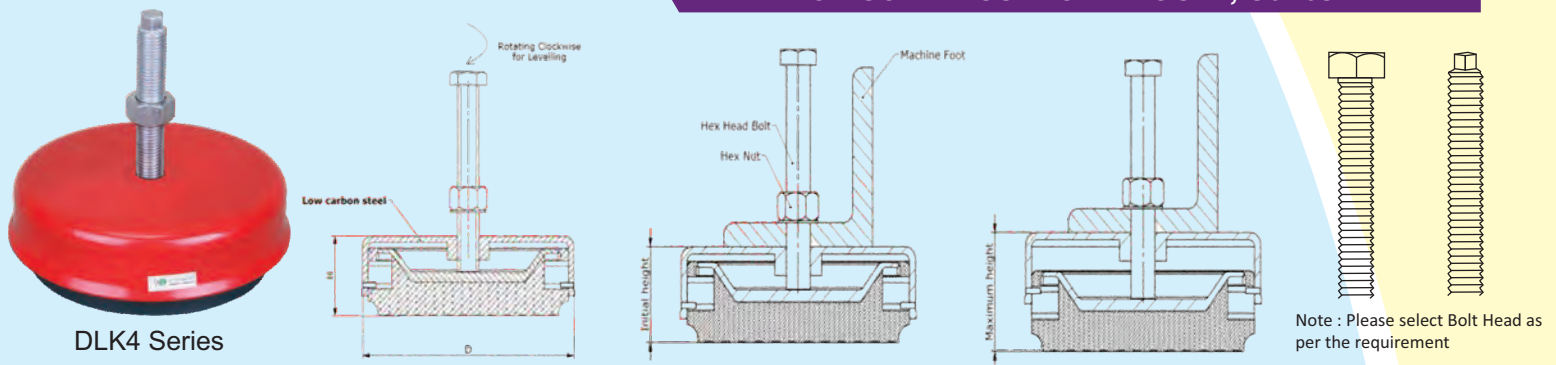


DLK Series

Model	Load Capacity Kg/pc	Bolt Size (mm)	D (mm)	Height (H) (mm)	Levelling Adjustment Range (mm)	Applications
DLK1-a	580	M12X100	92	50	+10	Textile Machines, CNC Machines, Power Presses, Plastic Injection Moulding Machines, Pressure Die Casting Machine, Printing Machines, Compressors, Grinding Machines and All Types of Heavy Industrial Applications.
DLK1-b	750	M12X100	92	50	+10	
DLK1-c	900	M12X100	92	50	+10	
DLK2-a	1200	M16X100	135	50	+10	
DLK2-b	1900	M16X100	135	50	+10	
DLK2-c	2600	M16X100	135	50	+10	
DLK3-a	2900	M20X150	195	58	+12	
DLK3-b	3400	M20X150	195	58	+12	
DLK3-c	4200	M20X150	195	58	+12	
DLKH2-c	2600	M16X100	135	62	+20	
DLKH3-c	4200	M20X150	195	72	+20	

Note : Black coating or Zinc coated bolts availability

DYNEMECH SCREW SUPPORT MOUNT, Series : DLK-4



DLK4 Series

Dynemech screw support mounts series DLK-4 are suitable for heavy machine installations. They provide additional damping in shear and radial directions.

Model	Load Capacity Kg/pc	Bolt Size (mm)	D (mm)	Height (H) (mm)	Levelling Adjustment Range (mm)	Applications
DLK4-a	4000	M24X150	238	78	+20	Textile Machines, CNC Machines, Power Presses, Plastic Injection Moulding Machines, Pressure Die Casting Machine, Printing Machines, Compressors, Grinding Machines and All Types of Heavy Industrial Applications.
DLK4-b	5000	M24X150	238	78	+20	
DLK4-c	6000	M24X150	238	78	+20	

Note : DLK-4 Series Bolt Sizes M-10, M-12, M16, M20, M24, M30 possible on special request.

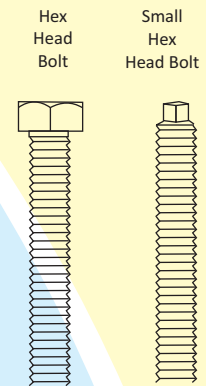
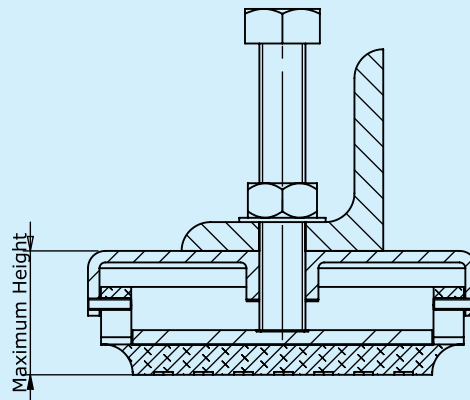
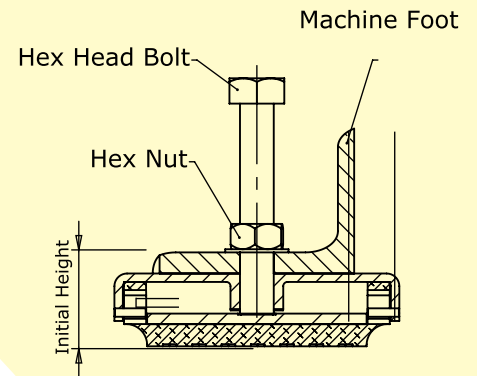
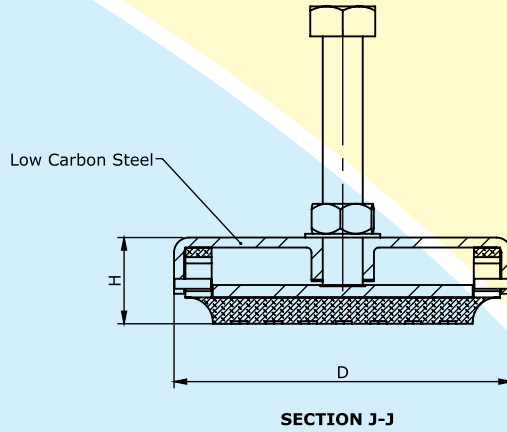
Note : Black coating or Zinc coated bolts availability

Elastomeric Machinery Mounts

Dynemech Screw Support Mounts series DLK-LP are simple and effective vibration dampers for machines with respective holes in the base. These mounts offer both low frequency attenuation and stable machine levelling. The DLK-LP Series has a lower height for fast and easy installation of machines. DLK-LP Series anti vibrations mounts have low carbon steel body and are used for machines having mounting holes in the base. This levelling mount has a cover plate and dimpled bottom plate holding the insulation plate. Levelling is done by tightening the bolt which lifts the cover plate with the machine base.



DLK-LP Series



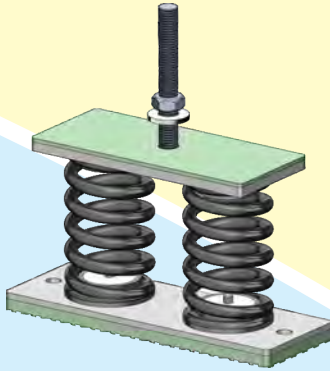
Note : Please select Bolt Head as per the requirement

Model	Load Capacity Kg/pc	Bolt Size (mm)	D (mm)	Height (H) (mm)	Levelling Adjustment Range (mm)	Applications
DLK1-LP-a	580	M12X100	93	36	+10	Textile Machines, CNC Machines, Power Presses, Plastic Injection Moulding Machines, Pressure Die Casting Machine, Printing Machines, Compressors, Grinding Machines and All Types of Heavy Industrial Applications.
DLK1-LP-b	750	M12X100	93	36	+10	
DLK1-LP-c	900	M12X100	93	36	+10	
DLK2-LP-a	1200	M16X100	135	34.5	+10	
DLK2-LP-b	1900	M16X100	135	34.5	+10	
DLK2-LP-c	2600	M16X100	135	34.5	+10	
DLK3-LP-a	2900	M20X150	187	34.5	+10	
DLK3-LP-b	3400	M20X150	187	34.5	+10	
DLK3-LP-c	4200	M20X150	187	34.5	+10	

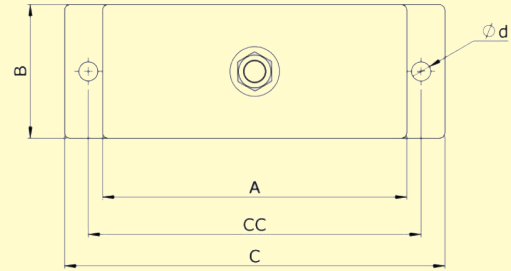
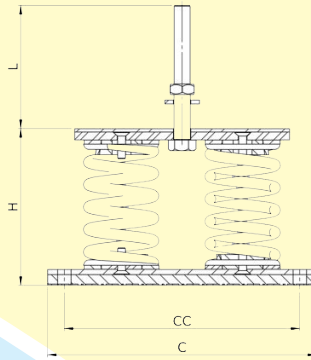
Note : DLK-LP Series Bolt Sizes M-10, M-12, M16, M20, M24, M30 possible on special request.

Note : Black coating or Zinc coated bolts availability

Open Type Spring Isolators



DOS Series



S. No.	Part No.	Rated Load (Kg)	Deflection at Rated Load (mm)	Height at maximum Load (mm)	Dimensions (mm)							
					A	B	C	CC	H	L	BOLT	Ød
1	DOS-B-5	62	25	86	160	70	200	175	111	91	M12	11
2	DOS-B-6	122	25	86	160	70	200	175	111	91	M12	11
3	DOS-B-7	218	25	86	160	70	200	175	111	91	M12	11
4	DOS-B-7.5	314	25	86	160	70	200	175	111	91	M12	11
5	DOS-B-8	420	25	86	160	70	200	175	111	91	M12	11
6	DOS-B-10	600	25	86	190	90	230	175	111	91	M12	11
7	DOS-B-12	1000	25	86	190	90	230	205	111	91	M12	11
8	DOS-B-17	2800	9	102	190	90	230	205	111	91	M12	11

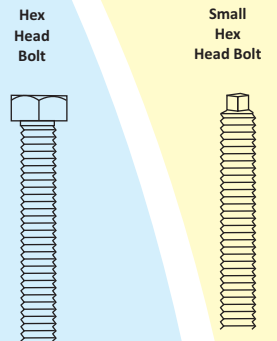
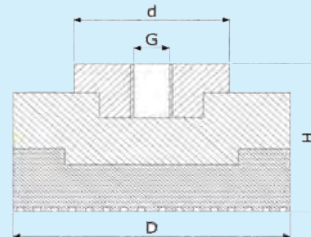
LEVEL MOUNT, Series : DML

Elastomeric Machine Mounts

Dynemech Mac Level, Series DML is suitable for high speed rotating machines having small or no axial forces.



DLM Series



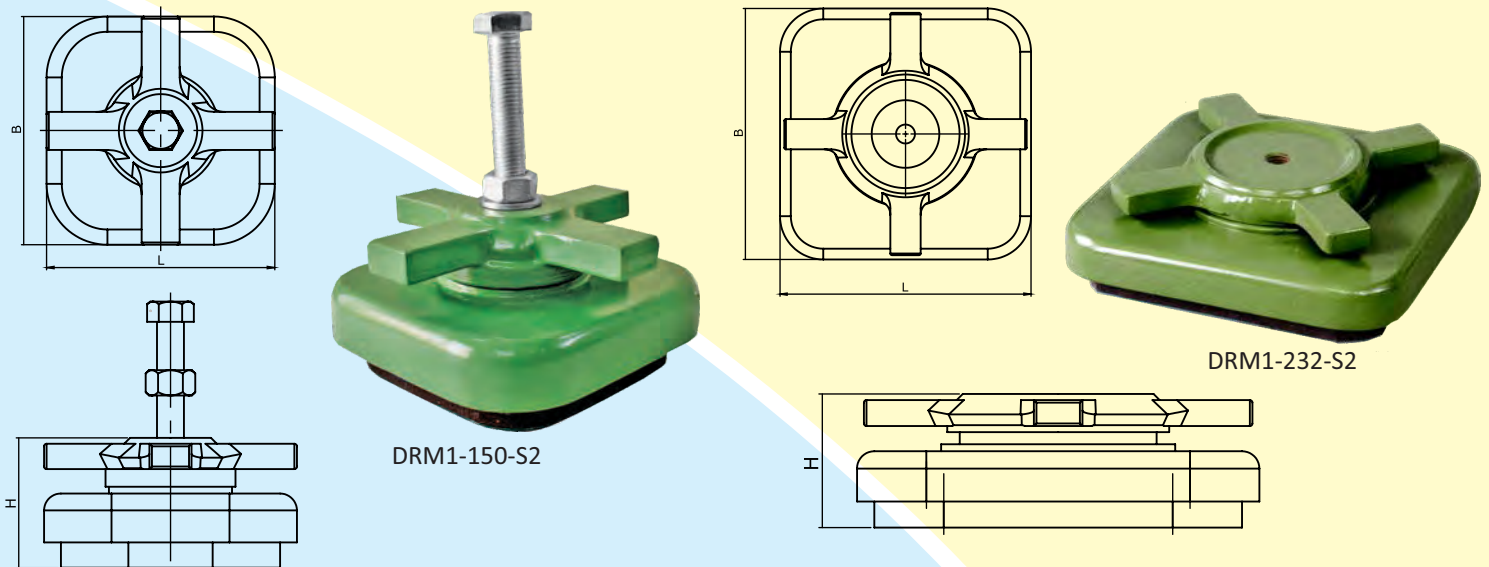
Note : Please select Bolt Head as per the requirement

Model	Max. Load Capacity (Kg)	D (mm)	H (mm)	d (mm)	Levelling Adjustment Range (mm)	Natural Frequency (Hz)	G
DML-1	175	50	40	32	+10	7	M10
DML-2	500	80	47	45	+12	7	M12
DML-3	1200	120	53	60	+12	7	M16
DML-4	2000	160	58	90	+20	8	M16
DML-5	4000	200	63	120	+20	8	M20

Note : Black coating or Zinc coated bolts availability

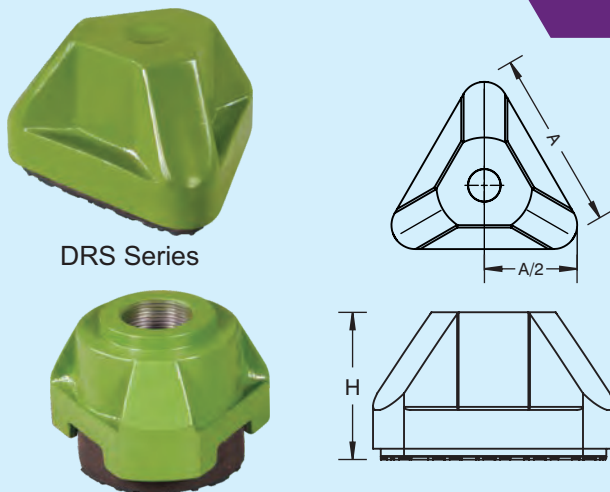
Heavy Duty levelling Mounts

DRM mounts levelling is done using a large lever screw. This screw transmits static and dynamic load of the machine on a larger area and thus provides greater stability to the machine. The levelling lever requires lesser torque for lifting the machine while levelling.



Sl. no.	Model	Load kg/pc	length L (mm)	Width B (mm)	Height H (mm)	Levelling Adjustment
1	DRM1-150-S2	1000	150	150	77	20
2	DRM2-232-S2	3300	232	232	77	20

MACHINERY RAISER DAMPING BLOCK, Series: DRS

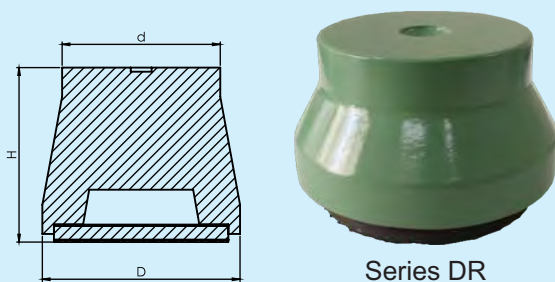


DRS series mounts are available in different heights as per the required ground clearance. The options of threading and dimple are available for levelling the machine. The vibration reduction is done using vibration isolation sheet of tuned natural frequency under the base of this mount.

S.No.	Model	Load kg/pc	Height H (mm)	A (mm)	Dimple	Natural Frequency	coefficient of friction
1	DRS1-50-m	1160	50	150	28	30	0.7
2	DRS1-65-h	3450	65	150	27	45	0.6
3	DRS1-95-h	3450	95	150	27	45	0.6
4	DRS1-100-h	3450	100	150	32	45	0.6
5	DRS2-65-h-u	7200	65	150	32	45	0.6

*Dimple size can be customized as per available bolt size.

MACHINERY RAISER DAMPING BLOCKS, Series DR



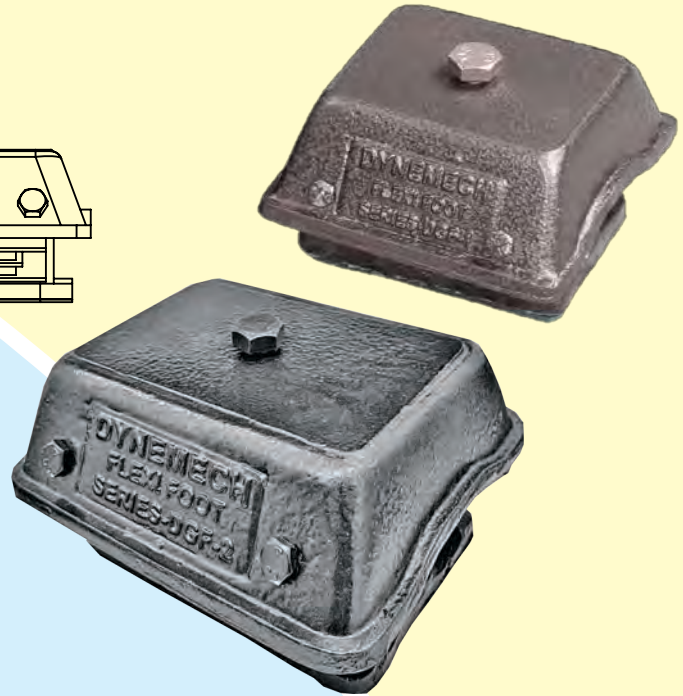
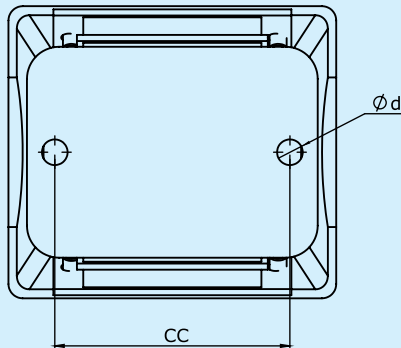
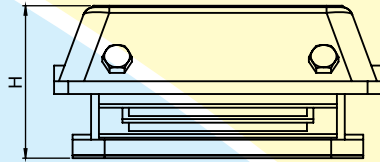
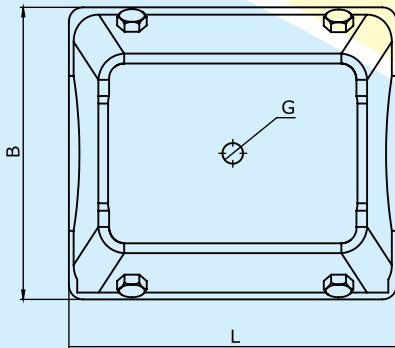
DYNEMECH Series DR, are suitable for machines having tapped hole in the base. The bolt rests over the dimple provided on the top face of the mount. Dimple size is provided as per the bolt diameter in the machine base.

Model	Load Capacity Kg/pc	Model	Load Capacity Kg/pc	Model	Load Capacity Kg/pc	Model	Load Capacity Kg/pc	Model	Load Capacity Kg/pc	Dia (D) (mm)	H u/m/h (mm)	H s1 (mm)	H s2 (mm)	D mm
DR1-u	350	DR1-m	450	DR1-h	1200	DR1-s2	300	DR1-s1	200	109	100/150	105/155	110/160	87
DR2-u	600	DR2-m	800	DR2-h	2400	DR2-s2	550	DR2-s1	375	150	100/150	105/155	110/160	108
DR3-u	900	DR3-m	1150	DR3-h	3500	DR3-s2	850	DR3-s1	575	170	100/150	105/155	110/160	136

COMPRESSION SHEAR MOUNT

Dynemech Flexi Foot Mounts, Series DGF is well suited for machines requiring vibration damping in both compression and shear. An anti skid plate is provided in the base of the mount to prevent machine walking. These mounts can also be anchored to the floor through the holes provided in the base for machines producing high unbalance forces.

Applications: Generators, Blowers, Pumps, ID & FD Fans, Cooling Towers, etc.

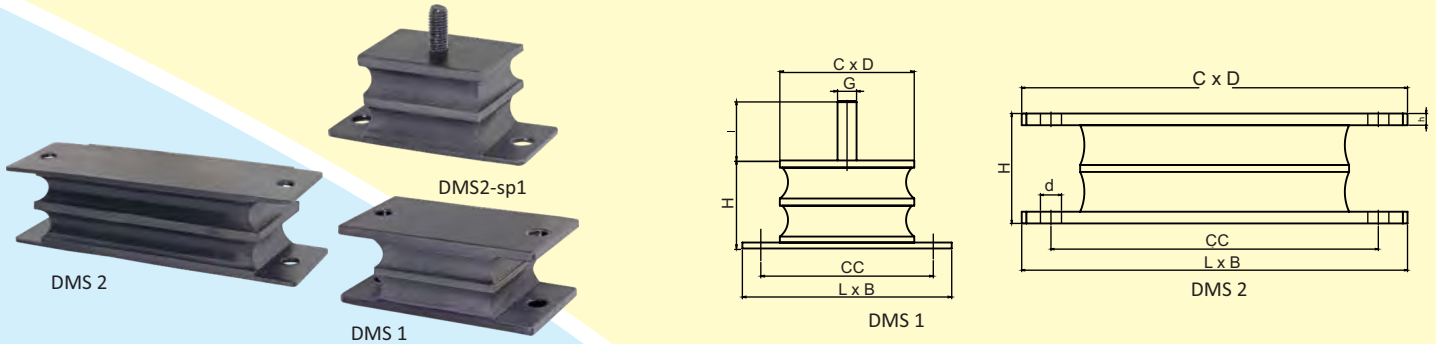


DGF Series

S. NO.	MODEL	Max Load (Kg)	L (mm)	B (mm)	H (mm)	Bolt (G)	CC (mm)	dØ	Natural Frequency at Max. Load (Hz)
1	DGF0-A	60	100	100	85	M10	73	12	6.0
2	DGF0-B	75	100	100	85	M10	73	12	6.0
3	DGF0-C	120	100	100	85	M10	73	12	6.5
4	DGF0-D	200	100	100	85	M10	73	12	6.5
5	DGF0-E	250	100	100	85	M10	73	12	7.0
6	DGF1-A-UNM	75	129	129	72	M12	89	11	6.0
7	DGF1-B-UNM	100	129	129	72	M12	89	11	6.0
8	DGF1-C-UNM	150	129	129	72	M12	89	11	6.5
9	DGF1-D-UNM	225	129	129	72	M12	89	11	6.5
10	DGF1-E-UNM	300	129	129	72	M12	89	11	6.5
11	DGF2-A-RTH	250	230	205	109	M16	165	18	6.5
12	DGF2-B-RTH	500	230	205	109	M16	165	18	6.5
13	DGF2-C-RTH	850	230	205	109	M16	165	18	7.0
14	DGF2-D-RTH	1100	230	205	109	M16	165	18	7.0
15	DGF2-E-RTH	1575	230	205	109	M16	165	18	7.0

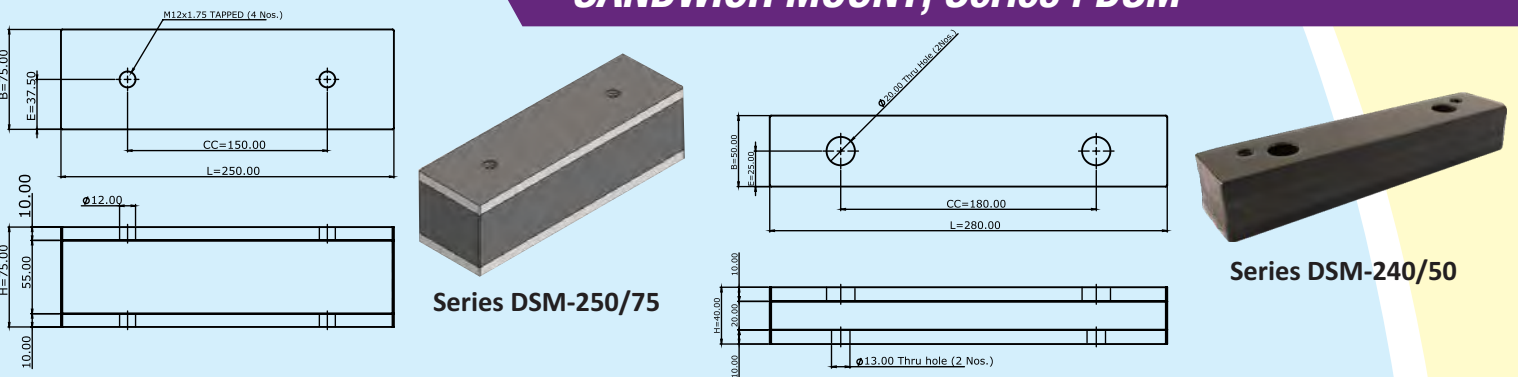
Compression Shear Mounts

The sandwich mounts comprise one or more layers of elastomer bonded to flat steel plates. They are designed to withstand very high compressive loads. These mounts have large supporting surface area and are slim. These mounts can also be stacked to achieve lower natural frequencies.



S. No.	Model	Max Load Capacity Kg/pc	L X B (mm)	C X D (mm)	CC (mm)	H (mm)	L (mm)	Natural Frequency (Hz)	Bolt (G)	d	Thickness of steel plate
1	DMS1-A	40	88x41	57x41	72	38	18	6	M8	8	4
2	DMS1-B	50	88x41	57x41	72	38	18	6	M8	8	4
3	DMS1-C	75	88x41	57x41	72	38	18	6.5	M8	8	4
4	DMS1-D	120	88x41	57x41	72	38	18	6.5	M8	8	4
5	DMS1-E	150	88x41	57x41	72	38	18	7	M8	8	4
1	DMS2-A	125	165x54	165x54	140	44	-	6.5	-	12	6
2	DMS2-B	250	165x54	165x54	140	44	-	6.5	-	12	6
3	DMS2-C	425	165x54	165x54	140	44	-	7	-	12	6
4	DMS2-D	550	165x54	165x54	140	44	-	7	-	12	6
5	DMS2-E	800	165x54	165x54	140	44	-	7	-	12	6
1	DMS2-A-SP1	140	110x60	110x60	89	43	-	6.5	-	12	6
2	DMS2-B-SP1	270	110x60	110x60	89	43	-	6.5	-	12	6
3	DMS2-C-SP1	450	110x60	110x60	89	43	-	7	-	12	6
4	DMS2-D-SP1	600	110x60	110x60	89	43	-	7	-	12	6
5	DMS2-E-SP1	850	110x60	110x60	89	43	-	7	-	12	6

SANDWICH MOUNT, Series : DSM

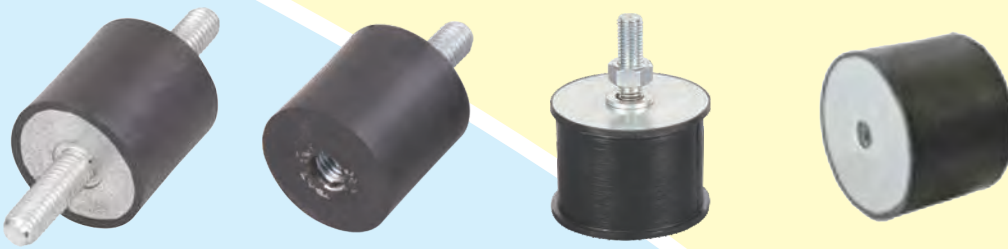


Dynemech Sandwich Mounts Series DSM are available in various standard and customized sizes. These mounts provides support to motors, pumps and equipment installed on a machine body. These mounts provides high vibration isolation efficiency.

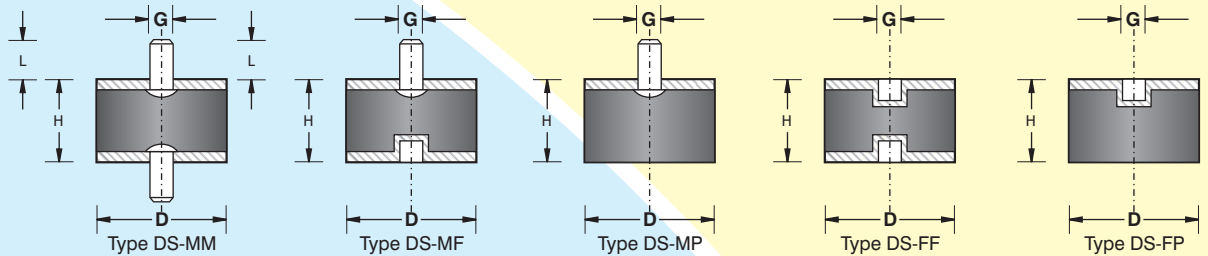
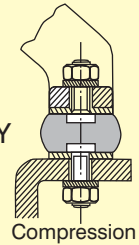
S.No.	Model	Max Load (kg/pc)	length L (mm)	width B (mm)	height H (mm)	G	CC (mm)	Thru. Hole (mm)
1	DSM-250/75	3500	250	75	75	M12x1.75	150	-
2	DSM-240/50	4500	240	50	40	-	180	20

COMPRESSION SHEAR MOUNT

DYNEMECH Stud Mounts, Series DS are highly effective and compact. vibration dampers for a variety of applications like - Compressors, Pumps, ID & FD fans, Motors, Machine tools, Gensets, Air Conditioners, Measuring and Testing Equipments/ instruments, Material Handling Equipments, Laboratory Equipments etc. These mounts can be used for load applications in compression.



Series DS



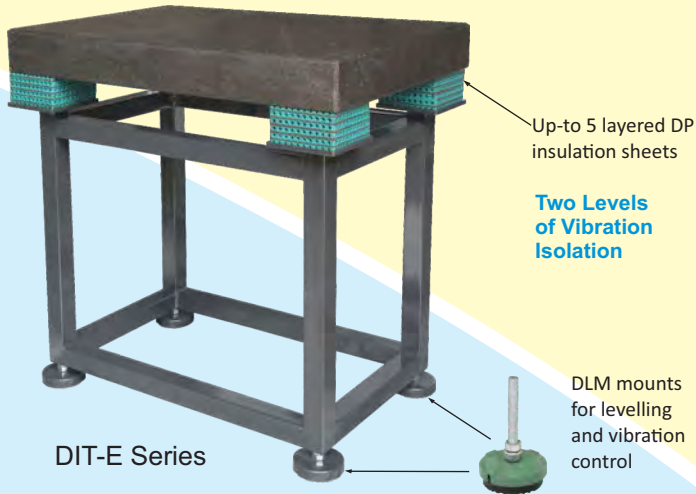
Model	D (mm)	H (mm)	G (mm)	L (mm)	Load Kgs.	Natural Frequency (Hz)
DS a 10-10	10	10	M4	16	2	12
DS b 10-10	10	10	M4	16	4	15
DS c 10-10	10	10	M4	16	6.5	15
DS a 15-15	15	15	M4	16	4	12
DS b 15-15	15	15	M4	16	9	12
DS c 15-15	15	15	M4	16	15	12
DS a 20-15	20	15	M6	16	9	12
DS b 20-15	20	15	M6	16	18	12
DS c 20-15	20	15	M6	16	25	12
DS a 20-25	20	25	M6	16	7	10
DS b 20-25	20	25	M6	16	16	10
DS c 20-25	20	25	M6	16	24	12
DS a 20-30	20	30	M6	16	10	10
DS b 20-30	20	30	M6	16	20	10
DS c 20-30	20	30	M6	16	30	12
DS a 22-09	22	09	M6	16	08	10
DS b 22-09	22	09	M6	16	18	10
DS c 22-09	22	09	M6	16	26	12
DS a 22-25	22	25	M6	16	09	12
DS b 22-25	22	25	M6	16	18	12
DS c 22-25	22	25	M6	16	27	12
DS a 22-35	22	35	M6	16	10	12
DS b 22-35	22	35	M6	16	19	12
DS c 22-35	22	35	M6	16	28	12
DS a 25-25	25	25	M8	33	12	12
DS b 25-25	25	25	M8	33	28	12
DS c 25-25	25	25	M8	33	39	12
DS a 25-30	25	30	M8	33	10	9
DS b 25-30	25	30	M8	33	22	9
DS c 25-30	25	30	M8	33	30	9
DS a 30-30	30	30	M8	33	17	8
DS b 30-30	30	30	M8	33	37	8
DS c 30-30	30	30	M8	33	57	8
DS a 40-30	40	30	M10	38	34	7
DS b 40-30	40	30	M10	38	70	8
DS c 40-30	40	30	M10	38	110	8
DS a 40-35	40	35	M10	38	40	7
DS b 40-35	40	35	M10	38	75	8
DS c 40-35	40	35	M10	38	114	8

COMPRESSION SHEAR MOUNT

DYNEMECH Stud Mounts, Series DS are highly effective and compact. vibration dampers for a variety of applications like - Compressors, Pumps, ID & FD fans, Motors, Machine tools, Gensets, Air Conditioners, Measuring and Testing Equipments/ instruments, Material Handling Equipments, Laboratory Equipments etc. These mounts can be used for load applications in compression.

Model	D (mm)	H (mm)	G (mm)	L (mm)	Load Kgs.	Natural Frequency (Hz)
DS a 40-40	40	40	M10	38	30	7
DS b 40-40	40	40	M10	38	60	8
DS c 40-40	40	40	M10	38	95	8
DS a 50-20	50	20	M10	38	45	8
DS b 50-20	50	20	M10	38	90	8
DS c 50-20	50	20	M10	38	135	8
DS a 50-30	50	30	M10	38	50	8
DS b 50-30	50	30	M10	38	100	8
DS c 50-30	50	30	M10	38	150	8
DS a 50-45	50	45	M10	38	55	8
DS b 50-45	50	45	M10	38	110	8
DS c 50-45	50	45	M10	38	160	8
DS a 50-50	50	50	M10	38	60	8
DS b 50-50	50	50	M10	38	115	8
DS c 50-50	50	50	M10	38	165	8
DS a 60-25	60	25	M10	38	85	6
DS b 60-25	60	25	M10	38	170	7
DS c 60-25	60	25	M10	38	250	7
DS a 60-30	60	30	M10	38	70	7
DS b 60-30	60	30	M10	38	140	7
DS c 60-30	60	30	M10	38	190	7
DS a 60-45	60	45	M10	38	75	7
DS b 60-45	60	45	M10	38	150	7
DS c 60-45	60	45	M10	38	200	7
DS a 60-55	60	55	M10	38	80	7
DS b 60-55	60	55	M10	38	155	7
DS c 60-55	60	55	M10	38	205	7
DS a 75-25	75	25	M16	48	115	6
DS b 75-25	75	25	M16	48	250	7
DS c 75-25	75	25	M16	48	380	7
DS a 75-55	75	55	M16	48	125	6
DS b 75-55	75	55	M16	48	275	7
DS c 75-55	75	55	M16	48	400	7
DS a 80-60	80	60	M16	48	150	6
DS b 80-60	80	60	M16	48	300	7
DS c 80-60	80	60	M16	48	450	7
DS a 100-45	100	45	M16	48	240	7
DS b 100-45	100	45	M16	48	490	7
DS c 100-45	100	45	M16	48	735	7
DS b 100-55	100	55	M16	48	250	7
DS c 100-55	100	55	M16	48	500	7
DS a 100-55	100	55	M16	48	750	7
DS b 100-90	100	90	M16	48	275	7
DS c 100-90	100	90	M16	48	550	7
DS a 100-90	100	90	M16	48	900	7
DS b 105-55	105	55	M16	48	255	7
DS c 105-55	105	55	M16	48	505	7
DS a 105-45	105	55	M16	48	755	7
DS b 125-45	125	45	M16	48	425	7
DS c 125-45	125	45	M16	48	785	8
DS b 125-45	125	45	M16	48	1100	8
DS c 150-55	150	55	M16	48	450	7
DS a 150-55	150	55	M16	48	800	8
DS b 150-55	150	55	M16	48	1300	8
DS c 250-125	250	125	M24	80	12000	7
DS a 250-125	250	125	M24	80	15000	8
DS b 250-125	250	125	M24	80	20500	8

SHOCK RESISTANT TABLE / PLATFORM



Dynemech Anti Vibration Tables-Series DIT- E are ideal for Testing/Quality Laboratories co-located with industrial units having high degree of vibration due to working machines like presses, hammers, VMCs etc. The vibrations are isolated using double-layered DP Elastomeric sheets. These Anti-Vibration tables have a granite surface plates with Grade-00/Grade-01 accuracy for very precise measuring accuracies. The passive vibrations from nearby motors and other heavy machinery is reduced by 65-70%. The Vibration isolation efficiency of these tables can be further increased by placing more than 2 layers of our DP insulation sheets. Five layer of DP exhibits a natural frequency of 7-8 Hz. Which damps most of the incoming frequencies above 20 Hz.

APPLICATION : The vibration isolated table (VIT) finds usage in critical areas where reading accuracy of instrument like Balance, Galvanometers, Electronics Microscopes and atomic absorption Spectrophotometers, is affected by vibrations.

With this specialized design, we obtain a very precise and highly shock resistant Anti-vibration table.

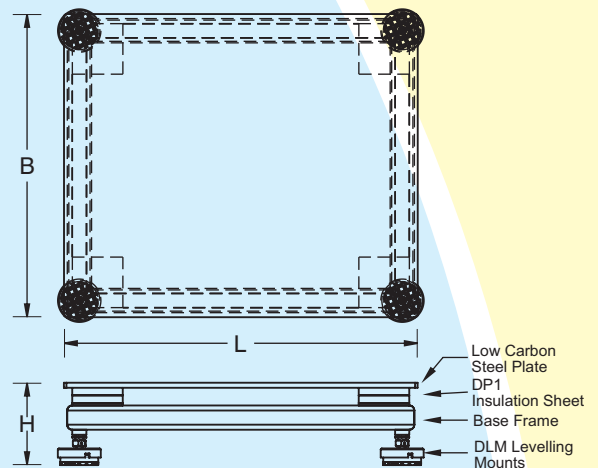
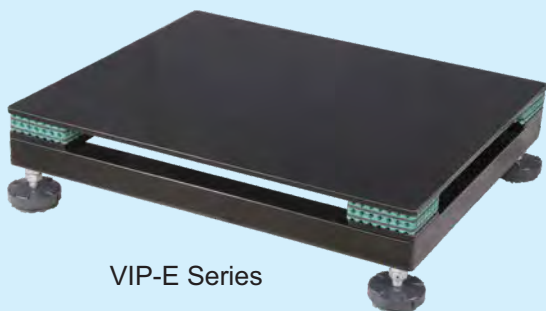
Model	Length (mm)	Width (mm)	Height (mm)	Table Load Capacity (Kg)	Surface Plate Thickness (mm)	Natural Frequency at Max. load (Hz)
DIT-E/01	500	500	800-1000	upto 250	80	7 to 8
DIT-E/01/s1	630	630	800-1000	upto 250	80	7 to 8
DIT-E/02	750	500	800-1000	upto-450	80	7 to 8
DIT-E/03	900	600	800-1000	upto-1250	100	7 to 8
DIT-E/04	1000	800	800-1000	upto-1250	150	7 to 8

*Special table sizes and designs can also be ordered as per client's requirements

ANTI-VIBRATION PLATFORM, Series: VIP- E

Dynemech Anti Vibration Platform, are ideal for precision lab balances / microscopes/testing & measuring or scientific instruments and other vibration sensitive equipment like probes etc. They are suitable for equipment in Testing / Quality/Medical & Biological Laboratories co-located nearby industrial units/commercial units having high degree of vibration transmission due to vehicular traffic, HVAC installations and other vibration creating equipment. Audio centres and Research laboratories may find use of Dynemech Vibration Isolation Platforms for the vibration sensitive equipments.

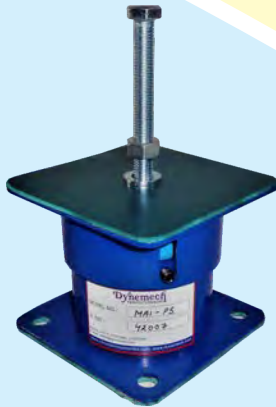
Dynemech Anti Vibration Platform VIP-E The Vibrations are isolated using Double-Layered Dp Elastomeric Sheets where in vibration transmission by 65-70%. The vibration isolation efficiency of these tables can be further increased by placing more than 2 layers of our Dp insulation Sheets. Five layers of DP exhibits a natural frequency of 7-8 Hz. which damps most of the incoming frequencies above 15 Hz.



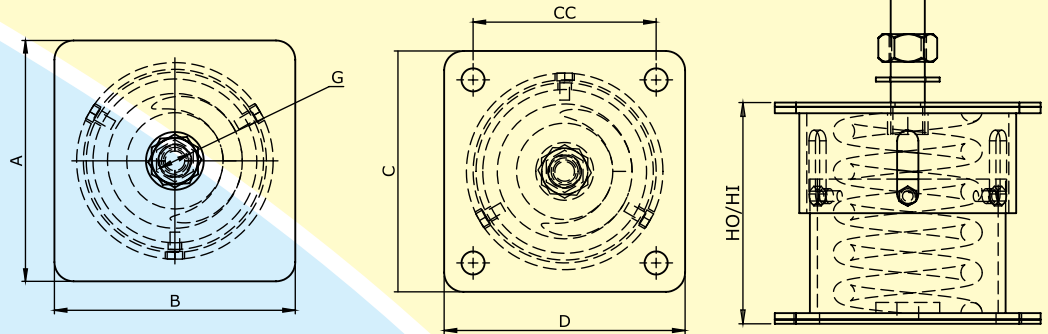
S.No.	Model	Load Capacity (Kg)	Length L (mm)	Width B (mm)	Height H (mm)	Top Plate Thickness T (mm)
1	VIP-E-01	upto 100	500	500	170	10
2	VIP-E-01-S1	upto 150	600	600	170	10
3	VIP-E-02	upto 200	750	500	170	15
4	VIP-E-03	upto 250	900	600	170	15
5	VIP-E-04	upto 400	1000	800	180	20
6	VIP-E-05	upto 500	1500	1000	180	20
7	VIP-E-06	upto 750	1800	1200	200	25

Enclosed Spring Isolators

A spring isolator gives desired natural frequency to obtain phase difference in the frequencies for a rotating machine and HVAC Equipments. Viscous damping is an important feature of an isolation system. In most cases viscous damping is required to limit excessive movement which could occur as a machine operates at a speed near to, or coinciding with the resonant frequencies of the system. Generally this problem arises during slow run up and run down of rotating machines.

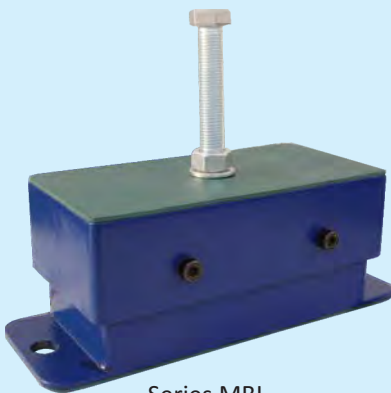


Series MAI

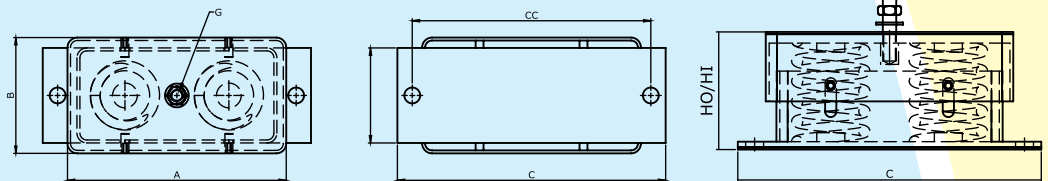


Model	LOAD kg	HO mm	HI mm	Bolt Size (G)	Top plate (AxB) mm	Bottom Plate (CxD) mm	CC mm	Natural Frequency (Hz)
MAI-H2	25-200	66	86	M12	110x110	110x110	90	3.5-10
MAI-J2	30-300	84	101	M12	125x125	125x125	95	3.5-11
MAI-L3	50-500	84	101	M12	125x125	125x125	95	3.5-11
MAI-K3	200-850	69	75	M12	125x125	125x125	95	5.0-10
MAI-P5	250-900	82	91	M12	125x125	125x125	95	5.0-09
MAI-P3	500-1400	92	101	M12	125x125	125x125	95	5.0-09

SPRING ISOLATORS, Series : MBI



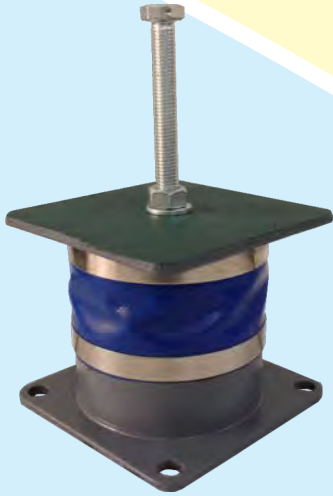
Series MBI



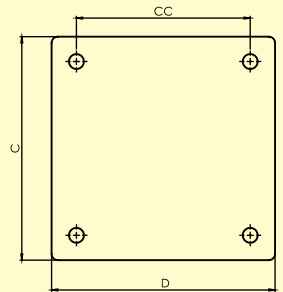
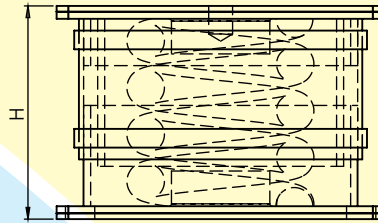
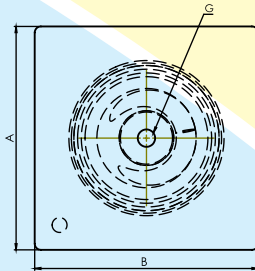
Model	LOAD kg	HO mm	HI mm	Bolt Size (G)	Top plate (AxB) mm	Bottom Plate (CxD) mm	CC mm	Natural Frequency (Hz)
MBI-J4	60-580	96	110	M12	221x117	271x096	241	3.5-11
MBI-L4	10-1000	86	105	M12	221x117	271x096	241	3.5-11
MBI-LK4	400-1700	69	80	M12	189x119	271x096	211	5.0-10
MBI-P5	500-1800	86	95	M12	236x121	271x096	261	5.0-10
MBI-P4	1000-2800	91	105	M12	221x117	271x096	241	5.0-08

Enclosed Round Spring Elements With Viscous Damping

A spring isolator gives desired natural frequency to obtain phase difference in the frequencies for a rotating machine and HVAC Equipments. Viscous damping is an important feature of an isolation system. In most cases viscous damping is required to limit excessive movement which could occur as a machine operates at a speed near to, or coinciding with the resonant frequencies of the system. Generally this problem arises during slow run up and run down of rotating machines.



RAD-RT

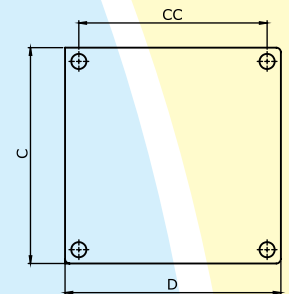
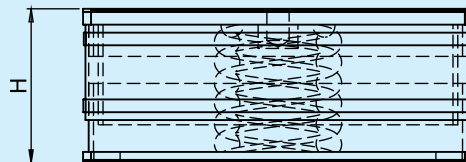
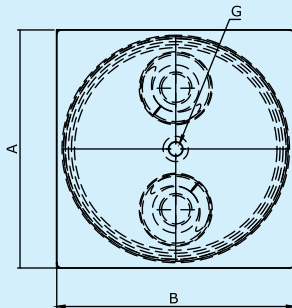


S.No.	MODEL	Load (Kg)	Free Height (H)	Bolt Size	Top Plate (AxB) (mm)	Bottom Plate (Cx D) (mm)	CC (mm)	Natural Frequency range (Hz)
1	RAD-J2-RT	30-300	101	M12	125x125	125x125	95	3.5-11
2	RAD-L4-RT	50-500	101	M12	125x125	125x125	95	3.5-11
3	RAD-P4-RT	500-1400	101	M12	125x125	125x125	95	5.0-8.0
4	RAD-K6-RT	200-850	101	M12	125x125	125x125	95	5.0-10
5	RAD-P5-RT	250-900	91	M12	140x140	140x140	120	5.0-10
6	RAD-H2-RT	25-200	101	M12	125x125	125x125	95	3.5-10
7	RAD-J2-A2-RT	30-300	108	M12	125x125	125x125	95	3.5-11

SERIES : RBD-RT

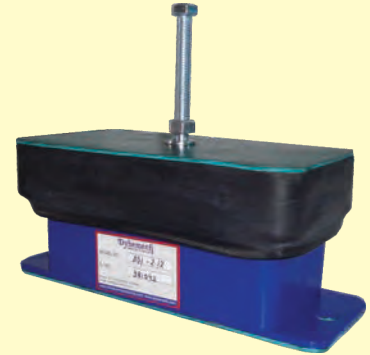
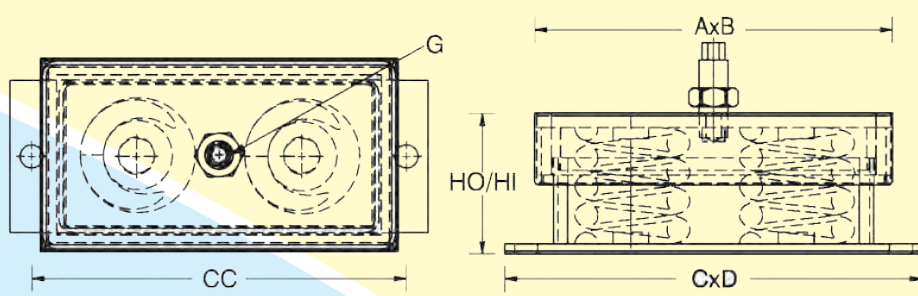


RBD-RT



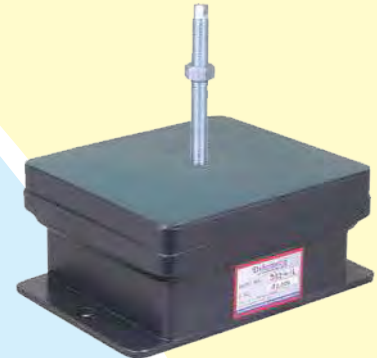
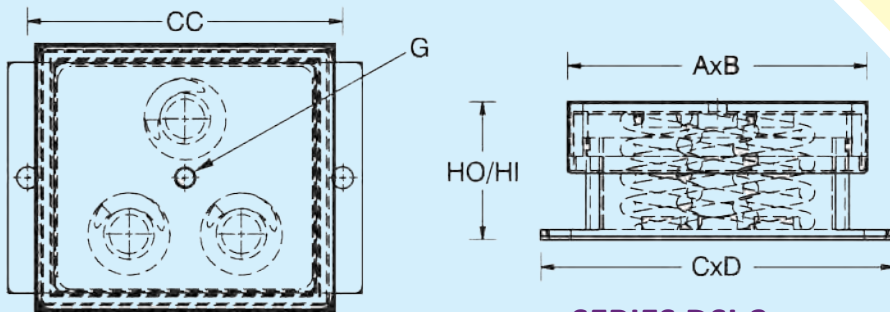
S.No.	MODEL	Load (Kg)	Free Height (H)	Bolt Size	Top Plate (AxB) (mm)	Bottom Plate (Cx D) (mm)	CC (mm)	Natural Frequency range (Hz)
1	RBD-J2-RT	60-580	108	M12	235x235	235x235	205	3.5-11
2	RBD-L4-RT	100-1000	108	M12	235x235	235x235	205	3.5-11
3	RBD-P4-RT	1000-2800	108	M12	235x235	235x235	205	5.0-8.0
4	RBD-K6-RT	400-1700	108	M12	235x235	235x235	205	5.0-10
5	RBD-P5-RT	500-1800	98	M12	245x245	245x245	215	5.0-10
6	RBD-H2-RT	50-400	108	M12	235x235	235x235	205	3.5-10

Enclosed Spring Isolators With Viscous Damping



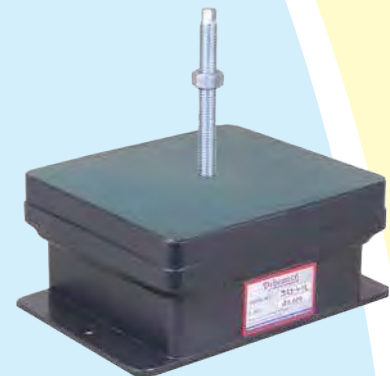
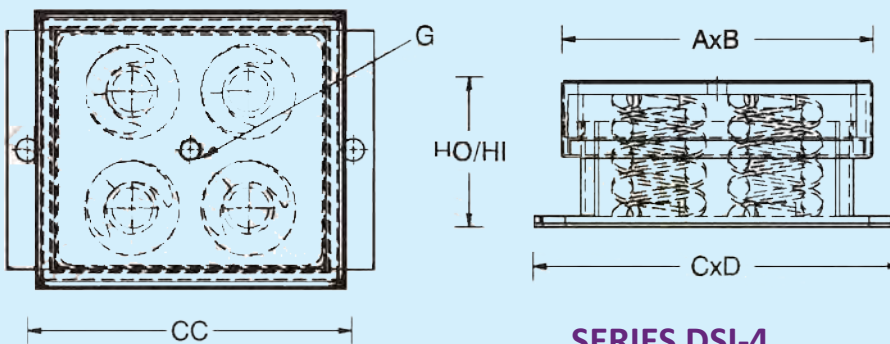
SERIES DSI-2

Model	Load. kg	Height Under Load HO (mm)	Free Height HI (mm)	Bolt Size G	Top Plate (Ax/B) mm	Bottom Plate (Cx/D) mm	CC mm	Natural Frequency (Hz)
DSI-2.10	60-580	103	112	M12	232x127	271x96	241	3.5-11
DSI-2.12	100-1000	103	112	M12	232x127	271x96	241	3.5-11
DSI-2.16	1000-2800	103	112	M12	232x127	271x96	241	5.0-09
DSI-2.11-S3	400-1700	74	85	M12	208x138	241x101	211	5.0-10
DSI-2.16-SPL	500-1800	89	98	M12	252x137	291x106	261	5.0-10



SERIES DSI-3

Model	Load. KG	Height Under Load HO (mm)	Free Height HI (mm)	Bolt Size G	Top Plate (Ax/B) mm	Bottom Plate (Cx/D) mm	CC mm	Natural Frequency (Hz)
DSI-3.10	82-900	103	112	M16	232x213	271x176	241	3.5-11
DSI-3.12	150-1500	103	112	M16	232x213	271x176	241	3.5-11
DSI-3.16	1500-4100	103	112	M16	232x213	271x176	241	5.0-8.0
DSI-3.11-S3	600-2550	74	85	M16	202x177	241x146	211	5.0-10
DSI-3.16-SPL	750-2700	89	98	M16	252x228	291x196	261	5.0-10



SERIES DSI-4

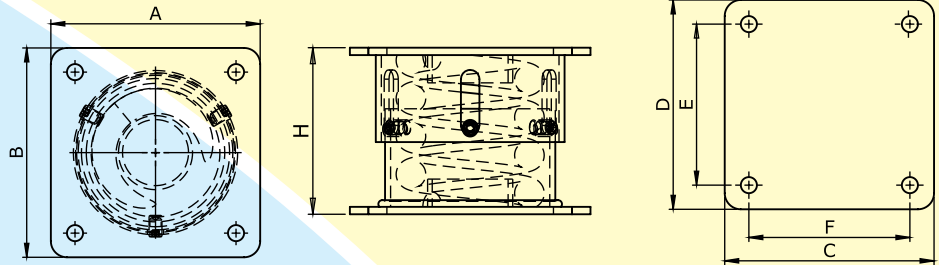
Model	Load. KG	Height Under Load HO (mm)	Free Height HI (mm)	Bolt Size G	Top Plate (Ax/B) mm	Bottom Plate (Cx/D) mm	CC mm	Natural Frequency (Hz)
DSI-4.10	110-1200	103	112	M16	232x213	271x176	241	3.5-11
DSI-4.12	200-2000	103	112	M16	232x213	271x176	241	3.5-11
DSI-4.16	2000-5500	103	112	M16	232x213	271x176	241	5.0-8.0
DSI-4.11-S3	800-3400	74	85	M16	202x177	241x146	211	5.0-10
DSI-4.16-SPL	1000-3600	89	98	M16	252x228	291x196	261	5.0-10

Housed Spring Isolators

A spring isolator gives desired natural frequency to obtain phase difference in the frequencies for a rotating machine and HVAC Equipments. Viscous damping is an important feature of an isolation system. In most cases viscous damping is required to limit excessive movement which could occur as a machine operates at a speed near to, or coinciding with the resonant frequencies of the system. Generally this problem arises during slow run up and run down of rotating machines.

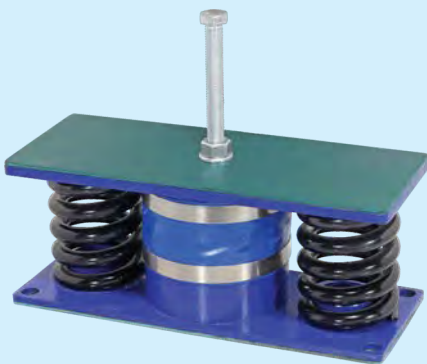


MAI-P5-TR1 Series

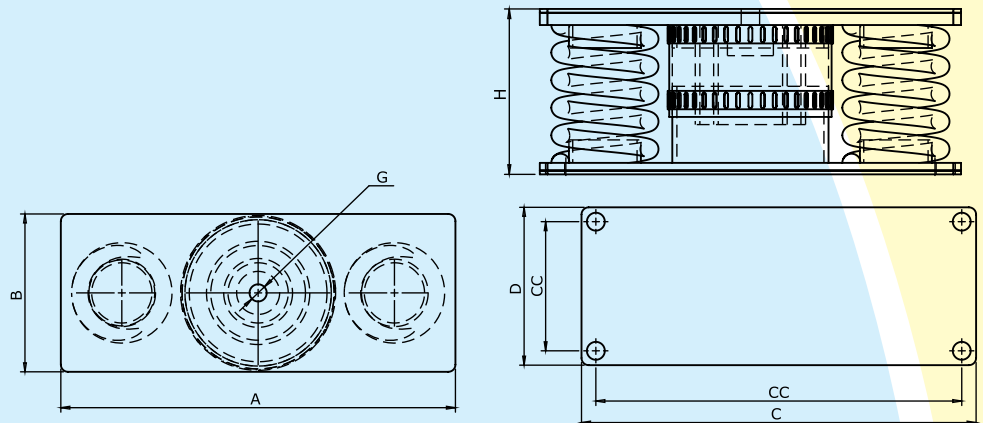


S. NO.	MODEL	Load Max. (Kg)	Free Height (H) mm	Height at maximum Load (mm)	Top Plate AXB (mm)	Bottom Plate (Cx D) (mm)	Mounting Center Distance (Ex F) (mm)	Spring Rate (KN/mm) K (Vertical)	Spring Rate (KN/mm) K (Horizontal)
1	MAI-P5-TR1	1200	90	72	130x130	130x130	100x100	0.9 +/-0.1	1.3 +/-0.2

SPRING ISOLATORS, SERIES : RBD-OPSD WITH SAFETY VISCOUS DAMPING



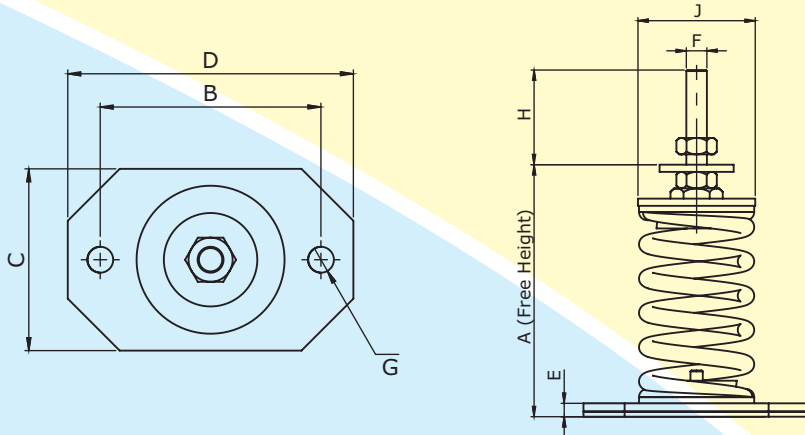
RBD-OPSD Series



S. NO.	MODEL	Load (Kg)	Free Height (H)	Height at maximum Load (mm)	Bolt Size (G)	Top Plate (Ax B) (mm)	Bottom Plate (Cx D) (mm)	CC (mm)	Natural Frequency range (Hz)
1	RBD-J2-OPSD	60-580	108	91	M12	275x110	275x110	255x90	3.5-11
2	RBD-L4-OPSD	100-1000	108	91	M12	275x110	275x110	255x90	3.5-11
3	RBD-P4-OPSD	1000-2800	108	99	M12	275x110	275x110	255x90	5.0-8.0
4	RBD-K6-OPSD	400-1700	83	77	M12	275x110	275x110	255x90	5.0-10
5	RBD-P5-OPSD	500-1800	98	89	M12	285x120	285x120	265x100	5.0-10
6	RBD-H2-OPSD	50-400	94.5	74.5	M12	275x110	275x110	255x90	3.5-10

Open Type Spring Isolators

Dynemech Open type spring isolators provides high vibration isolation to plant and machinery and HVAC equipments. These isolators are compact and economical.



DOS Series

S. No.	Part No.	Rated Load (Kg)	Deflection at Rated Load (mm)	Height at maximum Load (mm)	Dimensions (mm)								
					A	B	C	D	E	F	G	H	J
1	DOS-5	31	25	97.5	122.5	85	70	110	6.5	M10	10	46	57
2	DOS-6	61	25	97.5	122.5	85	70	110	6.5	M10	10	46	57
3	DOS-7	109	25	97.5	122.5	85	70	110	6.5	M10	10	46	57
4	DOS-7.5	157	25	97.5	122.5	85	70	110	6.5	M10	10	46	57
5	DOS-8	210	25	97.5	122.5	85	70	110	6.5	M10	10	46	57
6	DOS-10	300	25	97.5	122.5	100	95	125	6.5	M10	10	46	70
7	DOS-12	500	25	97.5	122.5	100	95	125	6.5	M10	10	46	70
8	DOS-17	1400	9	113.5	122.5	100	95	125	6.5	M10	10	46	70

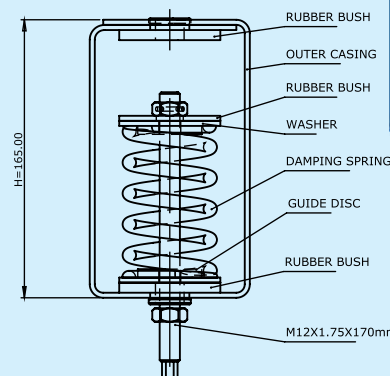
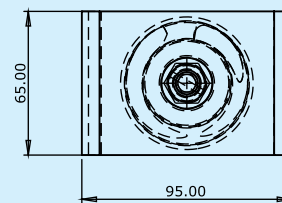
HANGER TYPE SPRING ISOLATORS, Series DIH

Spring Hanger Isolators

Dynemech Spring hangers provides high vibration and shock isolation for small HVAC equipments, pipes and ducts to be mounted with the ceiling.

TECHNICAL DETAILS

S. No.	Model	Load at 25mm deflection (Kg/pc)	Bolt
1	DIH-5	32	M12
2	DIH-6	62	M12
3	DIH-7	110	M12
4	DIH-7.5	157	M12
5	DIH-8	210	M12
6	DIH-10	300	M12
7	DIH-12	500	M12
8	DIH-17	1400	M12



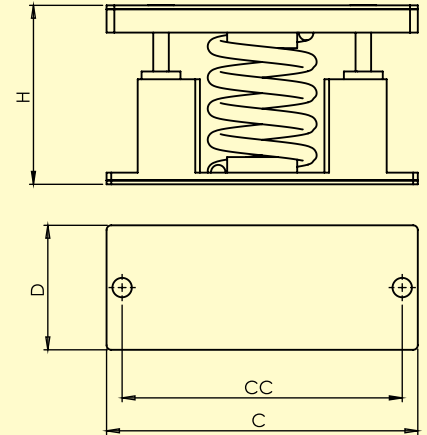
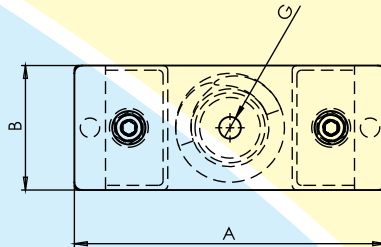
DIH Series

RESTRAINED SPRING ISOLATORS

A spring isolator gives desired natural frequency to obtain phase difference in the frequencies for a rotating machine and HVAC Equipments. Viscous damping is an important feature of an isolation system. In most cases viscous damping is required to limit excessive movement which could occur as a machine operates at a speed near to, or coinciding with the resonant frequencies of the system. Generally this problem arises during slow run up and run down of rotating machines.



MAI-RSTD Series

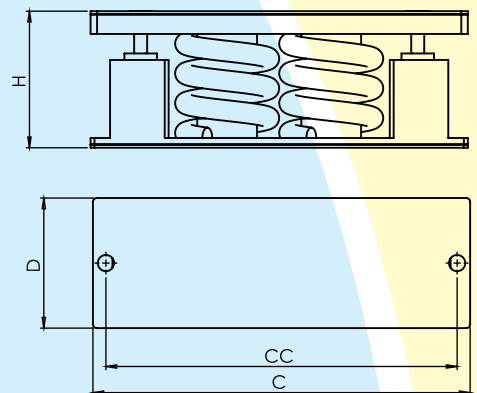
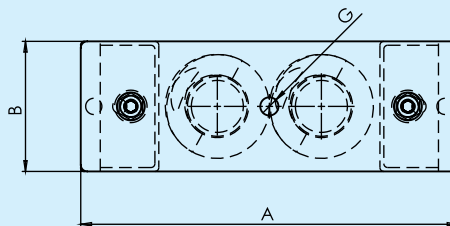


S. NO.	MODEL	Load (Kg)	Free Height (mm)	Height Under Load (mm)	Bolt (G)	Top Plate (AxB) (mm)	Bottom Plate (Cx D) (mm)	Mounting Center Distance (CC) (mm)	Natural Frequency range (Hz)
1	MAI-J2-RSTD	30-300	115	95	M16	220x100	220x100	200	3.5-11
2	MAI-L4-RSTD	50-500	115	95	M16	220x100	220x100	200	3.5-11
3	MAI-P4-RSTD	500-1400	115	106	M16	220x100	220x100	200	5.0-8.0
4	MAI-K6-RSTD	200-850	115	109	M16	220x100	220x100	200	5.0-10
5	MAI-P5-RSTD	250-900	105	96	M16	220x100	220x100	200	5.0-10
6	MAI-F2-RSTD	10-60	115	95	M16	220x100	220x100	200	3.0-8.0
7	MAI-H2-RSTD	25-200	115	95	M16	220x100	220x100	200	3.5-10

SPRING ISOLATORS, SERIES (RESTRAINED TYPE): MBI-RSTD



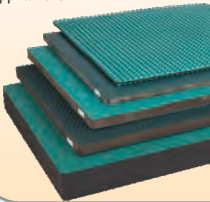
MBI-RSTD Series



S. NO.	MODEL	Load (Kg)	Free Height (mm)	Height Under Load (mm)	Bolt (G)	Top Plate (AxB) (mm)	Bottom Plate (Cx D) (mm)	Mounting Center Distance (CC) (mm)	Natural Frequency range (Hz)
1	MAI-J2-RSTD	60-600	115	95	M16	290x100	290x100	270	3.5-11
2	MAI-L4-RSTD	100-1000	115	95	M16	290x100	290x100	270	3.5-11
3	MAI-P4-RSTD	1000-2800	115	106	M16	290x100	290x100	270	5.0-8.0
4	MAI-K6-RSTD	400-1700	115	109	M16	290x100	290x100	270	5.0-10
5	MAI-P5-RSTD	500-1800	105	96	M16	290x100	290x100	270	5.0-10
6	MAI-F2-RSTD	20-120	115	95	M16	290x100	290x100	270	3.0-8.0
7	MAI-H2-RSTD	50-400	115	95	M16	290x100	290x100	270	3.5-10

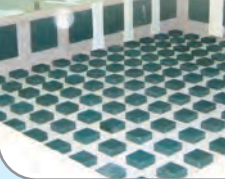
DYNEMECH INSULATION SHEETS

Tuned to different natural frequencies for different applications.



FOUNDATION ISOLATION

For Active and Passive Vibration isolation of CMMs, Power Presses, Forging Hammers, Engine Test Rigs etc.



MEMBRANE AIR SPRINGS

Series DMAS BH/BL For CMM, Gear Profile testing, Hardness Tester etc. Membrane Air Springs (Self Levelling)



MEMBRANE AIR SPRINGS

Series DMAS SH/SL For all high precision Metrology Equipments. Membrane Air Springs (Self Levelling)



RUBBER AIR SPRINGS

Auto-Levelling Pneumatic Vibration Isolator Series DLPM Low Frequency, Vibration Damping with Auto-Levelling.



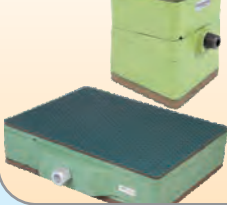
RUBBER AIR SPRINGS

Series DRAS For Low Frequency Vibration Damping of EDM Machines, Measuring and Testing Instruments.



WEDGE MOUNTS

Series DF/DFP For CNC Grinding/Machining Centres, Turning Centres etc.



WEDGE MOUNTS

Series DB/DBP For Power Presses, Pressure Die Casting Machines etc.



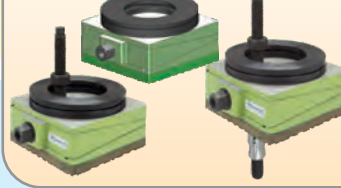
WEDGE MOUNTS

Series DT/DTP For Machines which produce unbalanced Forces and must be anchored to the Ground



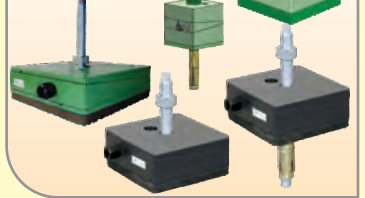
WEDGE MOUNTS

Series DBSP/DTSP/DFSP To transmit the load of the machine to the ground @ 90° despite angle difference between machine base and foundation.



WEDGE MOUNTS

Series DBO/DBOP/DTO/DTPO For anchoring CNC, VMC, Pressure Die Casting etc.



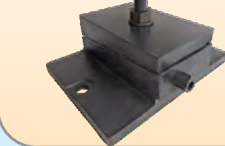
WEDGE MOUNTS

Series DFH/DBH/DTH These Mounts are sturdy in construction, useful for installing very heavy or long bedded machines.



Taper Shim Levelling Mounts

Series TSOH/TSPOH have a flange at the bottom to provide precise levelling after fixing to rigid support for the equipment.



SCREW SUPPORT MOUNTS

Series DL/DLM/DLC/DLT For light to medium weight machines



SCREW SUPPORT MOUNTS

Series DLK/DLK-4/DLKR Cost effective solutions for low frequency attenuation and stable machine levelling.



JACKUP MOUNTS

Series DJM Anchoring is possible with high levelling adjustments.



SCREW SUPPORT MOUNTS

Series DLS/DLMS In Stainless Steel for Pharma, Food, Medical and Allied industries.



MACHINE BASE MOUNTS

Series SL For Machines with Tapped Hole in the base of the machine.



LEVEL GRIP MOUNTS

Series DRM For Machine Levelling using a Larger Lever Screw.



TEXL FOOT MOUNTS

Series DTXL Simple, ready to install configuration for stability and vibration control.



MACHINERY RAISER MOUNTS

Series DR/DRC For raising Height of the Machines, besides Vibration Damping and having Hole or Bolt in the Base



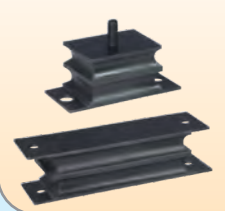
DRS CNC MACHINE MOUNTS

Series DRS For Levelling Machine having Tapped Hole, Dimple or Through Hole Variants.



SANDWICH MOUNTS

Series DMS For Fans, Blowers etc.



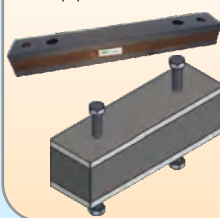
COMPAC MACHINERY MOUNTS

Series DH for Compression, Shear and Radial Vibration Damping.



SANDWICH MOUNTS

Series DSM For motors, pumps and other equipments.



FLEXIFOOT MOUNTS

Series DGF For Quick and Easy Installation of DG Sets, Blowers etc.



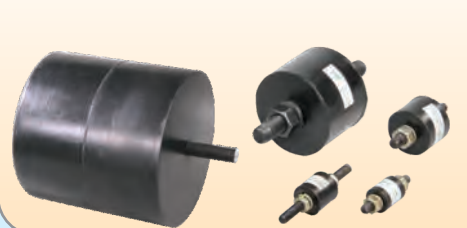
MAC LEVEL MOUNTS

Series DML For Economical and Easy Installation of Light Weight Machines



STUD MOUNTS

Series DS For Compressors, Pumps, ID and FD Fans, Motors, Gen Sets etc.



HORIZONTAL STOPS

Series DHS For shock absorption in machines with high axial force.



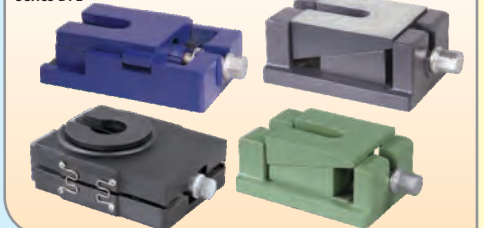
BUFFER MOUNTS

Series RB Available in different sizes and rubber compositions based on application.



HIGH PRECISION LEVELLING & ALIGNMENT MOUNTS

Series DFL



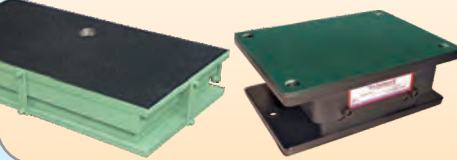
PRECISION LEVELLING MOUNTS

Series VHS
The Levelling can be done after the unit is Anchored to the Floor. Faster Installation of Long Bedded Machines.



SHOCK MOUNTS

Series DXO
For Forging Hammers, Heavy Power Press, Gen Sets and all types of very Heavy Industrial Machines.



SPRING ISOLATORS

Series MAI/MBI/MDI
For all Textiles, Chillers, Gensets etc



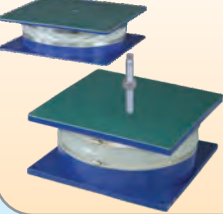
SPRING ISOLATOR WITH PRE-COMPRESSION & SEISMIC RESTRAINER

Series RT-SP2 LVL



SPRING ISOLATOR

Series RT/RT-SP2
For Presses, Embroidery, Fatigue Testing Machines etc.



SPRING ISOLATOR

Series MAI-P5-TR/RAD-RT-2L
For Machines requiring Low Frequency Isolation.



SPRING ISOLATOR

For Forging Hammers, Heavy Power Press, Bowl Mills, Crushers and Turbines



SPRING ISOLATOR

Series RDD/RFD
With Multi Degree Restrainer for Medium Stroke Presses.



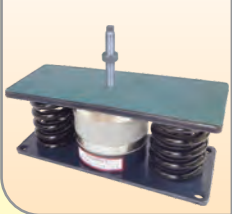
SPRING ISOLATOR

Series RFD-Y4
For Heavy Machine Tools & High Speed Presses.



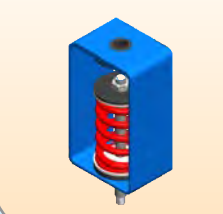
SPRING ISOLATOR

Series OPSD
For Gen Sets, Chillers, Embroidery Machines etc.



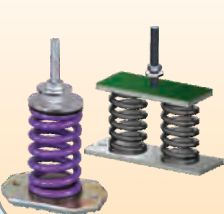
OPEN SPRING HANGER MOUNT

Series DIH



OPEN SPRING COMPRESSION MOUNTS

Series DOS



SPRING ISOLATOR

Series MDI

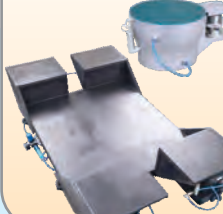


SPRING ISOLATOR

Customized Series.

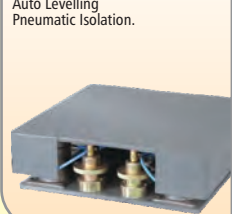


CRADLE PLATFORM WITH MEMBRANE AIR SPRING



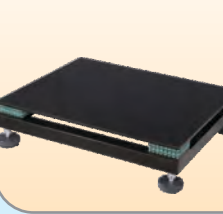
ANTI VIBRATION PLATFORM

Series VIP AM-ST
Auto Levelling Pneumatic Isolation.



ANTI VIBRATION PLATFORM

Series VIP E
with Elastomeric Isolation.



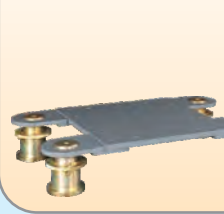
ANTI VIBRATION PLATFORM

Series VIP AM
with Auto Levelling Pneumatic Vibration Mounts.



ANTI VIBRATION PLATFORM

Series VIP AIS
with DAR Isolation.



ANTI VIBRATION PLATFORM

Series VIP AM-HC
Auto Levelling Pneumatic Isolation with Honeycomb Top.



ANTI VIBRATION TABLE

Series DIT-AM
with Auto Levelling Pneumatic Mounts.



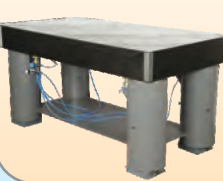
ANTI VIBRATION TABLE

Series DIT E
with Elastomeric Vibration Isolation



AVT WITH HONEYCOMB TABLETOP & AUTO LEVELLING PNEUMATIC VIBRATION MOUNTS

Series DIT AM-HC



AVT WITH AUTO LEVELLING PNEUMATIC ISOLATION & VIBRATION MOUNTS

Series DIT AHL



ANTI VIBRATION TABLE

Series DIT EW
Elastomeric Isolation with Wooden PU Coated Support.



ANTI VIBRATION TABLE

Series DIT-E-SP1
For Pharmaceutical Labs.



ANTI VIBRATION TABLE

Series DIT AM-DCC
Auto Levelling Vibration Isolation with Casters Support.



ANTI VIBRATION TABLE

Series DIT E-LDLM
Elastomeric Isolation with Two Stage Levelling & Vibration Isolation .



ANTI VIBRATION PLATFORM

Series DIT E-CM
Elastomeric Isolation with Corian Marble.



TULLIYAM AVT

Pneumatic Isolation with Auto Levelling for Nano Scale Measuring Instrument.



TULLIYAM SURFCOM NEX TABLE



TULLIYAM RONDCOM NEX TABLE



Tulliyam Mitutoyo Contracer CV2100 Metrology Table



TULLIYAM MITUTOYO MICROSCOPE MFJ2017 TABLE



Vertical Injection Molding Machine installed on Spring Isolator MAI-RT



Spring making Machine installed on Levelling Mounts Series DLC



Extruder Machine installed on Spring Isolator MDI



Injection Molding Machine installed on DLK



Belt Grinder installed on Spring Isolator MAI



125kva DG Set installed on Spring Isolator MBI



CNC Turning installed on Wedge Mounts Series DBO



CNC Machine Center installed on Wedge Mounts Series DBO



Surface Grinder installed on Screw Support Mount Series DLC



Press Machine installed on Spring Isolator RBD & RDD



Press Machine installed on Wedge Mount Series DB



APPLICATIONS

- Power Presses
- Tool Room Machines
- Plastic Injection Moulding Machines
- CNC Turning / Machining Centres
- Punching, Stamping & Shearing Machines
- Coal Crushers, Turbines, ID/FD Fans
- Precision Machine Tools (Turning Centres, Machining Centres, Grinding Machines)
- Press Brakes & Turret Punch Presses
- CNC Milling
- Lathes, Broachers
- HMC / VMC
- Deep Drilling Machines
- Textile Machines
- Forging Hammers
- Generators, Compressors and HVAC Installations
- Pressure Die Packaging Machines
- Measuring and Testing Machines/Equipments (Surface Plates, Hardness Testers)
- Anti-Vibration Tables and Isolation Platforms
- Centrifugal Pumps and Fans
- Contour Measuring Machines
- Food & Pharmaceutical Sector Machinery
- Printing And Packaging Machines
- Surface Roughness Tester
- Gear Profile Tester

Manufactured by

DYNEMECH SYSTEMS PVT. LTD.

RU-395, Near Power House, Main Outer Ring Road, Pitam Pura, Delhi-110 034, INDIA
 Phones : +91-98107 60131, 99111 45131, 92122 58131, 99902 26131, 92123 75011, 9599587131

Email : sales@dynemech.com

web : www.vibrationmountsindia.com www.vibrationdampingpads.com