

DLT1



DLT3



DLT5



DLT7



DLT9

Dynemech DLT series mounts are used in the machines which must be anchored to the floor along without levelling and vibration reduction. Bolts with thru holes are provided in the machine foot, mount and anchored in the floor nut. an insulating disc is provided between the nut and the machine foot to prevent vibration from transmitting in the floor via the bolt. the dimple and the thru hole in the mount are provided as per the bolt specifications of the machine.

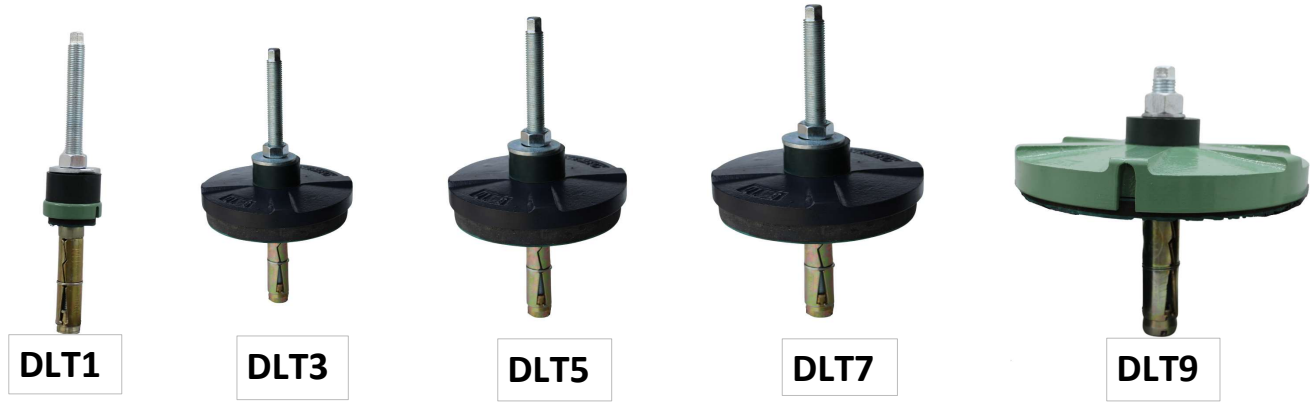
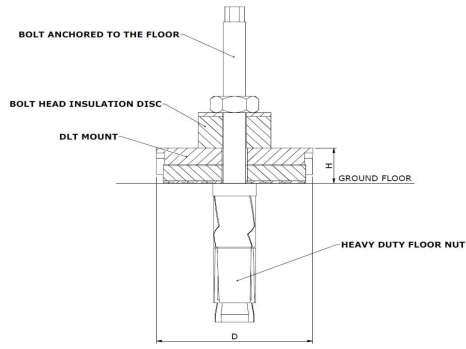
Model	Load Capacity Kg/pc	Diameter (D) mm	Height (H) mm	Possible Bolts	Coeff. of Friction against Concrete	Natural Frequency at Max. Load (Hz)	Temperature Range (°C)	Color	Applications
DLT1-u-55-FG-GR	150	55	21	M10/12/16/20/24	0.9	18	From -16 to 90	Dark Grey/Green	Applications: Tool Room Machines, Plastic Injection Moulding Machines, Pressure Die Casting Machines, Printing and Textile Machines (For machines having high axial forces.)
DLT2-u-85-FG-GR	350	85	28	M10/12/16/20/24	0.9	18	From -16 to 90	Dark Grey/Green	
DLT3-u-112-FG-GR	600	112	28	M10/12/16/20/24	0.9	18	From -16 to 90	Dark Grey/Green	
DLT4-u-135-FG-GR	900	135	30	M10/12/16/20/24	0.9	18	From -16 to 90	Dark Grey/Green	
DLT5-u-160-FG-GR	1400	160	30	M10/12/16/20/24	0.9	18	From -16 to 90	Dark Grey/Green	
DLT6-u-185-FG-GR	1900	185	34	M10/12/16/20/24	0.9	18	From -16 to 90	Dark Grey/Green	
DLT7-u-215-FG-GR	2500	215	35	M10/12/16/20/24	0.9	18	From -16 to 90	Dark Grey/Green	
DLT8-u-249-FG-GR	3500	249	44	M10/12/16/20/24	0.9	18	From -16 to 90	Dark Grey/Green	
DLT9-u-276-FG-GR	4200	276	43	M10/12/16/20/24	0.9	18	From -16 to 90	Dark Grey/Green	
DLT1-u-10-55-FG-GR	150	55	16	M10/12/16/20/24	0.9	25	From -16 to 90	Dark Grey/Green	Applications: Tool Room Machines, Plastic Injection Moulding Machines, Pressure Die Casting Machines, Printing and Textile Machines (For machines having high axial
DLT2-u-10-85-FG-GR	350	85	23	M10/12/16/20/24	0.9	25	From -16 to 90	Dark Grey/Green	
DLT3-u-10-112-FG-GR	600	112	23	M10/12/16/20/24	0.9	25	From -16 to 90	Dark Grey/Green	
DLT4-u-10-135-FG-GR	900	135	25	M10/12/16/20/24	0.9	25	From -16 to 90	Dark Grey/Green	
DLT5-u-10-160-FG-GR	1400	160	25	M10/12/16/20/24	0.9	25	From -16 to 90	Dark Grey/Green	
DLT6-u-10-185-FG-GR	1900	185	29	M10/12/16/20/24	0.9	25	From -16 to 90	Dark Grey/Green	

DLT7-u-10-215-FG-GR	2500	215	30	M10/12/16/20/24	0.9	25	From -16 to 90	Dark Grey/Green	machines having high axial forces.)
DLT8-u-10-249-FG-GR	3500	249	39	M10/12/16/20/24	0.9	25	From -16 to 90	Dark Grey/Green	
DLT9-u-10-276-FG-GR	4200	276	38	M10/12/16/20/24	0.9	25	From -16 to 90	Dark Grey/Green	
DLT1-u-12-55-FG-GR	150	55	18	M10/12/16/20/24	0.9	20	From -16 to 90	Dark Grey/Green	Applications: Tool Room Machines, Plastic Injection Moulding Machines, Pressure Die Casting Machines, Shaper, Printing and Textile Machines (For machines having high axial forces.)
DLT2-u-12-85-FG-GR	350	85	25	M10/12/16/20/24	0.9	20	From -16 to 90	Dark Grey/Green	
DLT3-u-12-112-FG-GR	600	112	25	M10/12/16/20/24	0.9	20	From -16 to 90	Dark Grey/Green	
DLT4-u-12-135-FG-GR	900	135	27	M10/12/16/20/24	0.9	20	From -16 to 90	Dark Grey/Green	
DLT5-u-12-160-FG-GR	1400	160	27	M10/12/16/20/24	0.9	20	From -16 to 90	Dark Grey/Green	
DLT6-u-12-185-FG-GR	1900	185	31	M10/12/16/20/24	0.9	20	From -16 to 90	Dark Grey/Green	
DLT7-u-12-215-FG-GR	2500	215	32	M10/12/16/20/24	0.9	20	From -16 to 90	Dark Grey/Green	
DLT8-u-12-249-FG-GR	3500	249	41	M10/12/16/20/24	0.9	20	From -16 to 90	Dark Grey/Green	
DLT9-u-12-276-FG-GR	4200	276	40	M10/12/16/20/24	0.9	20	From -16 to 90	Dark Grey/Green	

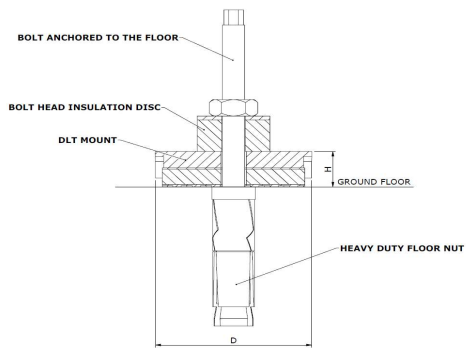


Model	Load Capacity Kg/pc	Diameter (D) mm	Height (H) mm	Possible Bolts	Coeff. of Friction against Concrete	Natural Frequency at Max. Load (Hz)	Temperature Range (°C)	Color	Applications
DLT1-m -55-FG-GR	205	55	21	M10/12/16/20/24	0.7	30	From -16 to 90	Dark Grey/Green	Applications: Lathe Machines, Milling Machines, Grinding Machines, Machining Centres, Turning Centres etc.
DLT2-m -85-FG-GR	440	85	28	M10/12/16/20/24	0.7	30	From -16 to 90	Dark Grey/Green	
DLT3-m -112-FG-GR	790	112	28	M10/12/16/20/24	0.7	30	From -16 to 90	Dark Grey/Green	
DLT4-m -135-FG-GR	1230	135	30	M10/12/16/20/24	0.7	30	From -16 to 90	Dark Grey/Green	
DLT5-m -160-FG-GR	1890	160	30	M10/12/16/20/24	0.7	30	From -16 to 90	Dark Grey/Green	
DLT6-m -185-FG-GR	2350	185	34	M10/12/16/20/24	0.7	30	From -16 to 90	Dark Grey/Green	
DLT7-m -215-FG-GR	3240	215	35	M10/12/16/20/24	0.7	30	From -16 to 90	Dark Grey/Green	

DLT8-m-249-FG-GR	3980	249	44	M10/12/16/20/24	0.7	30	From -16 to 90	Dark Grey/Green
DLT9-m-276-FG-GR	5230	276	43	M10/12/16/20/24	0.7	30	From -16 to 90	Dark Grey/Green



Model	Load Capacity Kg/pc	Diameter (D) mm	Height (H) mm	Possible Bolts	Coeff. of Friction against Concrete	Natural Frequency at Max. Load (Hz)	Temperature Range (°C)	Color	Applications
DLT1-i -55-FG-GR	290	55	31	M10/12/16/20/24	0.8	7	From -16 to 90	Dark Grey/Green	Applications: For Machines with high vertical dynamic forces such as Power Presses, Punching Machines, Stamping Machines, Shearing Machines etc.
DLT2-i -85-FG-GR	620	85	38	M10/12/16/20/24	0.8	7	From -16 to 90	Dark Grey/Green	
DLT3-i -112-FG-GR	1100	112	38	M10/12/16/20/24	0.8	7	From -16 to 90	Dark Grey/Green	
DLT4-i -135-FG-GR	1720	135	40	M10/12/16/20/24	0.8	7	From -16 to 90	Dark Grey/Green	
DLT5-i -160-FG-GR	2640	160	40	M10/12/16/20/24	0.8	7	From -16 to 90	Dark Grey/Green	
DLT6-i -185-FG-GR	3290	185	44	M10/12/16/20/24	0.8	7	From -16 to 90	Dark Grey/Green	
DLT7-i -215-FG-GR	4530	215	45	M10/12/16/20/24	0.8	7	From -16 to 90	Dark Grey/Green	
DLT8-i -249-FG-GR	5570	249	54	M10/12/16/20/24	0.8	7	From -16 to 90	Dark Grey/Green	
DLT9-i -276-FG-GR	7320	276	53	M10/12/16/20/24	0.8	7	From -16 to 90	Dark Grey/Green	



DLT1

DLT3

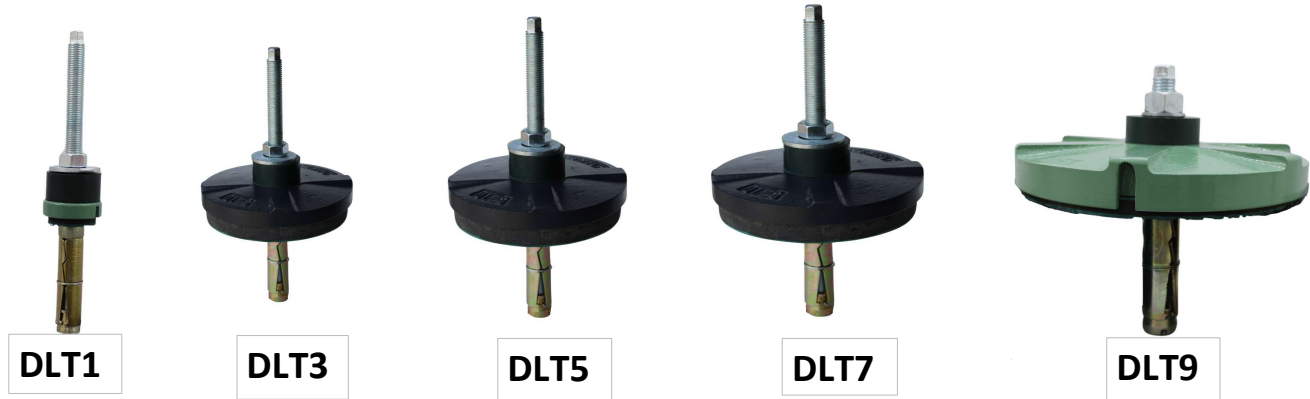
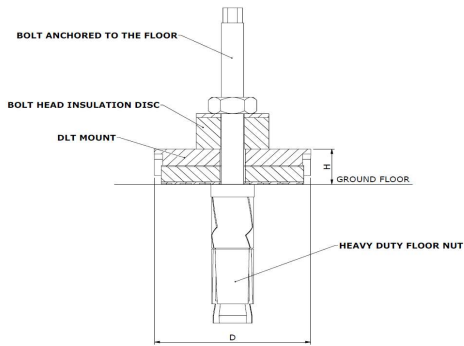
DLT5

DLT7

DLT9

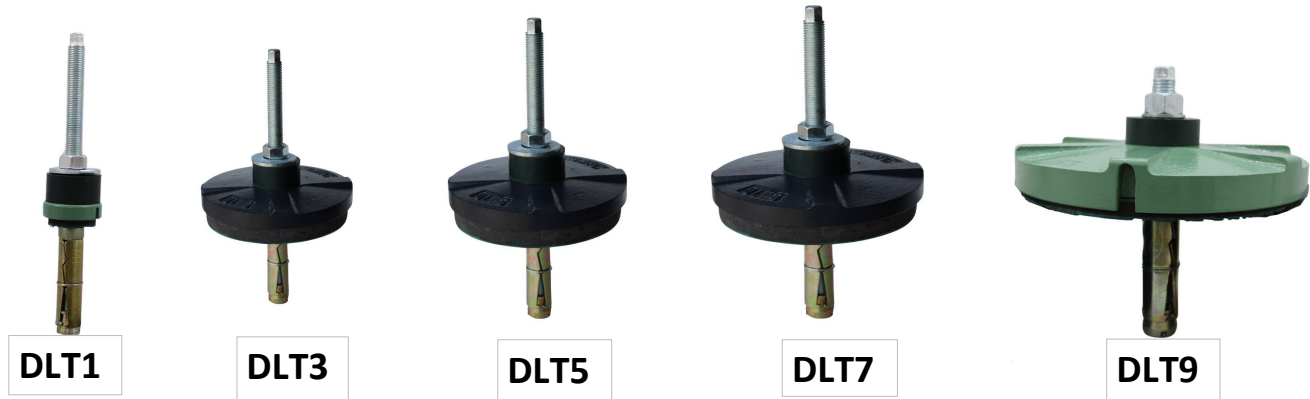
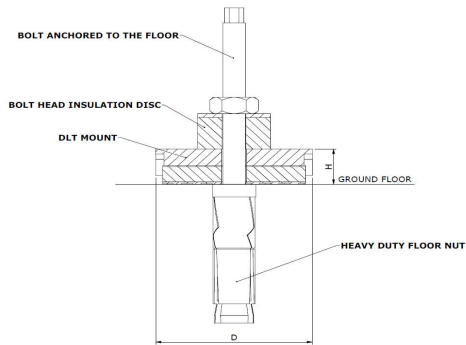
Model	Load Capacity Kg/pc	Diameter (D) mm	Height (H) mm	Possible Bolts	Coeff. of Friction against Concrete	Natural Frequency at Max. Load (Hz)	Temperature Range (°C)	Color	Applications
DLT1-p1 -55-FG-GR	70	55	21	M10/12/16/20/24	0.8	7	From -16 to 90	Dark Grey/Green	Applications: Tuned To Low natural frequency, suitable for passive vibration control of Measuring & Testing Machines, Grinders etc.
DLT2-p1 -85-FG-GR	180	85	28	M10/12/16/20/24	0.8	7	From -16 to 90	Dark Grey/Green	
DLT3-p1 -112-FG-GR	300	112	28	M10/12/16/20/24	0.8	7	From -16 to 90	Dark Grey/Green	
DLT4-p1 -135-FG-GR	490	135	30	M10/12/16/20/24	0.8	7	From -16 to 90	Dark Grey/Green	
DLT5-p1 -160-FG-GR	760	160	30	M10/12/16/20/24	0.8	7	From -16 to 90	Dark Grey/Green	
DLT6-p1 -185-FG-GR	940	185	34	M10/12/16/20/24	0.8	7	From -16 to 90	Dark Grey/Green	
DLT7-p1 -215-FG-GR	1500	215	35	M10/12/16/20/24	0.8	7	From -16 to 90	Dark Grey/Green	
DLT8-p1 -249-FG-GR	1590	249	44	M10/12/16/20/24	0.8	7	From -16 to 90	Dark Grey/Green	
DLT9-p1 -276-FG-GR	2090	276	43	M10/12/16/20/24	0.8	7	From -16 to 90	Dark Grey/Green	
DLT1-p2 -55-FG-GR	100	55	26	M10/12/16/20/24	0.8	12	From -16 to 90	Dark Grey/Green	Applications: Suitable for passive vibration control of measuring & testing machines maintains machines stability along with vibration reduction
DLT2-p2 -85-FG-GR	200	85	33	M10/12/16/20/24	0.8	12	From -16 to 90	Dark Grey/Green	
DLT3-p2 -112-FG-GR	400	112	33	M10/12/16/20/24	0.8	12	From -16 to 90	Dark Grey/Green	
DLT4-p2 -135-FG-GR	600	135	35	M10/12/16/20/24	0.8	12	From -16 to 90	Dark Grey/Green	
DLT5-p2 -160-FG-GR	700	160	35	M10/12/16/20/24	0.8	12	From -16 to 90	Dark Grey/Green	
DLT6-p2 -185-FG-GR	1200	185	39	M10/12/16/20/24	0.8	12	From -16 to 90	Dark Grey/Green	
DLT7-p2 -215-FG-GR	1500	215	40	M10/12/16/20/24	0.8	12	From -16 to 90	Dark Grey/Green	
DLT8-p2 -249-FG-GR	2000	249	49	M10/12/16/20/24	0.8	12	From -16 to 90	Dark Grey/Green	
DLT9-p2 -276-FG-GR	2500	276	48	M10/12/16/20/24	0.8	12	From -16 to 90	Dark Grey/Green	
DLT1-p3 -55-FG-GR	110	55	30	M10/12/16/20/24	0.8	7	From -16 to 90	Dark Grey/Green	
DLT2-p3 -85-FG-GR	270	85	37	M10/12/16/20/24	0.8	7	From -16 to 90	Dark Grey/Green	

DLT3-p3 -112-FG-GR	460	112	37	M10/12/16/20/24	0.8	7	From -16 to 90	Dark Grey/Green	Applications: Tuned To low natural frequency, suitable for both active & passive vibration isolation of metrology and production machines.
DLT4-p3 -135-FG-GR	740	135	39	M10/12/16/20/24	0.8	7	From -16 to 90	Dark Grey/Green	
DLT5-p3 -160-FG-GR	1140	160	39	M10/12/16/20/24	0.8	7	From -16 to 90	Dark Grey/Green	
DLT6-p3 -185-FG-GR	1410	185	43	M10/12/16/20/24	0.8	7	From -16 to 90	Dark Grey/Green	
DLT7-p3 -215-FG-GR	1950	215	44	M10/12/16/20/24	0.8	7	From -16 to 90	Dark Grey/Green	
DLT8-p3 -249-FG-GR	2390	249	53	M10/12/16/20/24	0.8	7	From -16 to 90	Dark Grey/Green	
DLT9-p3 -276-FG-GR	3140	276	52	M10/12/16/20/24	0.8	7	From -16 to 90	Dark Grey/Green	



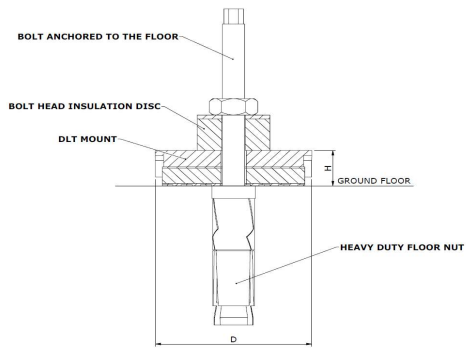
Model	Load Capacity Kg/pc	Diameter (D) mm	Height (H) mm	Possible Bolts	Coeff. of Friction against Concrete	Natural Frequency at Max. Load (Hz)	Temperature Range (°C)	Color	Applications
DLT1-s1 -55-FG-GR	110	55	26	M10/12/16/20/24	0.8	15	From -16 to 90	Dark Grey/Green	Applications: Light Weight Presses, Tool Room Machines, Compressors etc. on Ground Floor as well as upper Floors. Coefficient of Friction 0.8, Natural Frequency range 35 Hz 15 Hz.
DLT2-s1 -85-FG-GR	220	85	33	M10/12/16/20/24	0.8	15	From -16 to 90	Dark Grey/Green	
DLT3-s1 -112-FG-GR	380	112	33	M10/12/16/20/24	0.8	15	From -16 to 90	Dark Grey/Green	
DLT4-s1 -135-FG-GR	620	135	35	M10/12/16/20/24	0.8	15	From -16 to 90	Dark Grey/Green	
DLT5-s1 -160-FG-GR	950	160	35	M10/12/16/20/24	0.8	15	From -16 to 90	Dark Grey/Green	
DLT6-s1 -185-FG-GR	1180	185	39	M10/12/16/20/24	0.8	15	From -16 to 90	Dark Grey/Green	
DLT7-s1 -215-FG-GR	1620	215	40	M10/12/16/20/24	0.8	15	From -16 to 90	Dark Grey/Green	
DLT8-s1 -249-FG-GR	2250	249	49	M10/12/16/20/24	0.8	15	From -16 to 90	Dark Grey/Green	
DLT9-s1 -276-FG-GR	2620	276	48	M10/12/16/20/24	0.8	15	From -16 to 90	Dark Grey/Green	
DLT1-s2 -55-FG-GR	125	55	31	M10/12/16/20/24	0.8	8	From -16 to 90	Dark Grey/Green	Applications: High Vibration Insulation for both active and
DLT2-s2 -85-FG-GR	300	85	38	M10/12/16/20/24	0.8	8	From -16 to 90	Dark Grey/Green	
DLT3-s2 -112-FG-GR	550	112	38	M10/12/16/20/24	0.8	8	From -16 to 90	Dark Grey/Green	

DLT4-s2 -135-FG-GR	850	135	40	M10/12/16/20/24	0.8	8	From -16 to 90	Dark Grey/Green	Application for both active and passive range, Medium Presses, Stamping Macines, also well suited for high speed rotating machines on upper floors .
DLT5-s2 -160-FG-GR	1250	160	40	M10/12/16/20/24	0.8	8	From -16 to 90	Dark Grey/Green	
DLT6-s2 -185-FG-GR	1700	185	44	M10/12/16/20/24	0.8	8	From -16 to 90	Dark Grey/Green	
DLT7-s2 -215-FG-GR	2200	215	45	M10/12/16/20/24	0.8	8	From -16 to 90	Dark Grey/Green	
DLT8-s2 -249-FG-GR	2800	249	54	M10/12/16/20/24	0.8	8	From -16 to 90	Dark Grey/Green	
DLT9-s2 -276-FG-GR	3500	276	53	M10/12/16/20/24	0.8	8	From -16 to 90	Dark Grey/Green	



Model	Load Capacity Kg/pc	Diameter (D) mm	Height (H) mm	Possible Bolts	Coeff. of Friction against Concrete	Natural Frequency at Max. Load (Hz)	Temperature Range (°C)	Color	Applications
DLT1-hs1 -55-FG-GR	410	55	71	M10/12/16/20/24	0.8	6	From -16 to 90	Dark Grey/Green	Applications : Forging Hammers, Heavy Gen Sets, Heavy Industrial machines, Test Rigs, Heavy presses etc.
DLT2-hs1-85-FG-GR	880	85	78	M10/12/16/20/24	0.8	6	From -16 to 90	Dark Grey/Green	
DLT3-hs1 -112-FG-GR	1570	112	78	M10/12/16/20/24	0.8	6	From -16 to 90	Dark Grey/Green	
DLT4-hs1 -135-FG-GR	2450	135	80	M10/12/16/20/24	0.8	6	From -16 to 90	Dark Grey/Green	
DLT5-hs1 -160-FG-GR	3770	160	80	M10/12/16/20/24	0.8	6	From -16 to 90	Dark Grey/Green	
DLT6-hs1 -185-FG-GR	4700	185	84	M10/12/16/20/24	0.8	6	From -16 to 90	Dark Grey/Green	
DLT7-hs1-215-FG-GR	6470	215	85	M10/12/16/20/24	0.8	6	From -16 to 90	Dark Grey/Green	
DLT8-hs1 -249-FG-GR	7950	249	94	M10/12/16/20/24	0.8	6	From -16 to 90	Dark Grey/Green	
DLT9-hs1 -276-FG-GR	10450	276	93	M10/12/16/20/24	0.8	6	From -16 to 90	Dark Grey/Green	
DLT1-hs2 -55-FG-GR	160	55	71	M10/12/16/20/24	0.8	4	From -16 to 90	Dark Grey/Green	Applications : Forging Hammers, Heavy Gen Sets,
DLT2-hs2 -85-FG-GR	350	85	78	M10/12/16/20/24	0.8	4	From -16 to 90	Dark Grey/Green	
DLT3-hs2-112-FG-GR	630	112	78	M10/12/16/20/24	0.8	4	From -16 to 90	Dark Grey/Green	
DLT4-hs2 -135-FG-GR	780	135	80	M10/12/16/20/24	0.8	4	From -16 to 90	Dark Grey/Green	

DLT5-hs2 -160-FG-GR	1510	160	80	M10/12/16/20/24	0.8	4	From -16 to 90	Dark Grey/Green	Heavy Industrial machines, Test Rigs, Heavy presses, crushers etc.
DLT6-hs2 -185-FG-GR	1880	185	84	M10/12/16/20/24	0.8	4	From -16 to 90	Dark Grey/Green	
DLT7-hs2-215-FG-GR	2590	215	85	M10/12/16/20/24	0.8	4	From -16 to 90	Dark Grey/Green	
DLT8-hs2 -249-FG-GR	3180	249	94	M10/12/16/20/24	0.8	4	From -16 to 90	Dark Grey/Green	
DLT9-hs2 -276-FG-GR	4180	276	93	M10/12/16/20/24	0.8	4	From -16 to 90	Dark Grey/Green	
DLT1-hs3 -55-FG-GR	570	55	56	M10/12/16/20/24	0.8	7	From -16 to 90	Dark Grey/Green	Applications : Forging Hammers, Heavy Gen Sets, Heavy Industrial machines, Test Rigs, Heavy presses etc.
DLT2-hs3 -85-FG-GR	1240	85	63	M10/12/16/20/24	0.8	7	From -16 to 90	Dark Grey/Green	
DLT3-hs3 -112-FG-GR	2200	112	63	M10/12/16/20/24	0.8	7	From -16 to 90	Dark Grey/Green	
DLT4-hs3 -135-FG-GR	3440	135	65	M10/12/16/20/24	0.8	7	From -16 to 90	Dark Grey/Green	
DLT5-hs3 -160-FG-GR	5280	160	65	M10/12/16/20/24	0.8	7	From -16 to 90	Dark Grey/Green	
DLT6-hs3 -185-FG-GR	6580	185	69	M10/12/16/20/24	0.8	7	From -16 to 90	Dark Grey/Green	
DLT7-hs3 -215-FG-GR	9060	215	70	M10/12/16/20/24	0.8	7	From -16 to 90	Dark Grey/Green	
DLT8-hs3 -249-FG-GR	11130	249	79	M10/12/16/20/24	0.8	7	From -16 to 90	Dark Grey/Green	
DLT9-hs3 -276-FG-GR	14640	276	78	M10/12/16/20/24	0.8	7	From -16 to 90	Dark Grey/Green	
DLT1-hs4 -55-FG-GR	245	55	56	M10/12/16/20/24	0.8	5	From -16 to 90	Dark Grey/Green	Applications : Forging Hammers, Heavy Gen Sets, Heavy Industrial machines, Test Rigs, Heavy presses, crushers etc.
DLT2-hs4 -85-FG-GR	530	85	63	M10/12/16/20/24	0.8	5	From -16 to 90	Dark Grey/Green	
DLT3-hs4 -112-FG-GR	940	112	63	M10/12/16/20/24	0.8	5	From -16 to 90	Dark Grey/Green	
DLT4-hs4 -135-FG-GR	1470	135	65	M10/12/16/20/24	0.8	5	From -16 to 90	Dark Grey/Green	
DLT5-hs4 -160-FG-GR	2270	160	65	M10/12/16/20/24	0.8	5	From -16 to 90	Dark Grey/Green	
DLT6-hs4 -185-FG-GR	2820	185	69	M10/12/16/20/24	0.8	5	From -16 to 90	Dark Grey/Green	
DLT7-hs4 -215-FG-GR	3880	215	70	M10/12/16/20/24	0.8	5	From -16 to 90	Dark Grey/Green	
DLT8-hs4 -249-FG-GR	4770	249	79	M10/12/16/20/24	0.8	5	From -16 to 90	Dark Grey/Green	
DLT9-hs4 -276-FG-GR	6270	276	78	M10/12/16/20/24	0.8	5	From -16 to 90	Dark Grey/Green	
DLT1-hs5 -55-FG-GR	570	55	86	M10/12/16/20/24	0.8	5	From -16 to 90	Dark Grey/Green	Applications : Forging Hammers, Heavy Gen Sets, Heavy Industrial machines, Test Rigs, Heavy presses etc.
DLT2-hs5 -85-FG-GR	1240	85	93	M10/12/16/20/24	0.8	5	From -16 to 90	Dark Grey/Green	
DLT3-hs5 -112-FG-GR	2200	112	93	M10/12/16/20/24	0.8	5	From -16 to 90	Dark Grey/Green	
DLT4-hs5 -135-FG-GR	3440	135	95	M10/12/16/20/24	0.8	5	From -16 to 90	Dark Grey/Green	
DLT5-hs5 -160-FG-GR	5280	160	95	M10/12/16/20/24	0.8	5	From -16 to 90	Dark Grey/Green	
DLT6-hs5 -185-FG-GR	6580	185	99	M10/12/16/20/24	0.8	5	From -16 to 90	Dark Grey/Green	
DLT7-hs5 -215-FG-GR	9060	215	100	M10/12/16/20/24	0.8	5	From -16 to 90	Dark Grey/Green	
DLT8-hs5 -249-FG-GR	11130	249	109	M10/12/16/20/24	0.8	5	From -16 to 90	Dark Grey/Green	
DLT9-hs5 -276-FG-GR	14640	276	108	M10/12/16/20/24	0.8	5	From -16 to 90	Dark Grey/Green	



Model	Load Capacity Kg/pc	Diameter (D) mm	Height (H) mm	Possible Bolts	Coeff. of Friction against Concrete	Natural Frequency at Max. Load (Hz)	Temperature Range (°C)	Color	Applications
DLT1-h -55-FG-GR	610	55	21	M10/12/16/20/24	0.6	45	From -16 to 90	Dark Grey/Green	Applications : Very Heavy and long bed machines, long machining centres, planners etc.
DLT2-h -85-FG-GR	1330	85	28	M10/12/16/20/24	0.6	45	From -16 to 90	Dark Grey/Green	
DLT3-h -112-FG-GR	2360	112	28	M10/12/16/20/24	0.6	45	From -16 to 90	Dark Grey/Green	
DLT4-h -135-FG-GR	3680	135	30	M10/12/16/20/24	0.6	45	From -16 to 90	Dark Grey/Green	
DLT5-h -160-FG-GR	5660	160	30	M10/12/16/20/24	0.6	45	From -16 to 90	Dark Grey/Green	
DLT6-h -185-FG-GR	7050	185	34	M10/12/16/20/24	0.6	45	From -16 to 90	Dark Grey/Green	
DLT7-h -215-FG-GR	9700	215	35	M10/12/16/20/24	0.6	45	From -16 to 90	Dark Grey/Green	
DLT8-h -249-FG-GR	11930	249	44	M10/12/16/20/24	0.6	45	From -16 to 90	Dark Grey/Green	
DLT9-h -276-FG-GR	15680	276	43	M10/12/16/20/24	0.6	45	From -16 to 90	Dark Grey/Green	