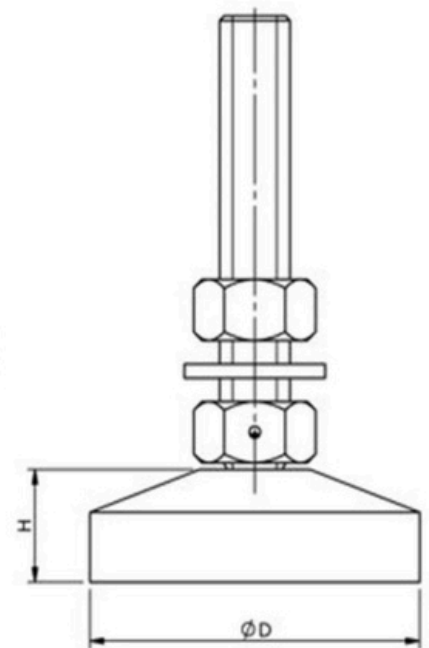
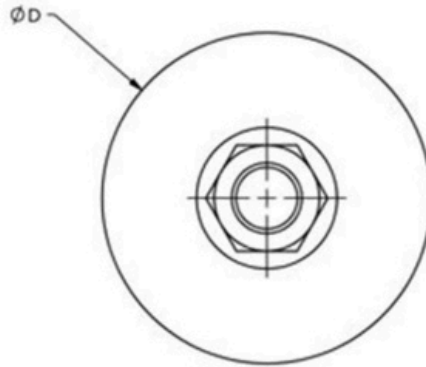


**D Y N E M E C H**  
**L E V E L L I N G   M O U N T S**  
**D L M - P M**



S.no	Model	Bolt Dia	Bolt Height	Base Material	Base Dia	Base Thk.	Base option 2
1.	DLM-PM-80-M10x100	10	100	Polyamide	80	10	Swivel
2.	DLM-PM-80-M12x100	12	100	Polyamide	80	10	Swivel
3.	DLM-PM-80-M16x100	16	100	Polyamide	80	10	Swivel
4.	DLM-PM-80-M16x120	16	120	Polyamide	80	10	Swivel