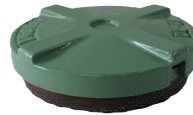


DL1



DL3



DL5



DL7



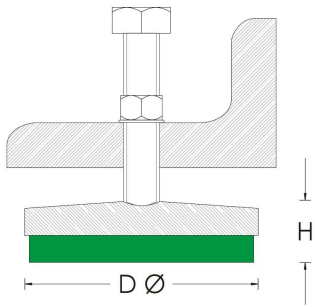
DL9

Dynemech DL series is used for light to medium weight machines suited to levelling screw support or having tapped hole in the base Machine levelling.

Note :- Please confirm the Dimple size as per the bolt size in the machine base.

Model	Load Capacity Kg/pc	Diameter (D) mm	Height (H) mm	Coeff. of Friction against Concrete	Natural Frequency at Max. Load (Hz)	Temperature Range (°C)	Color	Applications
DL1-u-55-FG	150	55	21	0.9	18	From -16 to 90	Dark Grey	Applications: Tool Room Machines, Plastic Injection Moulding Machines, Pressure Die Casting Machines, Printing and Textile Machines (For machines having high axial forces.)
DL2-u-85-FG	350	85	28	0.9	18	From -16 to 90	Dark Grey	
DL3-u-112-FG	600	112	28	0.9	18	From -16 to 90	Dark Grey	
DL4-u-135-FG	900	135	30	0.9	18	From -16 to 90	Dark Grey	
DL5-u-160-FG	1400	160	30	0.9	18	From -16 to 90	Dark Grey	
DL6-u-185-FG	1900	185	34	0.9	18	From -16 to 90	Dark Grey	
DL7-u-215-FG	2500	215	35	0.9	18	From -16 to 90	Dark Grey	
DL8-u-249-FG	3500	249	44	0.9	18	From -16 to 90	Dark Grey	
DL9-u-276-FG	4200	276	43	0.9	18	From -16 to 90	Dark Grey	

DL1-u-10-55-FG	150	55	16	0.9	25	From -16 to 90	Dark Grey	Applications: Tool Room Machines, Plastic Injection Moulding Machines, Pressure Die Casting Machines, Printing and Textile Machines (For machines having high axial forces.)
DL2-u-10-85-FG	350	85	23	0.9	25	From -16 to 90	Dark Grey	
DL3-u-10-112-FG	600	112	23	0.9	25	From -16 to 90	Dark Grey	
DL4-u-10-135-FG	900	135	25	0.9	25	From -16 to 90	Dark Grey	
DL5-u-10-160-FG	1400	160	25	0.9	25	From -16 to 90	Dark Grey	
DL6-u-10-185-FG	1900	185	29	0.9	25	From -16 to 90	Dark Grey	
DL7-u-10-215-FG	2500	215	30	0.9	25	From -16 to 90	Dark Grey	
DL8-u-10-249-FG	3500	249	39	0.9	25	From -16 to 90	Dark Grey	
DL9-u-10-276-FG	4200	276	38	0.9	25	From -16 to 90	Dark Grey	
DL1-u-12-55-FG	150	55	18	0.9	20	From -16 to 90	Dark Grey	Applications: Tool Room Machines, Plastic Injection Moulding Machines, Pressure Die Casting Machines, Shaper, Printing and Textile Machines (For machines having high axial forces.)
DL2-u-12-85-FG	350	85	25	0.9	20	From -16 to 90	Dark Grey	
DL3-u-12-112-FG	600	112	25	0.9	20	From -16 to 90	Dark Grey	
DL4-u-12-135-FG	900	135	27	0.9	20	From -16 to 90	Dark Grey	
DL5-u-12-160-FG	1400	160	27	0.9	20	From -16 to 90	Dark Grey	
DL6-u-12-185-FG	1900	185	31	0.9	20	From -16 to 90	Dark Grey	
DL7-u-12-215-FG	2500	215	32	0.9	20	From -16 to 90	Dark Grey	
DL8-u-12-249-FG	3500	249	41	0.9	20	From -16 to 90	Dark Grey	
DL9-u-12-276-FG	4200	276	40	0.9	20	From -16 to 90	Dark Grey	



DL1



DL3



DL5

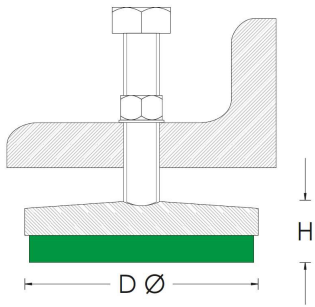


DL7



DL9

Model	Load Capacity Kg/pc	Diameter (D) mm	Height (H) mm	Coeff. of Friction against Concrete	Natural Frequency at Max. Load (Hz)	Temperature Range (°C)	Color	Applications
DL1-m-55-FG	190	55	21	0.7	30	From -16 to 90	Dark Grey	Applications: Lathe Machines, Milling Machines, Grinding Machines, Machining Centres, Turning Centres etc.
DL2-m-85-FG	450	85	28	0.7	30	From -16 to 90	Dark Grey	
DL3-m-112-FG	800	112	28	0.7	30	From -16 to 90	Dark Grey	
DL4-m-135-FG	1150	135	30	0.7	30	From -16 to 90	Dark Grey	
DL5-m-160-FG	1750	160	30	0.7	30	From -16 to 90	Dark Grey	
DL6-m-185-FG	2400	185	34	0.7	30	From -16 to 90	Dark Grey	
DL7-m-215-FG	3200	215	35	0.7	30	From -16 to 90	Dark Grey	
DL8-m-249-FG	4000	249	44	0.7	30	From -16 to 90	Dark Grey	
DL9-m-276-FG	5000	276	43	0.7	30	From -16 to 90	Dark Grey	



DL1



DL3



DL5

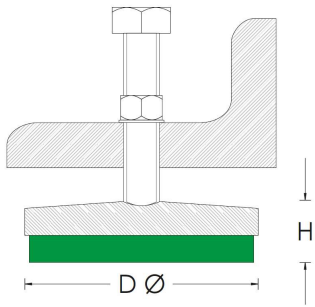


DL7



DL9

Model	Load Capacity Kg/pc	Diameter (D) mm	Height (H) mm	Coeff. of Friction against Concrete	Natural Frequency at Max. Load (Hz)	Temperature Range (°C)	Color	Applications
DL1-I-55-FG	250	55	31	0.8	7	From -16 to 90	Dark Grey	Applications: For Machines with high vertical dynamic forces such as Power Presses, Punching Machines, Stamping Machines, Shearing Machines etc.
DL2-I-85-FG	575	85	38	0.8	7	From -16 to 90	Dark Grey	
DL3-I-112-FG	1000	112	38	0.8	7	From -16 to 90	Dark Grey	
DL4-I-135-FG	1600	135	40	0.8	7	From -16 to 90	Dark Grey	
DL5-I-160-FG	2300	160	40	0.8	7	From -16 to 90	Dark Grey	
DL6-I-185-FG	3100	185	44	0.8	7	From -16 to 90	Dark Grey	
DL7-I-215-FG	4000	215	45	0.8	7	From -16 to 90	Dark Grey	
DL8-I-249-FG	5200	249	54	0.8	7	From -16 to 90	Dark Grey	
DL9-I-276-FG	6500	276	53	0.8	7	From -16 to 90	Dark Grey	



DL1



DL3



DL5



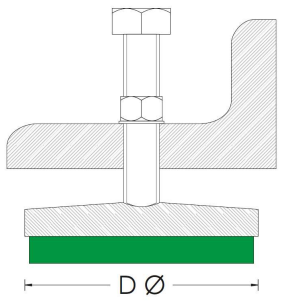
DL7



DL9

Model	Load Capacity Kg/pc	Diameter (D) mm	Height (H) mm	Coeff. of Friction against Concrete	Natural Frequency at Max. Load (Hz)	Temperature Range (°C)	Color	Applications
DL1-p1-55-FG	75	55	21	0.8	7	From -16 to 90	Dark Grey	Applications: Tuned To Low natural frequency, suitable for passive vibration control of Measuring & Testing Machines, Grinders etc.
DL2-p1-85-FG	175	85	28	0.8	7	From -16 to 90	Dark Grey	
DL3-p1-112-FG	300	112	28	0.8	7	From -16 to 90	Dark Grey	
DL4-p1-135-FG	500	135	30	0.8	7	From -16 to 90	Dark Grey	
DL5-p1-160-FG	700	160	30	0.8	7	From -16 to 90	Dark Grey	
DL6-p1-185-FG	950	185	34	0.8	7	From -16 to 90	Dark Grey	
DL7-p1-215-FG	1250	215	35	0.8	7	From -16 to 90	Dark Grey	
DL8-p1-249-FG	1500	249	44	0.8	7	From -16 to 90	Dark Grey	
DL9-p1-276-FG	1900	276	43	0.8	7	From -16 to 90	Dark Grey	
DL1-p2-55-FG	80	55	26	0.8	12	From -16 to 90	Dark Grey	Applications: Suitable for passive vibration control of
DL2-p2-85-FG	220	85	33	0.8	12	From -16 to 90	Dark Grey	
DL3-p2-112-FG	410	112	33	0.8	12	From -16 to 90	Dark Grey	
DL4-p2-135-FG	620	135	35	0.8	12	From -16 to 90	Dark Grey	

DL5-p2-160-FG	900	160	35	0.8	12	From -16 to 90	Dark Grey	measuring & testing machines maintains machines stability along with vibration reduction.
DL6-p2-185-FG	1200	185	39	0.8	12	From -16 to 90	Dark Grey	
DL7-p2-215-FG	1600	215	40	0.8	12	From -16 to 90	Dark Grey	
DL8-p2-249-FG	2000	249	49	0.8	12	From -16 to 90	Dark Grey	
DL9-p2-276-FG	2600	276	48	0.8	12	From -16 to 90	Dark Grey	
DL1-p3-55-FG	95	55	30	0.8	7	From -16 to 90	Dark Grey	Applications: Tuned To low natural frequency, suitable for both active & passive vibration isolation of metrology and production machines.
DL2-p3-85-FG	270	85	37	0.8	7	From -16 to 90	Dark Grey	
DL3-p3-112-FG	490	112	37	0.8	7	From -16 to 90	Dark Grey	
DL4-p3-135-FG	740	135	39	0.8	7	From -16 to 90	Dark Grey	
DL5-p3-160-FG	1060	160	39	0.8	7	From -16 to 90	Dark Grey	
DL6-p3-185-FG	1400	185	43	0.8	7	From -16 to 90	Dark Grey	
DL7-p3-215-FG	1950	215	44	0.8	7	From -16 to 90	Dark Grey	
DL8-p3-249-FG	2400	249	53	0.8	7	From -16 to 90	Dark Grey	
DL9-p3-276-FG	3150	276	52	0.8	7	From -16 to 90	Dark Grey	



DL1



DL3



DL5

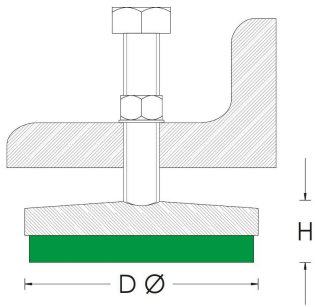


DL7



DL9

Model	Load Capacity Kg/pc	Diameter (D) mm	Height (H) mm	Coeff. of Friction against Concrete	Natural Frequency at Max. Load (Hz)	Temperature Range (°C)	Color	Applications
DL1-s1-55-FG	80	55	26	0.8	15	From -16 to 90	Dark Grey	Applications: Light Weight Presses, Tool Room Machines, Compressors etc. on Ground Floor as well as upper Floors.
DL2-s1-85-FG	200	85	33	0.8	15	From -16 to 90	Dark Grey	
DL3-s1-112-FG	375	112	33	0.8	15	From -16 to 90	Dark Grey	
DL4-s1-135-FG	575	135	35	0.8	15	From -16 to 90	Dark Grey	
DL5-s1-160-FG	800	160	35	0.8	15	From -16 to 90	Dark Grey	
DL6-s1-185-FG	1100	185	39	0.8	15	From -16 to 90	Dark Grey	
DL7-s1-215-FG	1500	215	40	0.8	15	From -16 to 90	Dark Grey	
DL8-s1-249-FG	1900	249	49	0.8	15	From -16 to 90	Dark Grey	
DL9-s1-276-FG	2400	276	48	0.8	15	From -16 to 90	Dark Grey	
DL1-s2-55-FG	125	55	31	0.8	8	From -16 to 90	Dark Grey	Applications: High Vibration Insulation for both active and passive range, Medium Presses, Stamping Macines, also well suited for high speed rotating machines on upper floors .
DL2-s2-85-FG	300	85	38	0.8	8	From -16 to 90	Dark Grey	
DL3-s2-112-FG	550	112	38	0.8	8	From -16 to 90	Dark Grey	
DL4-s2-135-FG	850	135	40	0.8	8	From -16 to 90	Dark Grey	
DL5-s2-160-FG	1250	160	40	0.8	8	From -16 to 90	Dark Grey	
DL6-s2-185-FG	1700	185	44	0.8	8	From -16 to 90	Dark Grey	
DL7-s2-215-FG	2200	215	45	0.8	8	From -16 to 90	Dark Grey	
DL8-s2-249-FG	2800	249	54	0.8	8	From -16 to 90	Dark Grey	
DL9-s2-276-FG	3500	276	53	0.8	8	From -16 to 90	Dark Grey	



DL1



DL3



DL5



DL7

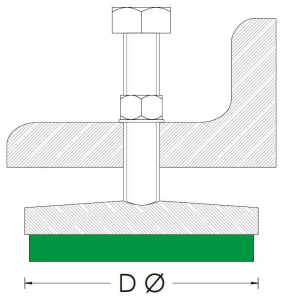


DL9

Model	Load Capacity Kg/pc	Diameter (D) mm	Height (H) mm	Coeff. of Friction against Concrete	Natural Frequency at Max. Load (Hz)	Temperature Range (°C)	Color	Applications
DL1-hs1-55-FG	300	55	71	0.8	6	From -16 to 90	Dark Grey	Applications : Forging Hammers, Heavy Gen Sets, Heavy Industrial machines, Test Rigs, Heavy presses etc.
DL2-hs1-85-FG	880	85	78	0.8	6	From -16 to 90	Dark Grey	
DL3-hs1-112-FG	1630	112	78	0.8	6	From -16 to 90	Dark Grey	
DL4-hs1-135-FG	2450	135	80	0.8	6	From -16 to 90	Dark Grey	
DL5-hs1-160-FG	3530	160	80	0.8	6	From -16 to 90	Dark Grey	
DL6-hs1-185-FG	4750	185	84	0.8	6	From -16 to 90	Dark Grey	
DL7-hs1-215-FG	6470	215	85	0.8	6	From -16 to 90	Dark Grey	
DL8-hs1-249-FG	7950	249	94	0.8	6	From -16 to 90	Dark Grey	
DL9-hs1-276-FG	10450	276	93	0.8	6	From -16 to 90	Dark Grey	
DL1-hs2-55-FG	120	55	71	0.8	4	From -16 to 90	Dark Grey	Applications : Forging Hammers. Heavv Gen Sets.
DL2-hs2-85-FG	350	85	78	0.8	4	From -16 to 90	Dark Grey	
DL3-hs2-112-FG	650	112	78	0.8	4	From -16 to 90	Dark Grey	
DL4-hs2-135-FG	980	135	80	0.8	4	From -16 to 90	Dark Grey	

DL5-hs2-160-FG	1410	160	80	0.8	4	From -16 to 90	Dark Grey	Hammers, Heavy Gen Sets, Heavy Industrial machines, Test Rigs, Heavy presses, crushers etc.
DL6-hs2-185-FG	1900	185	84	0.8	4	From -16 to 90	Dark Grey	
DL7-hs2-215-FG	2590	215	85	0.8	4	From -16 to 90	Dark Grey	
DL8-hs2-249-FG	3180	249	94	0.8	4	From -16 to 90	Dark Grey	
DL9-hs2-276-FG	4180	276	93	0.8	4	From -16 to 90	Dark Grey	
DL1-hs3-55-FG	430	55	56	0.8	7	From -16 to 90	Dark Grey	Applications : Forging Hammers, Heavy Gen Sets, Heavy Industrial machines, Test Rigs, Heavy presses etc.
DL2-hs3-85-FG	1240	85	63	0.8	7	From -16 to 90	Dark Grey	
DL3-hs3-112-FG	2290	112	63	0.8	7	From -16 to 90	Dark Grey	
DL4-hs3-135-FG	3440	135	65	0.8	7	From -16 to 90	Dark Grey	
DL5-hs3-160-FG	4950	160	65	0.8	7	From -16 to 90	Dark Grey	
DL6-hs3-185-FG	6500	185	69	0.8	7	From -16 to 90	Dark Grey	
DL7-hs3-215-FG	9070	215	70	0.8	7	From -16 to 90	Dark Grey	
DL8-hs3-249-FG	11140	249	79	0.8	7	From -16 to 90	Dark Grey	
DL9-hs3-276-FG	17870	276	78	0.8	7	From -16 to 90	Dark Grey	
DL1-hs4-55-FG	180	55	56	0.8	5	From -16 to 90	Dark Grey	Applications : Forging Hammers, Heavy Gen Sets, Heavy Industrial machines, Test Rigs, Heavy presses, crushers etc.
DL2-hs4-85-FG	530	85	63	0.8	5	From -16 to 90	Dark Grey	
DL3-hs4-112-FG	980	112	63	0.8	5	From -16 to 90	Dark Grey	
DL4-hs4-135-FG	1470	135	65	0.8	5	From -16 to 90	Dark Grey	
DL5-hs4-160-FG	2120	160	65	0.8	5	From -16 to 90	Dark Grey	
DL6-hs4-185-FG	2850	185	69	0.8	5	From -16 to 90	Dark Grey	
DL7-hs4-215-FG	3880	215	70	0.8	5	From -16 to 90	Dark Grey	
DL8-hs4-249-FG	4770	249	79	0.8	5	From -16 to 90	Dark Grey	
DL9-hs4-276-FG	6270	276	78	0.8	5	From -16 to 90	Dark Grey	

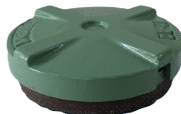
DL1-hs5-55-FG	430	55	86	0.8	5	From -16 to 90	Dark Grey	Applications : Forging Hammers, Heavy Gen Sets, Heavy Industrial machines, Test Rigs, Heavy presses etc.
DL2-hs5-85-FG	1240	85	93	0.8	5	From -16 to 90	Dark Grey	
DL3-hs5-112-FG	2290	112	93	0.8	5	From -16 to 90	Dark Grey	
DL4-hs5-135-FG	3440	135	95	0.8	5	From -16 to 90	Dark Grey	
DL5-hs5-160-FG	4950	160	95	0.8	5	From -16 to 90	Dark Grey	
DL6-hs5-185-FG	6500	185	99	0.8	5	From -16 to 90	Dark Grey	
DL7-hs5-215-FG	9070	215	100	0.8	5	From -16 to 90	Dark Grey	
DL8-hs5-249-FG	11140	249	109	0.8	5	From -16 to 90	Dark Grey	
DL9-hs5-276-FG	17870	276	108	0.8	5	From -16 to 90	Dark Grey	



DL1



DL3



DL5



DL7



DL9

Model	Load Capacity Kg/pc	Diameter (D) mm	Height (H) mm	Coeff. of Friction against Concrete	Natural Frequency at Max. Load (Hz)	Temperature Range (°C)	Color	Applications
DL1-h-55-FG	460	55	21	0.6	45	From -16 to 90	Dark Grey	Applications : Very Heavy
DL2-h-85-FG	1330	85	28	0.6	45	From -16 to 90	Dark Grey	
DL3-h-112-FG	2450	112	28	0.6	45	From -16 to 90	Dark Grey	
DL4-h-135-FG	3680	135	30	0.6	45	From -16 to 90	Dark Grey	

DL5-h-160-FG	5300	160	30	0.6	45	From -16 to 90	Dark Grey	and long bed machines, long machining centres, planners etc.
DL6-h-185-FG	7140	185	34	0.6	45	From -16 to 90	Dark Grey	
DL7-h-215-FG	9700	215	35	0.6	45	From -16 to 90	Dark Grey	
DL8-h-249-FG	11930	249	44	0.6	45	From -16 to 90	Dark Grey	
DL9-h-276-FG	15690	276	43	0.6	45	From -16 to 90	Dark Grey	