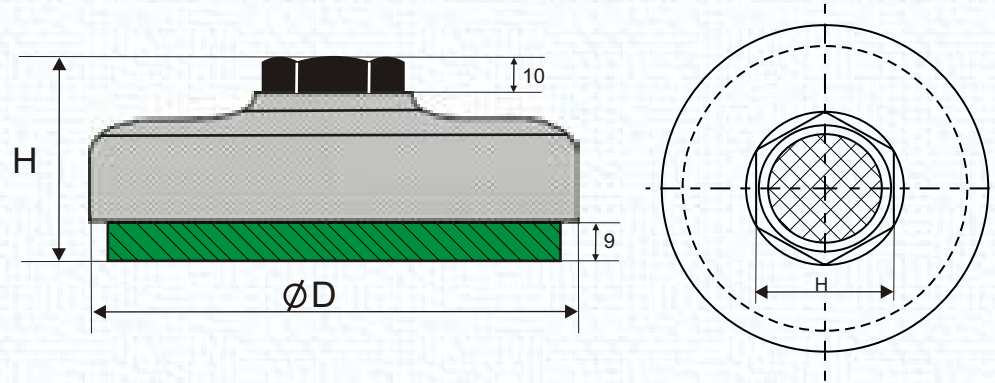


SCREW SUPPORT MOUNTS, Series DJM



Series-DJM

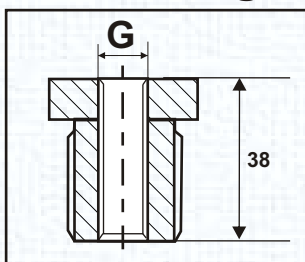


Dynemech provides isolation solutions for various machines and mounting conditions. The Dynemech Jack mounts provide effective vibration isolation. The Dynemech Jack Mounts also provide for high machine leveling capabilities. The exchangeable sockets below provide for many designs as per customers requirements. These jack mounts provide high load capacity and best level stability. The bottom design provides for non-skid properties for the Jack Mount. The Jack mount provide very good passive vibration isolation.

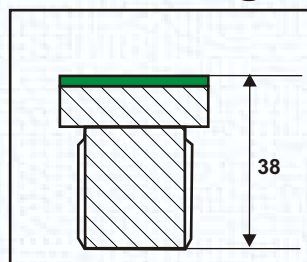
Applications: Machine Tools, Textile Machine, Graphics machines, Planners etc.

Model	Load Kg/pc	Height (H) mm	Dia (D) (mm)	G (mm)	HEX (H) (mm)
DJM-0	850 Kg	49	90	M20x2.5 (Length 38mm)	46
DJM-1	1500 Kg	49	120	M20x2.5 (Length 38mm)	46
DJM-2	2500 Kg	49	160	M20x2.5 (Length 38mm)	62

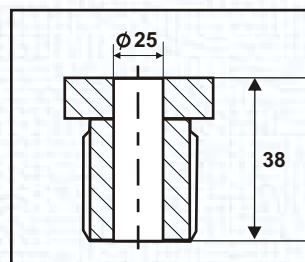
Interchangeable Leveling Socket



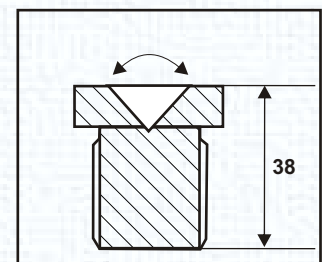
Adapter with M20x2.5 Inner Thread and M40x2 External Thread



Leveling socket with anti-skid pad



Bolt-through 25mm diameter bore



Countersink as per customer requirement and bolt profile

Note: Please mention type of socket required at the time of ordering.